

Think Automation and beyond...

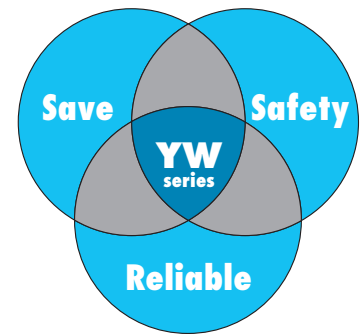


# Ø22mm YW Series Control Units With Metal Bezels



IDEC CORPORATION

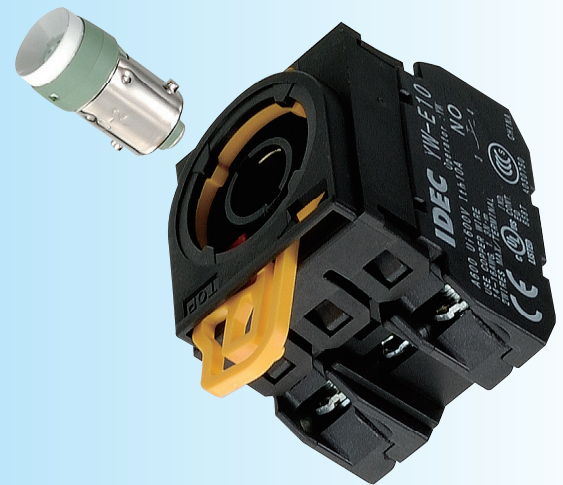
# New Metal Bezels Add Style to the Control Panel



## Pushbuttons



## Illuminated Pushbuttons



## Selector Switches



New metal bezels are now available for the YW series push-buttons, illuminated pushbuttons, and selector switches.

Additional models expand options to choose from, yet maintain the original YW series features. Approvals and dimensions are the same as the original plastic bezel models.

- Three slim 10-mm-thick contact blocks can mount on one deck behind the operator, reducing depth of behind the panel.
- Self-cleaning wiping contacts have scored contact surfaces to increase reliability.
- Integrated finger-safe terminal cover  
Degree of protection: IP20 (terminal)  
IP65 (from panel front)
- The innovative plastic locking lever is retained and eliminates the need for a separate lever lock.

# Ø22 YW Series Control Units with Metal Bezels

## Space-saving, 10-mm-thick contact blocks Removable operator

- Compact and light-weight
- IP20 finger-safe screw terminals (IEC 60529)
- Separate contact blocks make installation and removal easy.
- Matted-surface buttons, lenses, and bezels reduce reflection of ambient light.
- UL, c-UL listed, EN compliant, and CCC approved.



- UL508, CSA C22.2 No. 14, EN 60947-1, EN 60947-5-1, GB 14048. 5



### Contact Ratings (Contact Block)

|                          |                        |      |      |       |      |
|--------------------------|------------------------|------|------|-------|------|
| Rated Insulation Voltage |                        | 600V |      |       |      |
| Rated Thermal Current    |                        | 10A  |      |       |      |
| Operating Voltage        |                        | 24V  | 120V | 240V  | 380V |
| AC<br>50/60 Hz           | Resistive Load (AC-12) | 10A  | 10A  | 6A    | 2A   |
|                          | Inductive Load (AC-15) | 10A  | 6A   | 3A    | 1.9A |
| DC                       | Resistive Load (DC-12) | 8A   | 2.2A | 1.1A  | —    |
|                          | Inductive Load (DC-13) | 4A   | 1.1A | 0.55A | —    |

### LED Lamp Ratings

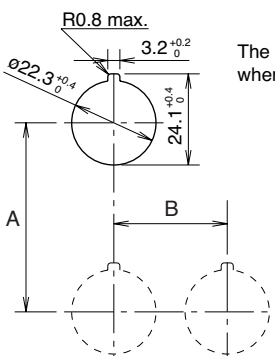
| Type No. | Rated Voltage  | Rated Current                       | Color Code   |
|----------|----------------|-------------------------------------|--|
| LSED-6②  | 6V AC/DC       | 10 mA (A, R, Y)<br>7 mA (G, PW, S)  | A: amber<br>G: green<br>PW: pure white<br>R: red<br>S: blue<br>Y: yellow |
| LSED-1②  | 12V AC/DC      | 14 mA (A, R, Y)<br>13 mA (G, PW, S) |  |
| LSED-2②  | 24V AC/DC      | 14 mA (A, R, Y)<br>13 mA (G, PW, S) |  |
| LSED-H②  | 110V AC/DC     | 5.5 mA                              |  |
| LSED-M3② | 230/240V AC/DC | 2.7 mA                              |  |

Note: Specify a color code in place of ② in the Type No.  
Yellow LED lamps are used for white illumination of illuminated pushbuttons.

### Incandescent Lamp Ratings

| Type No. | Rated Voltage | Ratings |
|----------|---------------|---------|
| LS-T6    | 6V AC/DC      | 6.3V 1W |
| LS-T8    | 12V AC/DC     | 18V 1W  |
| LS-T3    | 24V AC/DC     | 30V 1W  |

### Mounting Hole Layout



The 3.2-mm-wide key recess is necessary when the anti-rotation ring is used.

| Unit                | A (mm)     | B (mm)     |
|---------------------|------------|------------|
| Pushbutton          | 50 minimum | 30 minimum |
| Selector switch     | 50 minimum | 40 minimum |
| Mushroom pushbutton | 50 minimum | 40 minimum |




Note: Keep a minimum spacing of 50 mm when using a lamp of over 1W.

### Specifications

|                                      |   |
|--------------------------------------|---|
| Operating Temperature                | -20 to +55°C (no freezing)  |
| Operating Humidity                   | 45 to 85% RH (no condensation)  |
| Storage Temperature                  | -45 to +80°C  |
| Storage Humidity                     | 95% RH maximum  |
| Degree of Protection                 | From panel front: IP65 (IEC 60529)<br>Terminal: IP20 (IEC 60529)  |
| Insulation Resistance                | 100 MΩ  |
| Dielectric Strength                  | Contact block: 2,500V, 1 minute<br>Pilot light: 2,000V, 1 minute  |
| Vibration Resistance                 | Operating extremes: 5 to 55 Hz, amplitude 0.5 mm<br>Damage limits: 30 Hz, amplitude 1.5 mm  |
| Shock Resistance                     | Operating extremes: 100 m/s <sup>2</sup> (10G)<br>Damage limits: 1,000 m/s <sup>2</sup> (100G)  |
| Mechanical Life (minimum operations) | <Pushbuttons and illuminated pushbuttons><br>Momentary: 5,000,000 (single contact block)<br>1,000,000 (double contact block)<br>Maintained: 250,000 (single contact block)<br>100,000 (double contact block)<br><Selector switches><br>250,000 (single contact block)<br>100,000 (double contact block) |
| Electrical Life (minimum operations) | 100,000 (single contact block)<br>50,000 (double contact block)   |

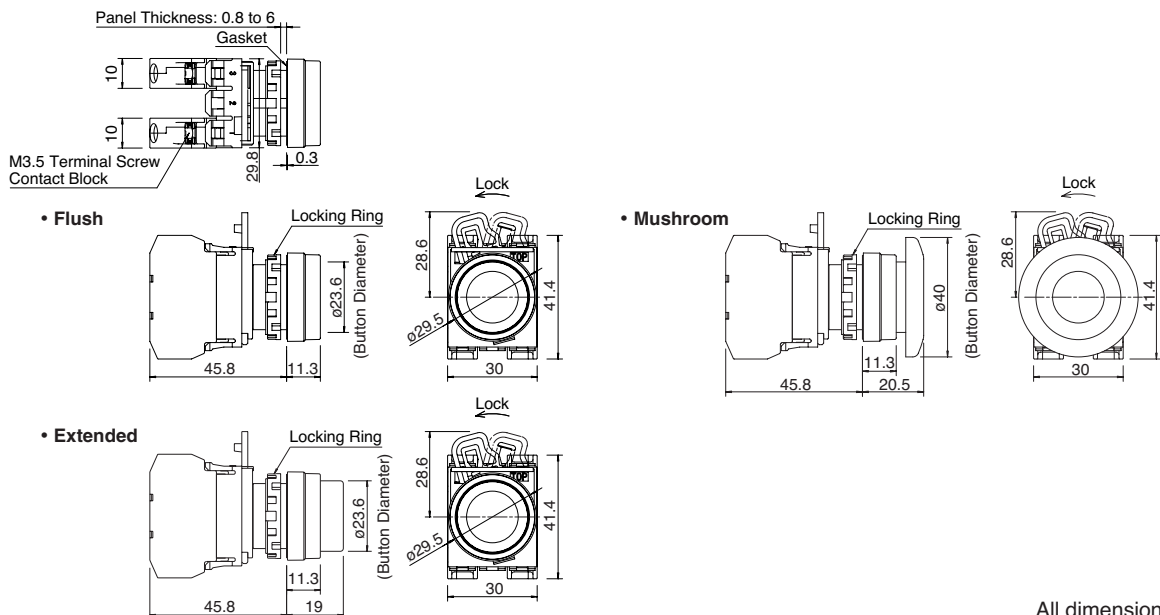
# Ø22 YW Series Control Units with Metal Bezels

## Pushbuttons



| Style   | Operation  | Contact     | Type No.    | ① Button Color Code  |             |  |
|---|--|-------------|-------------|--|-------------|--|
| <b>Flush</b><br>     | Momentary  | 1NO         | YW4B-M1E10① | B: black<br>G: green<br>R: red<br>S: blue<br>W: white<br>Y: yellow |             |  |
|   |  | 1NC         | YW4B-M1E01① |  |             |  |
|   |  | 2NO         | YW4B-M1E20① |  |             |  |
|   |  | 2NC         | YW4B-M1E02① |  |             |  |
|   |  | 1NO-1NC     | YW4B-M1E11① |  |             |  |
|   |  | 3NO         | YW4B-M1E30① |  |             |  |
|   |  | 3NC         | YW4B-M1E03① |  |             |  |
|   |  | 2NO-1NC     | YW4B-M1E21① |  |             |  |
|   | 1NO-2NC  | YW4B-M1E12① |             |  |             |  |
|   | Maintained   | 1NO         | YW4B-A1E10① |  |             |  |
|   |  | 1NC         | YW4B-A1E01① |  |             |  |
|   |  | 2NO         | YW4B-A1E20① |  |             |  |
|   |  | 2NC         | YW4B-A1E02① |  |             |  |
|   |  | 1NO-1NC     | YW4B-A1E11① |  |             |  |
|   |  |             |             |  |             |  |
| <b>Extended</b><br> | Momentary  | 1NO         | YW4B-M2E10① | B: black<br>G: green<br>R: red<br>S: blue<br>W: white<br>Y: yellow |             |  |
|   |  | 1NC         | YW4B-M2E01① |  |             |  |
|   |  | 2NO         | YW4B-M2E20① |  |             |  |
|   |  | 2NC         | YW4B-M2E02① |  |             |  |
|   | 1NO-1NC  | YW4B-M2E11① |             |  |             |  |
|   | Maintained   | 1NO         | YW4B-A2E10① |  |             |  |
|   |  | 1NC         | YW4B-A2E01① |  |             |  |
|   |  | 2NO         | YW4B-A2E20① |  |             |  |
|   |  | 2NC         | YW4B-A2E02① |  |             |  |
|   |  | 1NO-1NC     | YW4B-A2E11① |  |             |  |
|   |  |             |             |  |             |  |
|   | <b>Mushroom ø40mm</b><br> | Momentary   | 1NO         |  | YW4B-M4E10① | B: black<br>G: green<br>R: red<br>S: blue<br>W: white<br>Y: yellow |
|   |  |             | 1NC         |  | YW4B-M4E01① |  |
|   |  |             | 2NO         |  | YW4B-M4E20① |  |
| 2NC   |  |             | YW4B-M4E02① |  |             |  |
| 1NO-1NC   |  | YW4B-M4E11① |             |  |             |  |
| Maintained  |  | 1NO         | YW4B-A4E10① |  |             |  |
|   |  | 1NC         | YW4B-A4E01① |  |             |  |
|   |  | 2NO         | YW4B-A4E20① |  |             |  |
|   |  | 2NC         | YW4B-A4E02① |  |             |  |
|   |  | 1NO-1NC     | YW4B-A4E11① |  |             |  |
|   |  |             |             |  |             |  |

Note: Specify a button color code in place of ① in the Type No.

## Dimensions



**Illuminated Pushbuttons**

| Style   | Illumination Type | Operation      | Contacts       | Type No.                                    | ③ Operating Voltage Code                    | ② Lens Color Code  |  |  |   |
|---|-------------------|----------------|----------------|---|---|--|--|--|---|
|    | Without Lamp      | Momentary      | 1NO            | YW4L-M2E10Q0②                               | 0: without lamp<br>250V AC/DC max.          | A: amber<br>G: green<br>R: red<br>S: blue<br>W: white<br>Y: yellow   |  |  |   |
|   |                   |                | 1NC            | YW4L-M2E01Q0②                               |   |  |  |  |   |
|   |                   |                | 2NO            | YW4L-M2E20Q0②                               |   |  |  |  |   |
|   |                   |                | 2NC            | YW4L-M2E02Q0②                               |   |  |  |  |   |
|   |                   | Maintained     | 1NO-1NC        | YW4L-M2E11Q0②                               |   |  |  |  |   |
|   |                   |                | 1NO            | YW4L-A2E10Q0②                               |   |  |  |  |   |
|   |                   |                | 1NC            | YW4L-A2E01Q0②                               |   |  |  |  |   |
|   |                   |                | 2NO            | YW4L-A2E20Q0②                               |   |  |  |  |   |
|   |                   | Incandescent   | Momentary      | 1NO   |   |  | YW4L-M2E10Q③②  | 2: 6V AC/DC<br>3: 12V AC/DC<br>4: 24V AC/DC<br>H: 110V AC/DC<br>M3: 230/240V AC/DC | A: amber<br>G: green<br>PW: pure white<br>R: red<br>S: blue<br>W: white<br>Y: yellow<br>Built-in LED lamp:<br>LSED-③② |
|   |                   |                |                | 1NC   |   |  | YW4L-M2E01Q③②  |  |   |
|   |                   |                |                | 2NO   |   |  | YW4L-M2E20Q③②  |  |   |
|   |                   |                |                | 2NC   |   |  | YW4L-M2E02Q③②  |  |   |
|   | Maintained        | 1NO-1NC        | YW4L-M2E11Q③②  |   |   |  |  |  |   |
|   |                   | 1NO            | YW4L-A2E10Q③②  |   |   |  |  |  |   |
|   |                   | 1NC            | YW4L-A2E01Q③②  |   |   |  |  |  |   |
|   |                   | 2NO            | YW4L-A2E20Q③②  |   |   |  |  |  |   |
|   | Incandescent      | Momentary      | 1NO            | YW4L-M2E10Q③②                               | 5: 6V AC/DC<br>6: 12V AC/DC<br>7: 24V AC/DC | A: amber<br>G: green<br>R: red<br>S: blue<br>W: white<br>Y: yellow<br>Built-in incandescent lamp:<br>LS-T③ |  |  |   |
|   |                   |                | 1NC            | YW4L-M2E01Q③②                               |   |  |  |  |   |
|   |                   |                | 2NO            | YW4L-M2E20Q③②                               |   |  |  |  |   |
|   |                   |                | 2NC            | YW4L-M2E02Q③②                               |   |  |  |  |   |
|   | Maintained        | 1NO-1NC        | YW4L-M2E11Q③②  |   |   |  |  |  |   |
|   |                   | 1NO            | YW4L-A2E10Q③②  |   |   |  |  |  |   |
|   |                   | 1NC            | YW4L-A2E01Q③②  |   |   |  |  |  |   |
|   |                   | 2NO            | YW4L-A2E20Q③②  |   |   |  |  |  |   |
|  | Without Lamp      | Momentary      | 1NO            | YW4L-MF2E10Q0②                              |   |  | 0: without lamp<br>250V AC/DC max.   | A: amber<br>G: green<br>R: red<br>S: blue<br>W: white<br>Y: yellow                 |   |
|   |                   |                | 1NC            | YW4L-MF2E01Q0②                              |   |  |  |  |   |
|   |                   |                | 2NO            | YW4L-MF2E20Q0②                              |   |  |  |  |   |
|   |                   |                | 2NC            | YW4L-MF2E02Q0②                              |   |  |  |  |   |
|   |                   | Maintained     | 1NO-1NC        | YW4L-MF2E11Q0②                              |   |  |  |  |   |
|   |                   |                | 1NO            | YW4L-AF2E10Q0②                              |   |  |  |  |   |
|   |                   |                | 1NC            | YW4L-AF2E01Q0②                              |   |  |  |  |   |
|   |                   |                | 2NO            | YW4L-AF2E20Q0②                              |   |  |  |  |   |
|   |                   | Incandescent   | Momentary      | 1NO   | YW4L-MF2E10Q③②                              | 2: 6V AC/DC<br>3: 12V AC/DC<br>4: 24V AC/DC<br>H: 110V AC/DC<br>M3: 230/240V AC/DC                         |  |  | A: amber<br>G: green<br>PW: pure white<br>R: red<br>S: blue<br>W: white<br>Y: yellow<br>Built-in LED lamp:<br>LSED-③② |
|   |                   |                |                | 1NC   | YW4L-MF2E01Q③②                              |  |  |  |   |
|   |                   |                |                | 2NO   | YW4L-MF2E20Q③②                              |  |  |  |   |
|   |                   |                |                | 2NC   | YW4L-MF2E02Q③②                              |  |  |  |   |
|   | Maintained        | 1NO-1NC        | YW4L-MF2E11Q③② |   |   |  |  |  |   |
|   |                   | 1NO            | YW4L-AF2E10Q③② |   |   |  |  |  |   |
|   |                   | 1NC            | YW4L-AF2E01Q③② |   |   |  |  |  |   |
|   |                   | 2NO            | YW4L-AF2E20Q③② |   |   |  |  |  |   |
|   | Incandescent      | Momentary      | 1NO            | YW4L-MF2E10Q③②                              | 5: 6V AC/DC<br>6: 12V AC/DC<br>7: 24V AC/DC |  | A: amber<br>G: green<br>R: red<br>S: blue<br>W: white<br>Y: yellow<br>Built-in incandescent lamp:<br>LS-T③ |  |   |
|   |                   |                | 1NC            | YW4L-MF2E01Q③②                              |   |  |  |  |   |
|   |                   |                | 2NO            | YW4L-MF2E20Q③②                              |   |  |  |  |   |
|   |                   |                | 2NC            | YW4L-MF2E02Q③②                              |   |  |  |  |   |
|   | Maintained        | 1NO-1NC        | YW4L-MF2E11Q③② |   |   |  |  |  |   |
|   |                   | 1NO            | YW4L-AF2E10Q③② |   |   |  |  |  |   |
|   |                   | 1NC            | YW4L-AF2E01Q③② |   |   |  |  |  |   |
|   |                   | 2NO            | YW4L-AF2E20Q③② |   |   |  |  |  |   |
| Incandescent  | Momentary         | 1NO            | YW4L-MF2E10Q③② | 5: 6V AC/DC<br>6: 12V AC/DC<br>7: 24V AC/DC |   | A: amber<br>G: green<br>R: red<br>S: blue<br>W: white<br>Y: yellow<br>Built-in incandescent lamp:<br>LS-T③ |  |  |   |
|   |                   | 1NC            | YW4L-MF2E01Q③② |   |   |  |  |  |   |
|   |                   | 2NO            | YW4L-MF2E20Q③② |   |   |  |  |  |   |
|   |                   | 2NC            | YW4L-MF2E02Q③② |   |   |  |  |  |   |
| Maintained  | 1NO-1NC           | YW4L-MF2E11Q③② |                |   |   |  |  |  |   |
|   | 1NO               | YW4L-AF2E10Q③② |                |   |   |  |  |  |   |
|   | 1NC               | YW4L-AF2E01Q③② |                |   |   |  |  |  |   |
|   | 2NO               | YW4L-AF2E20Q③② |                |   |   |  |  |  |   |
| Incandescent  | Momentary         | 1NO            | YW4L-MF2E10Q③② |   | 5: 6V AC/DC<br>6: 12V AC/DC<br>7: 24V AC/DC |  | A: amber<br>G: green<br>R: red<br>S: blue<br>W: white<br>Y: yellow<br>Built-in incandescent lamp:<br>LS-T③ |  |   |
|   |                   | 1NC            | YW4L-MF2E01Q③② |   |   |  |  |  |   |
|   |                   | 2NO            | YW4L-MF2E20Q③② |   |   |  |  |  |   |
|   |                   | 2NC            | YW4L-MF2E02Q③② |   |   |  |  |  |   |
| Maintained  | 1NO-1NC           | YW4L-MF2E11Q③② |                |   |   |  |  |  |   |
|   | 1NO               | YW4L-AF2E10Q③② |                |   |   |  |  |  |   |
|   | 1NC               | YW4L-AF2E01Q③② |                |   |   |  |  |  |   |
|   | 2NO               | YW4L-AF2E20Q③② |                |   |   |  |  |  |   |
| Incandescent  | Momentary         | 1NO            | YW4L-MF2E10Q③② | 5: 6V AC/DC<br>6: 12V AC/DC<br>7: 24V AC/DC |   | A: amber<br>G: green<br>R: red<br>S: blue<br>W: white<br>Y: yellow<br>Built-in incandescent lamp:<br>LS-T③ |  |  |   |
|   |                   | 1NC            | YW4L-MF2E01Q③② |   |   |  |  |  |   |
|   |                   | 2NO            | YW4L-MF2E20Q③② |   |   |  |  |  |   |
|   |                   | 2NC            | YW4L-MF2E02Q③② |   |   |  |  |  |   |
| Maintained  | 1NO-1NC           | YW4L-MF2E11Q③② |                |   |   |  |  |  |   |
|   | 1NO               | YW4L-AF2E10Q③② |                |   |   |  |  |  |   |
|   | 1NC               | YW4L-AF2E01Q③② |                |   |   |  |  |  |   |
|   | 2NO               | YW4L-AF2E20Q③② |                |   |   |  |  |  |   |
| Incandescent  | Momentary         | 1NO            | YW4L-MF2E10Q③② |   | 5: 6V AC/DC<br>6: 12V AC/DC<br>7: 24V AC/DC |  | A: amber<br>G: green<br>R: red<br>S: blue<br>W: white<br>Y: yellow<br>Built-in incandescent lamp:<br>LS-T③ |  |   |
|   |                   | 1NC            | YW4L-MF2E01Q③② |   |   |  |  |  |   |
|   |                   | 2NO            | YW4L-MF2E20Q③② |   |   |  |  |  |   |
|   |                   | 2NC            | YW4L-MF2E02Q③② |   |   |  |  |  |   |
| Maintained  | 1NO-1NC           | YW4L-MF2E11Q③② |                |   |   |  |  |  |   |
|   | 1NO               | YW4L-AF2E10Q③② |                |   |   |  |  |  |   |
|   | 1NC               | YW4L-AF2E01Q③② |                |   |   |  |  |  |   |
|   | 2NO               | YW4L-AF2E20Q③② |                |   |   |  |  |  |   |

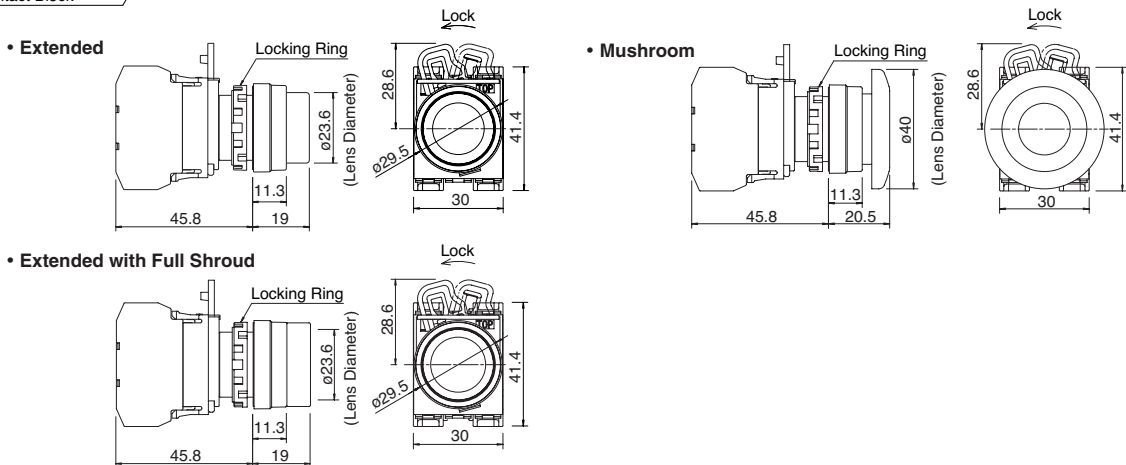
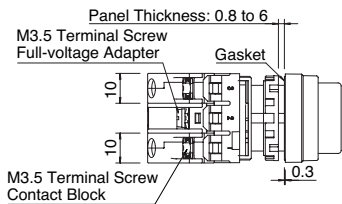
Note: Specify a lens color code in place of ② in the Type No.  
Specify an operating voltage code in place of ③ in the Type No.

# ø22 YW Series Control Units with Metal Bezels

| Style   | Illumination Type | Operation     | Contacts   | Type No.      | ③ Operating Voltage Code                    | ② Lens Color Code  |               |  |   |
|---|-------------------|---------------|------------|---------------|---|--|---------------|--|---|
|  | Without Lamp      | Momentary     | 1NO        | YW4L-M4E10Q0② | 0: without lamp<br>250V AC/DC max.          | A: amber<br>G: green<br>R: red<br>S: blue<br>W: white<br>Y: yellow   |               |  |   |
|   |                   |               | 1NC        | YW4L-M4E01Q0② |   |  |               |  |   |
|   |                   |               | 2NO        | YW4L-M4E20Q0② |   |  |               |  |   |
|   |                   |               | 2NC        | YW4L-M4E02Q0② |   |  |               |  |   |
|   |                   | Maintained    | 1NO-1NC    | YW4L-M4E11Q0② |   |  |               |  |   |
|   |                   |               | 1NO        | YW4L-A4E10Q0② |   |  |               |  |   |
|   |                   |               | 1NC        | YW4L-A4E01Q0② |   |  |               |  |   |
|   |                   |               | 2NO        | YW4L-A4E20Q0② |   |  |               |  |   |
|   |                   | LED           | Momentary  | 2NC           |   |  | YW4L-M4E02Q3② | 2: 6V AC/DC<br>3: 12V AC/DC<br>4: 24V AC/DC<br>H: 110V AC/DC<br>M3: 230/240V AC/DC | A: amber<br>G: green<br>PW: pure white<br>R: red<br>S: blue<br>W: white<br>Y: yellow<br>Built-in LED lamp:<br>LSED-③② |
|   |                   |               |            | 1NO-1NC       |   |  | YW4L-M4E11Q3② |  |   |
|   |                   |               |            | 1NO           |   |  | YW4L-A4E10Q3② |  |   |
|   |                   |               | Maintained | 1NC           |   |  | YW4L-A4E01Q3② |  |   |
|   | 2NO               |               |            | YW4L-A4E20Q3② |   |  |               |  |   |
|   | 2NC               | YW4L-A4E02Q3② |            |               |   |  |               |  |   |
|   | Incandescent      | Momentary     | 1NO-1NC    | YW4L-A4E11Q3② | 5: 6V AC/DC<br>6: 12V AC/DC<br>7: 24V AC/DC | A: amber<br>G: green<br>R: red<br>S: blue<br>W: white<br>Y: yellow<br>Built-in incandescent lamp:<br>LS-T③ |               |  |   |
|   |                   |               | 1NO        | YW4L-M4E10Q3② |   |  |               |  |   |
|   |                   |               | 1NC        | YW4L-M4E01Q3② |   |  |               |  |   |
|   |                   |               | 2NO        | YW4L-M4E20Q3② |   |  |               |  |   |
|   |                   | Maintained    | 2NC        | YW4L-M4E02Q3② |   |  |               |  |   |
|   |                   |               | 1NO        | YW4L-A4E10Q3② |   |  |               |  |   |
|   |                   |               | 1NC        | YW4L-A4E01Q3② |   |  |               |  |   |
|   |                   |               | 2NO        | YW4L-A4E20Q3② |   |  |               |  |   |
|   |                   |               | 2NC        | YW4L-A4E02Q3② |   |  |               |  |   |
|   |                   |               | 1NO-1NC    | YW4L-A4E11Q3② |   |  |               |  |   |



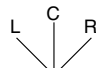
Note: Specify a lens color code in place of ② in the Type No.  
Specify an operating voltage code in place of ③ in the Type No.

## Dimensions



All dimensions in mm.

**Selector Switches**

| Style  |                       |                                 |    |                   | Knob Type   |           |             |                          |                         |                       |              |
|--|-----------------------|---------------------------------|----|-------------------|---|-----------|-------------|--------------------------|-------------------------|-----------------------|--------------|
|  |                       |                                 |    |                   |  |           |             |                          |                         |                       |              |
| No. of Positions   | Contact Configuration | Contact Block Mounting Position |    | Operator Position |   |           | Maintained  | Spring Return from Right | —                       | —                     |              |
|  |                       | 1                               | 2  | L                 | R   | —         |             |                          |                         |                       |              |
| 90°<br>2-Position<br>   | 1NO (10)              | 1                               | NO |                   | ●   |           | YW4S-2E10   | YW4S-21E10               | —                       | —                     |              |
|  |                       | 2                               |    |                   |   |           |             |                          |                         |                       |              |
|  |                       | 3                               |    |                   |   |           |             |                          |                         |                       |              |
|  | 1NC (01)              | 1                               |    |                   |   |           |             | YW4S-2E01                | YW4S-21E01              | —                     | —            |
|  |                       | 2                               |    |                   |   |           |             |                          |                         |                       |              |
|  |                       | 3                               | NC | ●                 |   |           |             |                          |                         |                       |              |
|  | 2NO (20)              | 1                               | NO |                   | ●   |           | YW4S-2E20   | YW4S-21E20               | —                       | —                     |              |
|  |                       | 2                               |    |                   |   |           |             |                          |                         |                       |              |
|  |                       | 3                               | NO |                   | ●   |           |             |                          |                         |                       |              |
|  | 2NC (02)              | 1                               | NC | ●                 |   |           | YW4S-2E02   | YW4S-21E02               | —                       | —                     |              |
|  |                       | 2                               |    |                   |   |           |             |                          |                         |                       |              |
|  |                       | 3                               | NC | ●                 |   |           |             |                          |                         |                       |              |
|  | 1NO-1NC (11)          | 1                               | NO |                   | ●   |           | YW4S-2E11   | YW4S-21E11               | —                       | —                     |              |
|  |                       | 2                               |    |                   |   |           |             |                          |                         |                       |              |
|  |                       | 3                               | NC | ●                 |   |           |             |                          |                         |                       |              |
|  | 3NO (30)              | 1                               | NO |                   | ●   |           | YW4S-2E30   | YW4S-21E30               | —                       | —                     |              |
|  |                       | 2                               | NO |                   | ●   |           |             |                          |                         |                       |              |
|  |                       | 3                               | NO |                   | ●   |           |             |                          |                         |                       |              |
| 3NC (03)   | 1                     | NC                              | ●  |                   |   | YW4S-2E03 | YW4S-21E03  | —                        | —                       |                       |              |
|  | 2                     | NC                              | ●  |                   |   |           |             |                          |                         |                       |              |
|  | 3                     | NC                              | ●  |                   |   |           |             |                          |                         |                       |              |
| 2NO-1NC (21)   | 1                     | NO                              |    | ●                 |   | YW4S-2E21 | YW4S-21E21  | —                        | —                       |                       |              |
|  | 2                     | NO                              |    | ●                 |   |           |             |                          |                         |                       |              |
|  | 3                     | NC                              | ●  |                   |   |           |             |                          |                         |                       |              |
| 1NO-2NC (12)   | 1                     | NO                              |    | ●                 |   | YW4S-2E12 | YW4S-21E12  | —                        | —                       |                       |              |
|  | 2                     | NC                              | ●  |                   |   |           |             |                          |                         |                       |              |
|  | 3                     | NC                              | ●  |                   |   |           |             |                          |                         |                       |              |
| No. of Positions   | Contact Configuration | Contact Block Mounting Position |    | Operator Position |   |           | Maintained  | Spring Return from Right | Spring Return from Left | Spring Return Two-Way |              |
|  |                       | 1                               | 2  | L                 | C   | R         |             |                          |                         |                       |              |
| 45°<br>3-Position<br> | 2NO (20)              | 1                               | NO | ●                 |   |           | YW4S-3E20   | YW4S-31E20               | YW4S-32E20              | YW4S-33E20            |              |
|  |                       | 2                               |    |                   |   |           |             |                          |                         |                       |              |
|  |                       | 3                               | NO |                   |   | ●         |             |                          |                         |                       |              |
|  | 2NO (20N1)            | 1                               | NO |                   | ●   |           |             | YW4S-3E20N1              | YW4S-31E20N1            | YW4S-32E20N1          | YW4S-33E20N1 |
|  |                       | 2                               | NO |                   | ●   |           |             |                          |                         |                       |              |
|  |                       | 3                               | NO |                   | ●   |           |             |                          |                         |                       |              |
|  | 2NC (02)              | 1                               | NC |                   |   | ●         |             | YW4S-3E02                | YW4S-31E02              | YW4S-32E02            | YW4S-33E02   |
|  |                       | 2                               |    |                   |   |           |             |                          |                         |                       |              |
|  |                       | 3                               | NC |                   |   | ●         |             |                          |                         |                       |              |
|  | 2NC (02N1)            | 1                               | NO |                   | ●   |           |             | YW4S-3E02N1              | YW4S-31E02N1            | YW4S-32E02N1          | YW4S-33E02N1 |
|  |                       | 2                               | NC |                   |   | ●         |             |                          |                         |                       |              |
|  |                       | 3                               | NC |                   |   | ●         |             |                          |                         |                       |              |
|  | 1NO-1NC (11)          | 1                               | NO |                   | ●   |           |             | YW4S-3E11                | YW4S-31E11              | YW4S-32E11            | YW4S-33E11   |
|  |                       | 2                               |    |                   |   |           |             |                          |                         |                       |              |
|  |                       | 3                               | NC |                   |   | ●         |             |                          |                         |                       |              |
|  | 1NO-1NC (11N1)        | 1                               | NC |                   |   | ●         |             | YW4S-3E11N1              | YW4S-31E11N1            | YW4S-32E11N1          | YW4S-33E11N1 |
|  |                       | 2                               |    |                   |   |           |             |                          |                         |                       |              |
|  |                       | 3                               | NO |                   |   | ●         |             |                          |                         |                       |              |
|  | 1NO-1NC (11N2)        | 1                               | NO |                   | ●   |           |             | YW4S-3E11N2              | YW4S-31E11N2            | YW4S-32E11N2          | YW4S-33E11N2 |
|  |                       | 2                               | NC |                   |   | ●         |             |                          |                         |                       |              |
|  |                       | 3                               |    |                   |   |           |             |                          |                         |                       |              |
|  | 1NO-1NC (11N3)        | 1                               |    |                   |   |           |             | YW4S-3E11N3              | YW4S-31E11N3            | YW4S-32E11N3          | YW4S-33E11N3 |
|  |                       | 2                               | NC |                   |   | ●         |             |                          |                         |                       |              |
|  |                       | 3                               | NO |                   |   | ●         |             |                          |                         |                       |              |
| 1NO-1NC (11N4)   | 1                     | NO                              |    | ●                 |   |           | YW4S-3E11N4 | YW4S-31E11N4             | YW4S-32E11N4            | YW4S-33E11N4          |              |
|  | 2                     | NC                              |    |                   | ●   |           |             |                          |                         |                       |              |
|  | 3                     | NC                              |    |                   | ●   |           |             |                          |                         |                       |              |
| 3NO (30)   | 1                     | NO                              |    | ●                 |   |           | YW4S-3E30   | YW4S-31E30               | YW4S-32E30              | YW4S-33E30            |              |
|  | 2                     | NO                              |    | ●                 |   |           |             |                          |                         |                       |              |
|  | 3                     | NO                              |    | ●                 |   |           |             |                          |                         |                       |              |
| 3NC (03)   | 1                     | NC                              |    |                   | ●   |           | YW4S-3E03   | YW4S-31E03               | YW4S-32E03              | YW4S-33E03            |              |
|  | 2                     | NC                              |    |                   | ●   |           |             |                          |                         |                       |              |
|  | 3                     | NC                              |    |                   | ●   |           |             |                          |                         |                       |              |
| 2NO-1NC (21)   | 1                     | NO                              |    | ●                 |   |           | YW4S-3E21   | YW4S-31E21               | YW4S-32E21              | YW4S-33E21            |              |
|  | 2                     | NC                              |    |                   | ●   |           |             |                          |                         |                       |              |
|  | 3                     | NO                              |    |                   | ●   |           |             |                          |                         |                       |              |
| 1NO-2NC (12)   | 1                     | NC                              |    |                   | ●   |           | YW4S-3E12   | YW4S-31E12               | YW4S-32E12              | YW4S-33E12            |              |
|  | 2                     | NO                              |    | ●                 |   |           |             |                          |                         |                       |              |
|  | 3                     | NC                              |    |                   | ●   |           |             |                          |                         |                       |              |

# Ø22 YW Series Control Units with Metal Bezels

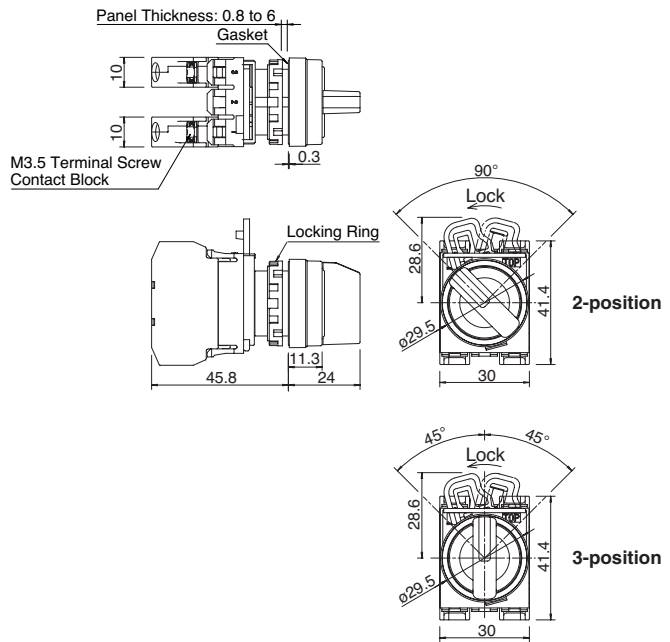
## Contact Block Mounting Position

Contact Block  
Mounting Position



L C R  
Operator Position

## Dimensions



All dimensions in mm.

**For accessories and instructions, see YW control units catalog EP1140-0.**

Specifications and other descriptions in this catalog are subject to change without notice.



## IDEC CORPORATION

7-31, Nishi-Miyahara 1-Chome, Yodogawa-ku, Osaka 532-8550, Japan  
Tel: +81-6-6398-2571, Fax: +81-6-6392-9731  
E-mail: products@idec.co.jp

**IDEC CORPORATION (USA)**  
1175 Elko Drive, Sunnyvale, CA 94089-2209, USA  
Tel: +1-408-747-0550 / (800) 262-IDEC (4332)  
Fax: +1-408-744-9055 / (800) 635-6246  
E-mail: opencontact@idec.com

**IDEC CANADA LIMITED**  
Unit 22-151, Brunel Road Mississauga, Ontario,  
L4Z 1X3, Canada  
Tel: +1-905-890-8561, Toll Free: (888) 317-4332  
Fax: +1-905-890-8562  
E-mail: sales@ca.idec.com

**IDEC AUSTRALIA PTY. LTD.**  
2/3 Macro Court, Rowville, Victoria 3178, Australia  
Tel: +61-3-9763-3244, Toll Free: 1-800-68-4332  
Fax: +61-3-9763-3255  
E-mail: sales@au.idec.com

**IDEC ELECTRONICS LIMITED**  
Unit 2, Beechwood, Chineham Business Park,  
Basingstoke, Hampshire RG24 8WA, UK  
Tel: +44-1256-321000, Fax: +44-1256-327755  
E-mail: sales@uk.idec.com

**IDEC ELEKTROTECHNIK GmbH**  
Wendenstrasse 331, 20537 Hamburg, Germany  
Tel: +49-40-25 30 54 - 0, Fax: +49-40-25 30 54 - 24  
E-mail: service@idec.de

**IDEC (SHANGHAI) CORPORATION**  
Room 608-609, 6F, Gangtai Plaza, No. 700,  
Yan'an East Road, Shanghai 200001, PRC  
Tel: +86-21-5353-1000, Fax: +86-21-5353-1263  
E-mail: idec@cn.idec.com

**IDEC (BEIJING) CORPORATION**  
Room 211B, Tower B, The Grand Pacific Building,  
8A Guanghua Road, Chaoyang District,  
Beijing 100026, PRC  
Tel: +86-10-6581-6131, Fax: +86-10-6581-5119

**IDEC (SHENZHEN) CORPORATION**  
Unit AB-3B2, Tian Xiang Building, Tian'an Cyber Park,  
Fu Tian District, Shenzhen, Guang Dong 518040, PRC  
Tel: +86-755-8356-2977, Fax: +86-755-8356-2944

**IDEC IZUMI (H.K.) CO., LTD.**  
Units 11-15, Level 27, Tower 1, Millennium City 1,  
388 Kwun Tong Road, Kwun Tong, Kowloon,  
Hong Kong  
Tel: +852-2803-8989, Fax: +852-2565-0171  
E-mail: info@hk.idec.com

**IDEC TAIWAN CORPORATION**  
8F-1, No. 79, Hsin Tai Wu Road, Sec. 1,  
Hsi-Chih, Taipei County, Taiwan  
Tel: +886-2-2698-3929, Fax: +886-2-2698-3931  
E-mail: service@tw.idec.com

**IDEC IZUMI ASIA PTE. LTD.**  
No. 31, Tannery Lane #05-01, HB Centre 2,  
Singapore 347788  
Tel: +65-6746-1155, Fax: +65-6844-5995  
E-mail: info@sg.idec.com

www.idec.com