

500 V / 690 V Hoods, double locking lever Size 32

500 V / 690 V Hoods, Size 32



Lateral cable entry



Top cable entry

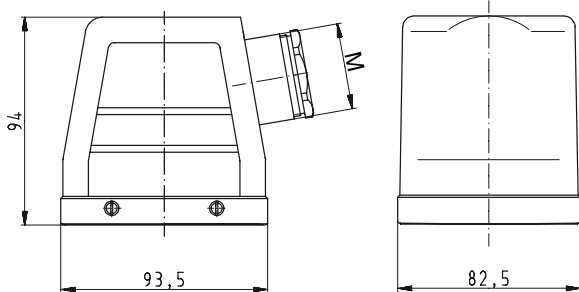


Description	Type	M	Part No.	P.U.
500 V / 690 V Hoods, size 32				
Lateral cable entry M32				
with cable gland, IP54, $\rightarrow \varnothing \leftarrow$ 7.5 – 19 mm	BAS GOT GA 32 M32 50 A0	32	70.350.3235.0	1
with threaded collar	BAS GOT GA 32 M32 50 A1	32	70.350.3235.1	1
with intermediate support	BAS GOT GA 32 M32 50 A2	32	70.350.3235.2	1
with strain relief, IP54	BAS GOT GA 32 M32 50 A3	32	70.350.3235.3	1
Lateral cable entry M40				
with threaded collar	BAS GOT GA 32 M40 50 A1	40	70.353.3235.1	1
with intermediate support	BAS GOT GA 32 M40 50 A2	40	70.353.3235.2	1
Top cable entry M32				
with cable gland, IP54, $\rightarrow \varnothing \leftarrow$ 7.5 – 19 mm	BAS GOT GC 32 M32 50 A0	32	70.352.3235.0	1
with threaded collar	BAS GOT GC 32 M32 50 A1	32	70.352.3235.1	1
with intermediate support	BAS GOT GC 32 M32 50 A2	32	70.352.3235.2	1
with strain relief, IP54	BAS GOT GC 32 M32 50 A3	32	70.352.3235.3	1
Top cable entry M40				
with threaded collar	BAS GOT GC 32 M40 50 A1	40	70.354.3235.1	1
with intermediate support	BAS GOT GC 32 M40 50 A2	40	70.354.3235.2	1
Technical data				
Material	Die cast aluminum alloy			
Surface	silicon-free			
Locking levers	-			
Gasket	-			
Degree of protection				
with latched locking levers	IP54			
with appropriate cable glands	IP65			
Temperature range	-40 – +120 °C			
Description	Type	M	Part No.	P.U.
Accessories				
Cable gland IP68, plastic material, gray	Connection range 10 – 21 mm	32	Z5.507.1753.0	10
Cable gland IP68, nickel-plated brass	Connection range 15 – 21 mm	32	Z5.507.1721.0	10
Cable gland IP68, plastic material, gray	Connection range 16 – 28 mm	40	Z5.507.1953.0	1
Cable gland IP68, nickel-plated brass	Connection range 19 – 27 mm	40	Z5.507.1921.0	1
Contact inserts				
See the product matrix			Page 24–25	

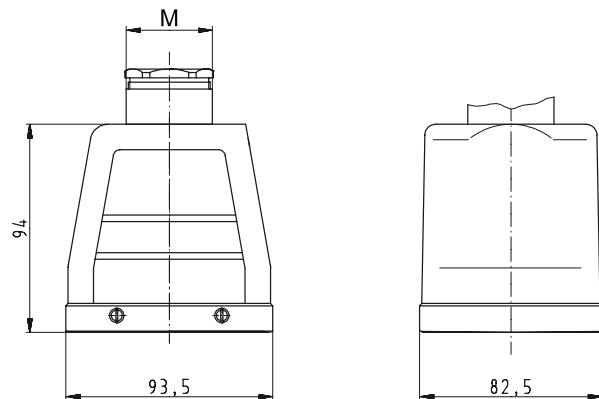
Dimensions

Hoods

Lateral cable entry



Top cable entry



500 V / 690 V Bases, double locking lever Size 32

**500 V / 690 V
Bases,
Size 32**



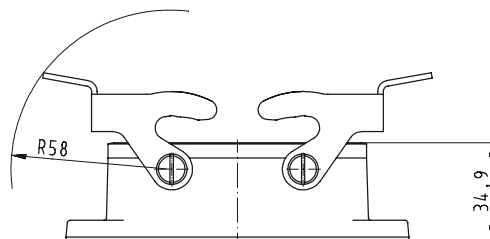
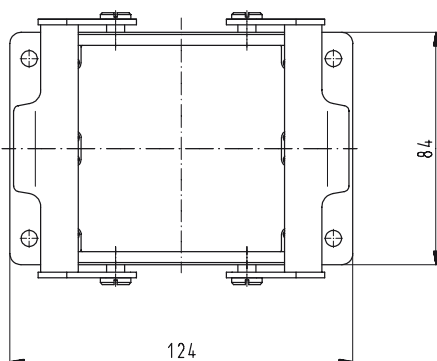
open



Description	Type	M	Part No.	P.U.
500 V / 690 V Base, size 32	Aluminum housing			
open				
without cover	BAS GUT GA 32 50 A		70.320.3228.0	1
Technical data				
Material	Die cast aluminum alloy			
Surface	silicon-free			
Locking levers	zinc-plated steel			
Gasket	NBR			
Degree of protection				
with latched locking levers	IP54			
with appropriate cable glands	IP65			
Temperature range	-40 – +120 °C			
Contact inserts				
See the product matrix			Page 24–25	

Dimensions

**Bases
open**



500 V / 690 V Hoods, single locking lever Size 48

500 V / 690 V Hoods, Size 48



Lateral cable entry



Top cable entry

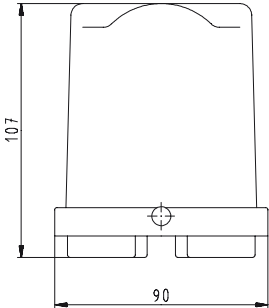
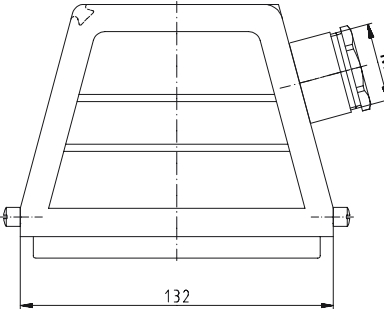


Description	Type	M	Part No.	P.U.
500 V / 690 V Hoods, size 48				
Lateral cable entry M32				
with cable gland, IP54, $\rightarrow \varnothing \leftarrow$ 7.5 – 19 mm	BAS GOT GG 48 M32 50 A0	32	70.350.4835.0	1
with threaded collar	BAS GOT GG 48 M32 50 A1	32	70.350.4835.1	1
with intermediate support	BAS GOT GG 48 M32 50 A2	32	70.350.4835.2	1
with strain relief, IP54	BAS GOT GG 48 M32 50 A3	32	70.350.4835.3	1
Lateral cable entry M40				
with threaded collar	BAS GOT GG 48 M40 50 A1	40	70.353.4835.1	1
with intermediate support	BAS GOT GG 48 M40 50 A2	40	70.353.4835.2	1
Top cable entry M32				
with cable gland, IP54, $\rightarrow \varnothing \leftarrow$ 7.5 – 19 mm	BAS GOT GI 48 M32 50 A0	32	70.352.4835.0	1
with threaded collar	BAS GOT GI 48 M32 50 A1	32	70.352.4835.1	1
with intermediate support	BAS GOT GI 48 M32 50 A2	32	70.352.4835.2	1
with strain relief, IP54	BAS GOT GI 48 M32 50 A3	32	70.352.4835.3	1
Top cable entry M40				
with threaded collar	BAS GOT GI 48 M40 50 A1	40	70.354.4835.1	1
with intermediate support	BAS GOT GI 48 M40 50 A2	40	70.354.4835.2	1
Technical data				
Material	Die cast aluminum alloy			
Surface	silicon-free			
Locking levers	–			
Gasket	–			
Degree of protection				
with latched locking levers	IP54			
with appropriate cable glands	IP65			
Temperature range	-40 – +120 °C			
Description	Type	M	Part No.	P.U.
Accessories				
Cable gland IP68, plastic material, gray	Connection range 10 – 21 mm	32	Z5.507.1753.0	10
Cable gland IP68, nickel-plated brass	Connection range 15 – 21 mm	32	Z5.507.1721.0	10
Cable gland IP68, plastic material, gray	Connection range 16 – 28 mm	40	Z5.507.1953.0	1
Cable gland IP68, nickel-plated brass	Connection range 19 – 27 mm	40	Z5.507.1921.0	1
Contact inserts				
See the product matrix			Page 24–25	

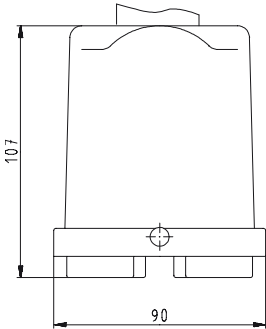
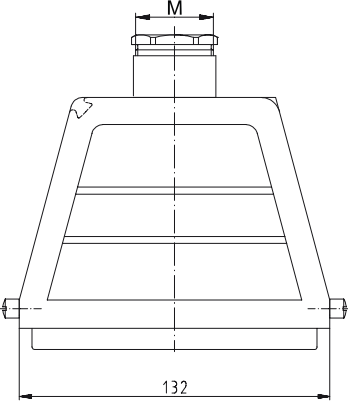
Dimensions

Hoods

Lateral cable entry



Top cable entry



500 / 690 V Bases, single locking lever Size 48

500 / 690 V Bases, Size 48



open

without cover
with cover



closed

1 cable gland

without cover
with cover



Description	Type	M	Part No.	P.U.
500 / 690 V Bases, size 48				
Open-bottom base				
without cover	BAS GUT GK 48 50 A		70.320.4828.0	1
with metal cover	BAS GUT GP 48 50 A		70.325.4828.0	1
Closed-bottom base				
1 cable glands left, 1 x M32				
without cover				
with cable gland, IP54, $\rightarrow \varnothing 1 \leftarrow$ 15–26.5 mm	BAS GUT GM 48 M32 50 A0	32	70.331.4835.0	1
with threaded collar	BAS GUT GM 48 M32 50 A1	32	70.331.4835.1	1
with strain relief IP54	BAS GUT GM 48 M32 50 A3	32	70.331.4835.3	1
with metal cover				
with cable gland, IP54, $\rightarrow \varnothing 1 \leftarrow$ 15–26.5 mm	BAS GUT GS 48 M32 50 A0	32	70.341.4835.1	1
with strain relief IP54	BAS GUT GS 48 M32 50 A3	32	70.341.4835.3	1
1 cable gland, left, 1 x M40				
with metal cover				
with threaded collar	BAS GUT GR 48 M40 50 A1	40	70.344.4835.1	1

Technical data	
Material	Die cast aluminum alloy
Surface	silicon-free
Locking levers	zinc-plated steel
Gasket	NBR
Degree of protection	
with latched locking levers	IP54
with appropriate cable glands	IP65
Temperature range	-40 – +120 °C

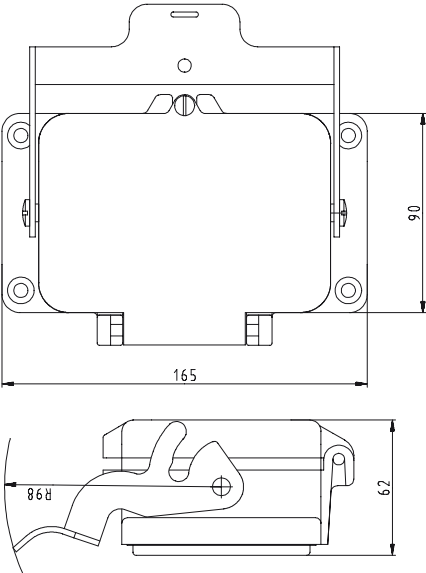
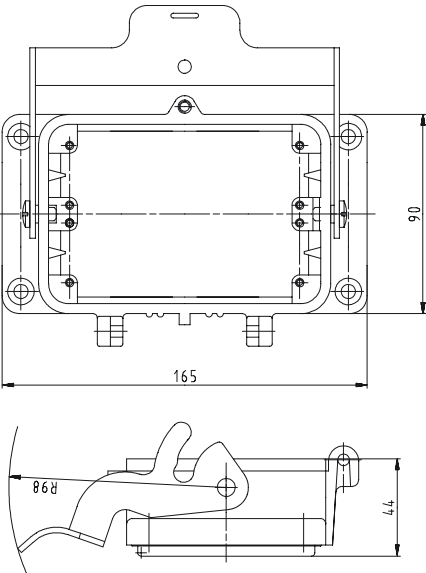
Description	Type	M	Part No.	P.U.
Accessories				
Cable gland IP68, plastic material, gray	Connection range 10 – 21 mm	32	Z5.507.1753.0	10
Cable gland IP68, nickel-plated brass	Connection range 15 – 21 mm	32	Z5.507.1721.0	10
Cable gland IP68, plastic material, gray	Connection range 16 – 28 mm	40	Z5.507.1953.0	1
Cable gland IP68, nickel-plated brass	Connection range 19 – 27 mm	40	Z5.507.1921.0	1

Contact inserts	
See the product matrix	Page 24–25

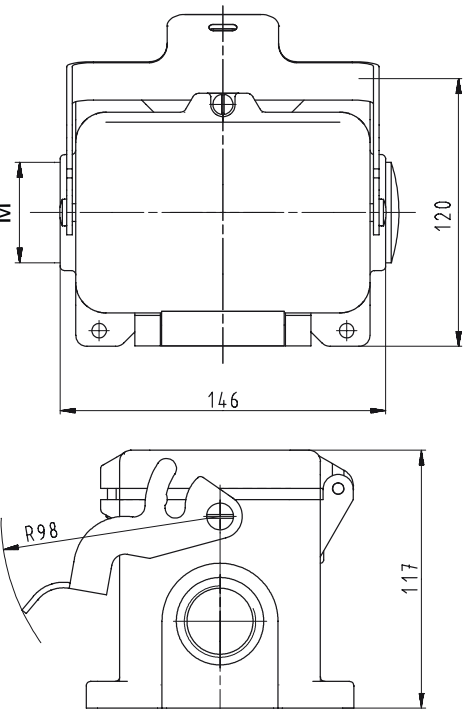
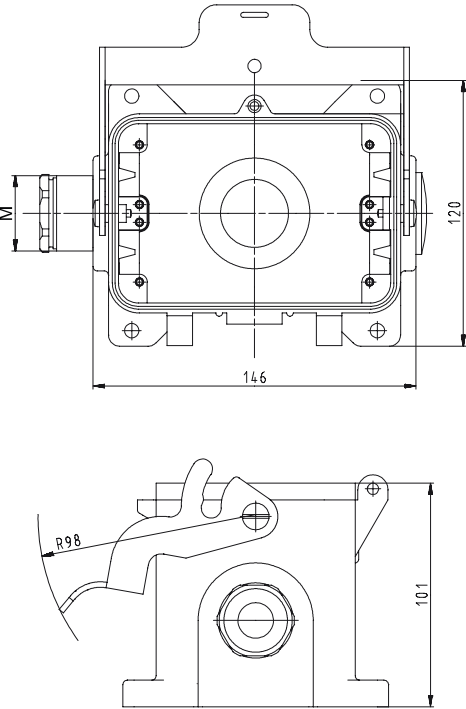
Dimensions

Bases

open



closed, 1 cable gland



EMC Hoods, Size 6–24

EMC Hoods

Lateral cable entry



Size 6/6H



Size 24/24H

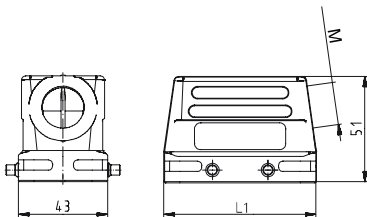


Description	Type	M	Part No.	P.U.
EMC Hoods		Aluminum housing		
Lateral cable entry, size 6/6H				
with threaded collar M20	BAS GOE GG 6 M20 50 A1	20	70.350.0645.1	1
with threaded collar M25	BAS GOE GG 6 M25 50 A1	25	70.353.0645.1	1
with threaded collar M25, increased height design	BAS GOE GG 6H M25 50 A1	25	73.350.0645.1	1
with threaded collar M32, increased height design	BAS GOE GG 6H M32 50 A1	32	73.353.0645.1	1
Lateral cable entry, size 10/10H				
with threaded collar M20	BAS GOE GA 10 M20 50 A1	20	70.350.1045.1	1
with threaded collar M25	BAS GOE GA 10 M25 50 A1	25	70.353.1045.1	1
with threaded collar M25, increased height design	BAS GOE GA 10H M25 50 A1	25	73.350.1045.1	1
with threaded collar M32, increased height design	BAS GOE GA 10H M32 50 A1	32	73.353.1045.1	1
Lateral cable entry, size 16/16H				
with threaded collar M25	BAS GOE GG 16 M25 50 A1	25	70.350.1645.1	1
with threaded collar M32	BAS GOE GG 16 M32 50 A1	32	70.353.1645.1	1
with threaded collar M25, increased height design	BAS GOE GG 16H M25 50 A1	25	73.350.4045.1	1
with threaded collar M32, increased height design	BAS GOE GG 16H M32 50 A1	32	73.353.4045.1	1
with threaded collar M40, increased height design	BAS GOE GG 16H M40 50 A1	40	73.360.4045.1	1
Lateral cable entry, size 24/24H				
with threaded collar M25	BAS GOE GA 24 M25 50 A1	25	70.350.2445.1	1
with threaded collar M32	BAS GOE GA 24 M32 50 A1	32	70.353.2445.1	1
with threaded collar M25, increased height design	BAS GOE GA 24H M25 50 A1	25	73.350.6445.1	1
with threaded collar M32, increased height design	BAS GOE GA 24H M32 50 A1	32	73.353.6445.1	1
with threaded collar M40, increased height design	BAS GOE GA 24H M40 50 A1	40	73.360.6445.1	1
Technical data				
Material	Die cast aluminum alloy			
Surface	Special EMC plating, highly conductive			
Locking levers	-			
Gasket	-			
Degree of protection				
with latched locking levers	-			
with appropriate cable glands	IP65			
Temperature range	-40 – +120 °C			
Description	Type	M	Part No.	P.U.
Accessories				
Cable gland EMV IP68, nickel-plated brass	Connection range 8 – 13 mm	20	Z5.507.4821.0	1
Cable gland EMV IP68, nickel-plated brass	Connection range 11 – 18 mm	25	Z5.507.5021.0	1
Cable gland EMV IP68, nickel-plated brass	Connection range 15 – 21 mm	32	Z5.507.5221.0	1
Contact inserts				
See the product matrix				Page 24–25

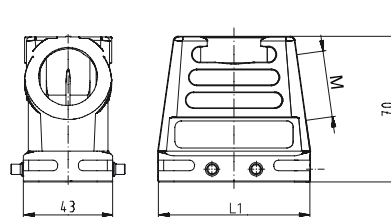
Dimensions

Hoods Lateral cable entry

Size 6 and 10

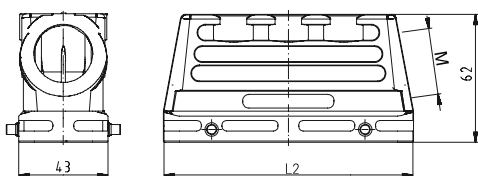


Size 6H and 10H

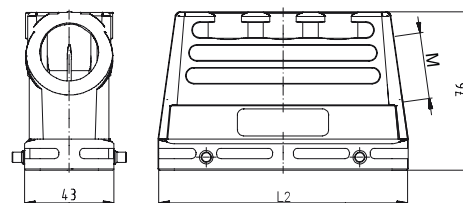


Size	L1 [mm]
6	60.0
6H	60.0
10	73.0
10H	73.0

Size 16 and 24


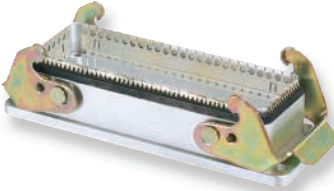


Size 16H and 24H



Size	L2 [mm]
16	93.5
16H	93.5
24	120.0
24H	120.0

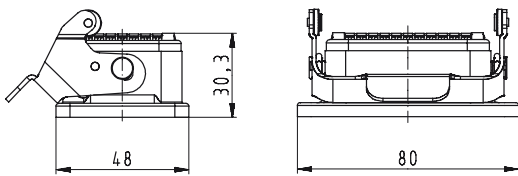
EMC Bases, Size 6–24

EMC Bases open	Description	Type	M	Part No.	P.U.
	EMC Bases Open	Aluminum housing			
Size 6 	Size 6	BAS GUE GK 6 50 A		70.320.0638.0	1
	Size 10	BAS GUE GA 10 50 A		70.320.1038.0	1
	Size 16	BAS GUE GA 16 50 A		70.320.1638.0	1
	Size 24	BAS GUE GA 24 50 A		70.320.2438.0	1
	Technical data				
Material		Die cast aluminum alloy			
Surface		Special EMC plating, highly conductive			
Locking levers		Steel			
Gasket		-			
Degree of protection					
with latched locking levers		-			
with appropriate cable glands		IP65			
Temperature range		-40 – +120 °C			
Contact inserts					
See the product matrix				Page 24–25	
Size 24 					

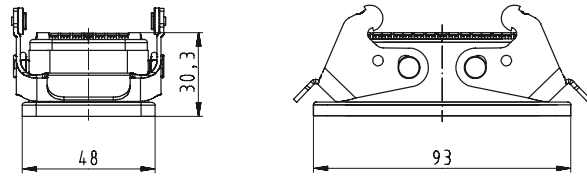
Dimensions

Open-Bottom bases

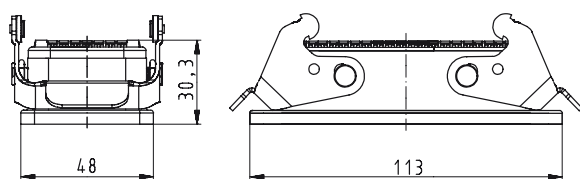
Size 6



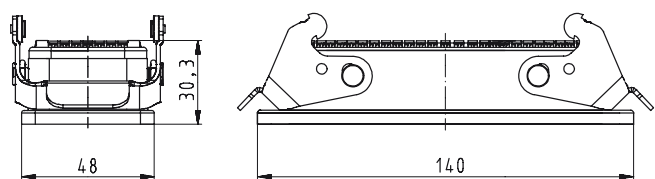
Size 10



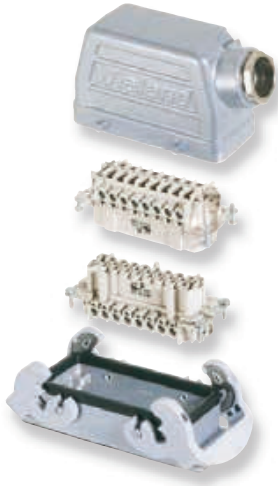
Size 16



Size 24



Multipole connector sets with 4 components screw connection 500 V / 16 A



Heavy duty connector kits, complete, consisting of:
male and female inserts, plugged together, loosely assembled into hoods and housings, and locked.



Screw connection



Screw connection



Housing	Number of poles	M	Part No.	P.U.	Female insert	Male insert	
Size 6	6-pole + ground	20	99.700.0000.6	1	●	●	
Size 10	10-pole + ground	20	99.701.0000.6	1	●	●	
Size 16	16-pole + ground	25	99.702.0000.6	1	●	●	
Size 24	24-pole + ground	25	99.703.0000.6	1	●	●	
Size 6	6-pole + ground	25	99.706.0000.6	1	●	●	
Size 10	10-pole + ground	25	99.707.0000.6	1	●	●	
Size 16	16-pole + ground	32	99.708.0000.6	1	●	●	
Size 24	24-pole + ground	32	99.709.0000.6	1	●	●	
Size 6	6-pole + ground	25	99.718.0000.6	1	●	●	
Size 10	10-pole + ground	25	99.719.0000.6	1	●	●	
Size 16	16-pole + ground	32	99.720.0000.6	1	●	●	
Size 24	24-pole + ground	32	99.721.0000.6	1	●	●	
Size 6	6-pole + ground	20	99.724.0000.6		●	●	
Size 10	10-pole + ground	20	99.725.0000.6	1	●	●	
Size 16	16-pole + ground	25	99.726.0000.6	1	●	●	
Size 24	24-pole + ground	25	99.727.0000.6	1	●	●	
For technical information see the individual components					70.300.xx40.0	70.310.xx.40.0	

● Part of the set belonging to the order no.

xx = 06 for 6-pole
10 for 10-pole
16 for 16-pole
24 for 24-pole





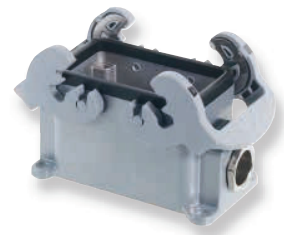
With metric cable entry on the side



With metric cable entry on the top



Open



Closed, with a metric cable entry

Hood	Hood	Bottom base	Bottom base
●		●	
●		●	
●		●	
●		●	
●		●	
●		●	
●		●	
●		●	
●		●	
	●	●	
	●	●	
	●	●	
	●	●	
●			●
●			●
●			●
●			●
70.35x.xx35.0	70.352.xx35.0	70.320.xx28.0	70.331.xx35.0

