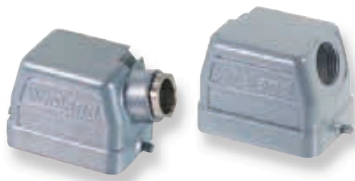


# 500 V Hoods, single locking lever Size 6

## 500 V Hoods Size 6



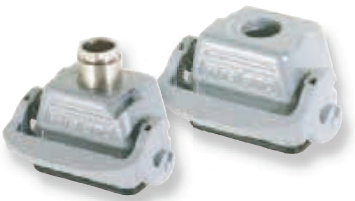
### Lateral cable entry



### Top cable entry



### Multipole connectors for cable-to-cable couplings



Description	Type	M	Part No.	P.U.
<b>500 V Hoods, size 6</b>				
<b>Aluminum housing</b>				
<b>Lateral cable entry M20</b>				
with cable gland, IP54, $\rightarrow \varnothing 1 \leftarrow$ 3 – 14.5 mm	BAS GOT GG 6 M20 50 A0	20	70.350.0635.0	1
with threaded collar	BAS GOT GG 6 M20 50 A1	20	70.350.0635.1	1
with intermediate support	BAS GOT GG 6 M20 50 A2	20	70.350.0635.2	1
with strain relief, IP54	BAS GOT GG 6 M20 50 A3	20	70.350.0635.3	1
<b>Lateral cable entry M25</b>				
with cable gland, IP54, $\rightarrow \varnothing 1 \leftarrow$ 7.5 – 19 mm	BAS GOT GG 6 M25 50 A0	25	70.353.0635.0	1
with threaded collar	BAS GOT GG 6 M25 50 A1	25	70.353.0635.1	1
with intermediate support	BAS GOT GG 6 M25 50 A2	25	70.353.0635.2	1
with strain relief, IP54	BAS GOT GG 6 M25 50 A3	25	70.353.0635.3	1
<b>Top cable entry M20</b>				
with cable gland, IP54, $\rightarrow \varnothing 1 \leftarrow$ 3 – 14.5 mm	BAS GOT GI 6 M20 50 A0	20	70.352.0635.0	1
with threaded collar	BAS GOT GI 6 M20 50 A1	20	70.352.0635.1	1
with intermediate support	BAS GOT GI 6 M20 50 A2	20	70.352.0635.2	1
with strain relief, IP54	BAS GOT GI 6 M20 50 A3	20	70.352.0635.3	1
<b>Top cable entry M25</b>				
with cable gland, IP54, $\rightarrow \varnothing 1 \leftarrow$ 7.5 – 19 mm	BAS GOT GI 6 M25 50 A0	25	70.354.0635.0	1
with threaded collar	BAS GOT GI 6 M25 50 A1	25	70.354.0635.1	1
with intermediate support	BAS GOT GI 6 M25 50 A2	25	70.354.0635.2	1
with strain relief, IP54	BAS GOT GI 6 M25 50 A3	25	70.354.0635.3	1
<b>Multipole connectors for cable-to-cable couplings M20</b>				
with cable gland, IP54, $\rightarrow \varnothing 1 \leftarrow$ 3 – 14.5 mm	BAS GOT GI 6 M20 50 A0	20	70.352.0635.0	1
with cable gland, IP54, $\rightarrow \varnothing 1 \leftarrow$ 3 – 14.5 mm Locking levers and gasket	BAS GOT GL 6 M20 50 A0	20	70.372.0635.0	1
with threaded collar	BAS GOT GI 6 M20 50 A1	20	70.352.0635.1	1
with threaded collar Locking levers and gasket	BAS GOT GL 6 M20 50 A1	20	70.372.0635.1	1
with strain relief, IP54	BAS GOT GI 6 M20 50 A3	20	70.352.0635.3	1
with strain relief, IP54 Locking levers and gasket	BAS GOT GL 6 M20 50 A3	20	70.372.0635.3	1
<b>Technical data</b>				
Material	Die cast aluminum alloy			
Surface	silicon-free/-			
Locking levers at Multipole connectors	Handle: Polyamide, UL94-V0; stainless steel: V2A			
Gasket at Multipole connectors	NBR			
<b>Degree of protection</b>				
with latched locking levers	IP54			
with appropriate cable glands	IP65			
Temperature range	-40 – +120 °C			
Description	Type	M	Part No.	P.U.
<b>Accessories</b>				
Cable gland IP68, plastic material, gray	Connection range 6 – 12 mm	20	Z5.507.1353.0	10
Cable gland IP68, nickel-plated brass	Connection range 8 – 13 mm	20	Z5.507.1321.0	10
Cable gland IP68, plastic material, gray	Connection range 7 – 16 mm	25	Z5.507.1553.0	10
Cable gland IP68, nickel-plated brass	Connection range 11 – 18 mm	25	Z5.507.1521.0	10
<b>Contact inserts</b>				
Size 6 see the product matrix			Page 24–25	

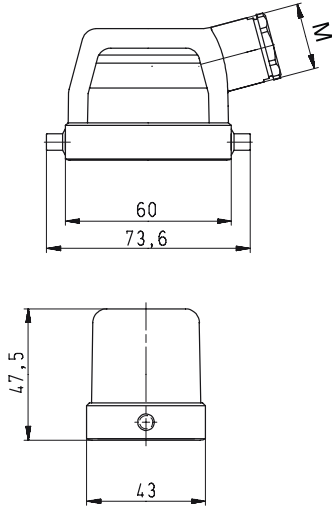
**Note:**

In 2013 the design of the revos housings will change. Through the use of an integrated insulation strip, voltage ranges of up to 690 V can then be covered. Additionally, a new, flexible marking system will be available to you.

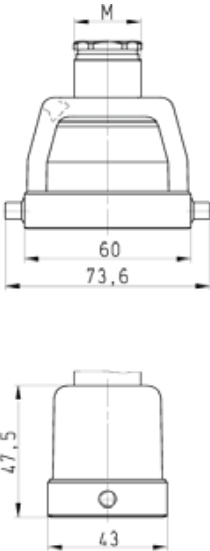
# Dimensions

## Hoods

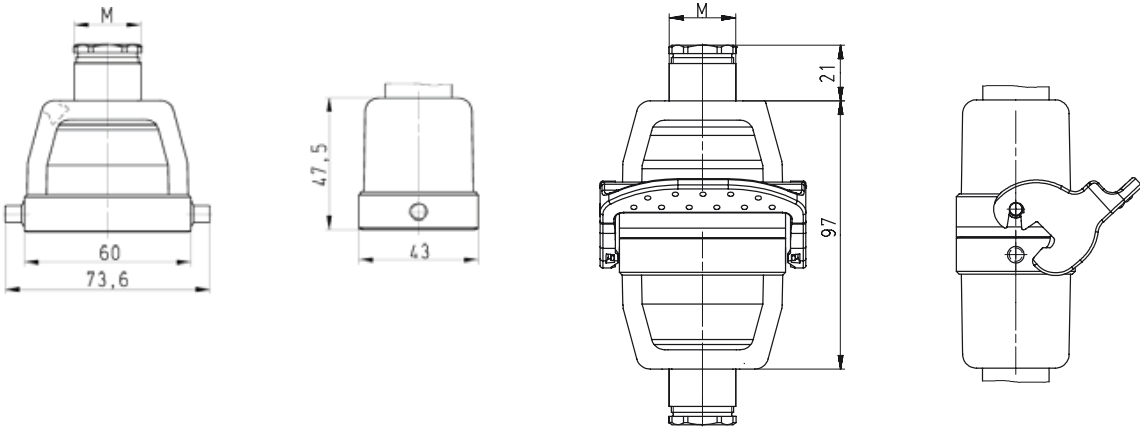
### Lateral cable entry



### Top cable entry



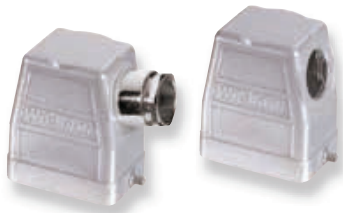
### Multipole connectors for cable-to-cable couplings



## 500 V / 690 V Hoods, single locking lever Size 6H, increased height design

### 500 V / 690 V Hoods, Size 6H, increased height design

#### Lateral cable entry



#### Top cable entry



Description	Type	M	Part No.	P.U.
<b>500 V / 690 V Hoods, size 6H</b>	<b>Aluminum housing</b>			
<b>Lateral cable entry M25</b>				
with cable gland, IP54, $\rightarrow \varnothing 1 \leftarrow$ 7.5 – 19 mm	BAS GOT GG 6H M25 50 A0	25	73.350.0635.0	1
with threaded collar	BAS GOT GG 6H M25 50 A1	25	73.350.0635.1	1
with intermediate support	BAS GOT GG 6H M25 50 A2	25	73.350.0635.2	1
with strain relief, IP54	BAS GOT GG 6H M25 50 A3	25	73.350.0635.3	1
<b>Lateral cable entry M32</b>				
with cable gland, IP54, $\rightarrow \varnothing 1 \leftarrow$ 15 – 26.5 mm	BAS GOT GG 6H M32 50 A0	32	73.353.0635.0	1
with threaded collar	BAS GOT GG 6H M32 50 A1	32	73.353.0635.1	1
with intermediate support	BAS GOT GG 6H M32 50 A2	32	73.353.0635.2	1
with strain relief, IP54	BAS GOT GG 6H M32 50 A3	32	73.353.0635.3	1
<b>Top cable entry M25</b>				
with cable gland, IP54, $\rightarrow \varnothing 1 \leftarrow$ 7.5 – 19 mm	BAS GOT GI 6H M25 50 A0	25	73.352.0635.0	1
with threaded collar	BAS GOT GI 6H M25 50 A1	25	73.352.0635.1	1
with intermediate support	BAS GOT GI 6H M25 50 A2	25	73.352.0635.2	1
with strain relief, IP54	BAS GOT GI 6H M25 50 A3	25	73.352.0635.3	1
<b>Top cable entry M32</b>				
with cable gland, IP54, $\rightarrow \varnothing 1 \leftarrow$ 15 – 26.5 mm	BAS GOT GI 6H M32 50 A0	32	73.354.0635.0	1
with threaded collar	BAS GOT GI 6H M32 50 A1	32	73.354.0635.1	1
with intermediate support	BAS GOT GI 6H M32 50 A2	32	73.354.0635.2	1
with strain relief, IP54	BAS GOT GI 6H M32 50 A3	32	73.354.0635.3	1
<b>Technical data</b>				
Material	Die cast aluminum alloy			
Surface	silicon-free			
Locking levers	–			
Gasket	–			
<b>Degree of protection</b>				
with latched locking levers	IP54			
with appropriate cable glands	IP65			
Temperature range	-40 – +120 °C			
Description	Type	M	Part No.	P.U.
<b>Accessories</b>				
Cable gland IP68, plastic material, gray	Connection range 7 – 16 mm	25	Z5.507.1553.0	10
Cable gland IP68, nickel-plated brass	Connection range 11 – 18 mm	25	Z5.507.1521.0	10
Cable gland IP68, plastic material, gray	Connection range 10 – 21 mm	32	Z5.507.1753.0	10
Cable gland IP68, nickel-plated brass	Connection range 15 – 21 mm	32	Z5.507.1721.0	10
<b>Contact inserts</b>				
Size 6H see the product matrix			Page 24–25	

**Note:**

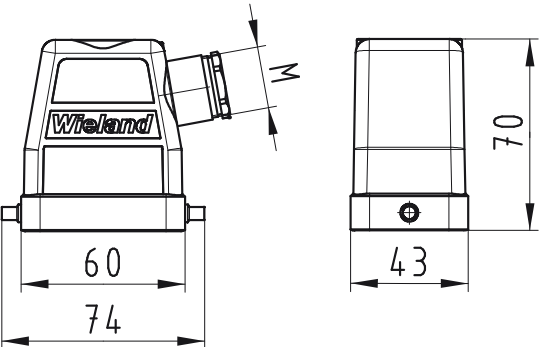
In 2013 the housing will be equipped with an insulation strip. With this modification, voltage ranges of up to 690 V can be covered.

# Dimensions

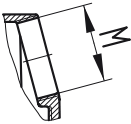
## Hoods

### Lateral cable entry,

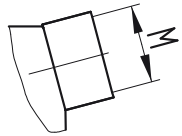
with cable gland  
IP54



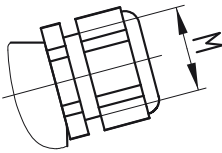
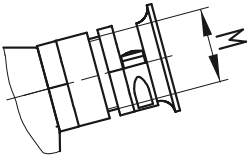
with threaded collar



with intermediate support

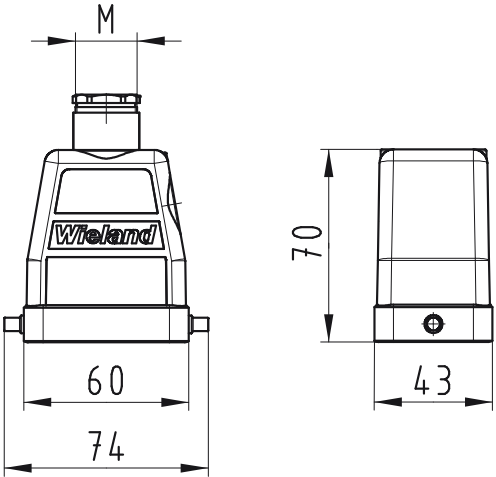


with strain relief  
IP54

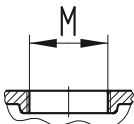


### Top cable entry,

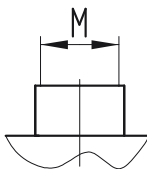
with cable gland  
IP54



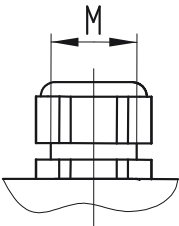
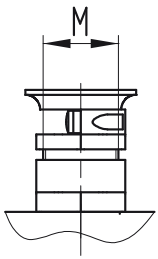
with threaded collar



with intermediate support






with strain relief  
IP54





# 500 V Bases, single locking lever Size 6

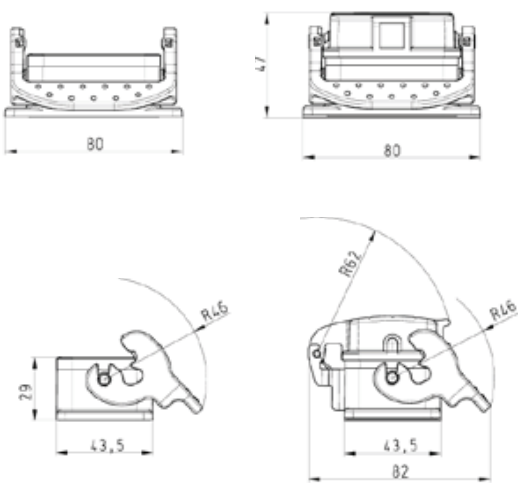
500 V Bases, Size 6		Description	Type	M	Part No.	P.U.
<b>open</b> without cover with cover 		<b>500 V Bases, size 6</b>	<b>Aluminum housing</b>			
		<b>Open-bottom base</b>				
<b>closed</b> 1 cable gland without cover with cover 		without cover	BAS GUT GK 6 50 A		70.320.0628.0	1
		with cover	BAS GUT GP 6 50 A		70.325.0628.0	1
<b>closed</b> 1 cable gland, bottom without cover with cover 		<b>Closed-bottom base</b>				
		<b>2 cable glands, 2 x M20</b>				
<b>without cover</b> with cable gland, IP54, $\rightarrow \varnothing \leftarrow$ 3 – 14.5 mm with threaded collar <b>with cover</b> with cable gland, IP54, $\rightarrow \varnothing \leftarrow$ 3 – 14.5 mm with threaded collar		BAS GUT GL 6 M20 50 A0	20	70.330.0635.0	1	
		BAS GUT GL 6 M20 50 A1	20	70.330.0635.1	1	
<b>with cover</b> with cable gland, IP54, $\rightarrow \varnothing \leftarrow$ 3 – 14.5 mm with threaded collar		BAS GUT GR 6 M20 50 A0	20	70.340.0635.0	1	
		BAS GUT GR 6 M20 50 A1	20	70.340.0635.1	1	
<b>2 cable glands, 2 x M25</b> <b>without cover</b> with cable gland, IP54, $\rightarrow \varnothing \leftarrow$ 7.5 – 19 mm with threaded collar		BAS GUT GL 6 M25 50 A0	25	70.334.0635.0	1	
		BAS GUT GL 6 M25 50 A1	25	70.334.0635.1	1	
<b>1 cable gland, left, 1 x M20</b> <b>without cover</b> with cable gland, IP54, $\rightarrow \varnothing \leftarrow$ 3 – 14.5 mm with threaded collar <b>with cover</b> with cable gland, IP54, $\rightarrow \varnothing \leftarrow$ 3 – 14.5 mm with threaded collar		BAS GUT GM 6 M20 50 A0	20	70.331.0635.0	1	
		BAS GUT GM 6 M20 50 A1	20	70.331.0635.1	1	
<b>1 cable gland, left, 1 x M25</b> <b>without cover</b> with cable gland, IP54, $\rightarrow \varnothing \leftarrow$ 7.5 – 19 mm with threaded collar <b>with cover</b> with cable gland, IP54, $\rightarrow \varnothing \leftarrow$ 7.5 – 19 mm with threaded collar		BAS GUT GS 6 M20 50 A0	20	70.341.0635.0	1	
		BAS GUT GS 6 M20 50 A1	20	70.341.0635.1	1	
<b>1 cable gland, right, 1 x M20</b> <b>without cover</b> with cable gland, IP54, $\rightarrow \varnothing \leftarrow$ 3 – 14.5 mm with threaded collar <b>with cover</b> with cable gland, IP54, $\rightarrow \varnothing \leftarrow$ 3 – 14.5 mm with threaded collar		BAS GUT GN 6 M20 50 A0	20	70.332.0635.0	1	
		BAS GUT GN 6 M20 50 A1	20	70.332.0635.1	1	
<b>1 cable gland, right, 1 x M25</b> <b>without cover</b> with cable gland, IP54, $\rightarrow \varnothing \leftarrow$ 7.5 – 19 mm with threaded collar <b>with cover</b> with cable gland, IP54, $\rightarrow \varnothing \leftarrow$ 7.5 – 19 mm with threaded collar		BAS GUT GT 6 M20 50 A0	20	70.342.0635.0	1	
		BAS GUT GT 6 M20 50 A1	20	70.342.0635.1	1	
<b>1 cable gland, bottom, 1 x M20</b> <b>without cover</b> with cable gland, IP54, $\rightarrow \varnothing \leftarrow$ 3 – 14.5 mm with threaded collar <b>with cover</b> with cable gland, IP54, $\rightarrow \varnothing \leftarrow$ 3 – 14.5 mm with threaded collar		BAS GUT GO 6 M20 50 A0	20	70.333.0635.0	1	
		BAS GUT GO 6 M20 50 A1	20	70.333.0635.1	1	
<b>1 cable gland, bottom, 1 x M25</b> <b>without cover</b> with cable gland, IP54, $\rightarrow \varnothing \leftarrow$ 7.5 – 19 mm with threaded collar <b>with cover</b> with cable gland, IP54, $\rightarrow \varnothing \leftarrow$ 7.5 – 19 mm with threaded collar		BAS GUT GU 6 M20 50 A0	20	70.343.0635.0	1	
		BAS GUT GU 6 M20 50 A1	20	70.343.0635.1	1	
<b>Technical data</b> Material Surface Locking levers Gasket Degree of protection with latched locking levers with appropriate cable glands Temperature range		Die cast aluminum alloy				
		silicon-free				
Handle: Polyamide, UL94-V0; stainless steel: V2A NBR IP54 IP65 -40 – +120 °C						
<b>Accessories</b> Cable gland IP68, plastic material, gray Cable gland IP68, nickel-plated brass Cable gland IP68, plastic material, gray Cable gland IP68, nickel-plated brass		Connection range 6 – 12 mm	20	Z5.507.1353.0	10	
		Connection range 8 – 13 mm	20	Z5.507.1321.0	10	
<b>Contact inserts</b> Size 6 see the product matrix		Connection range 7 – 16 mm	25	Z5.507.1553.0	10	
		Connection range 11 – 18 mm	25	Z5.507.1521.0	10	
		Description	Type	M	Part No.	P.U.
		Page 24–25				

**Note:**  
 In 2013 the design of the revos housings will change. Through the use of an integrated insulation strip, voltage ranges of up to 690 V can then be covered. Additionally, a new, flexible marking system will be available to you.

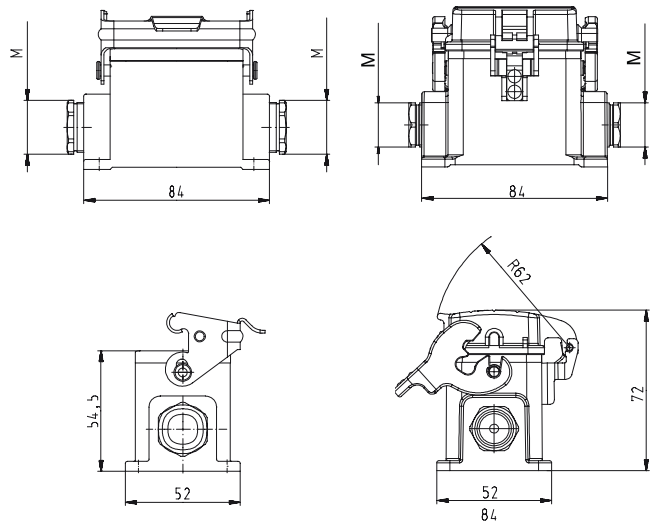
# Dimensions

## Bases

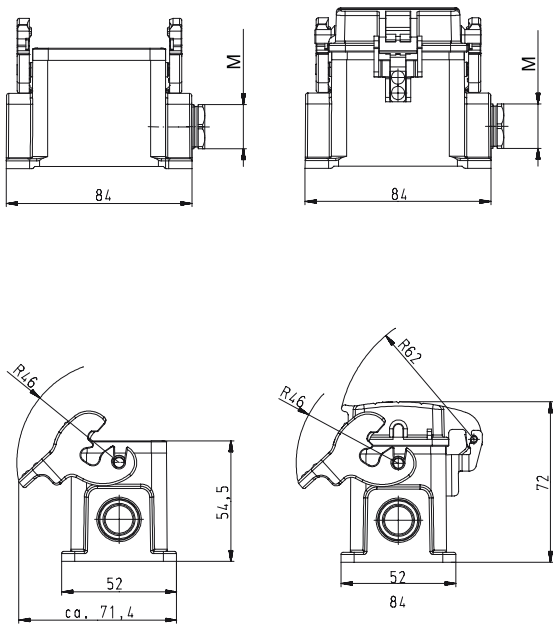
### open



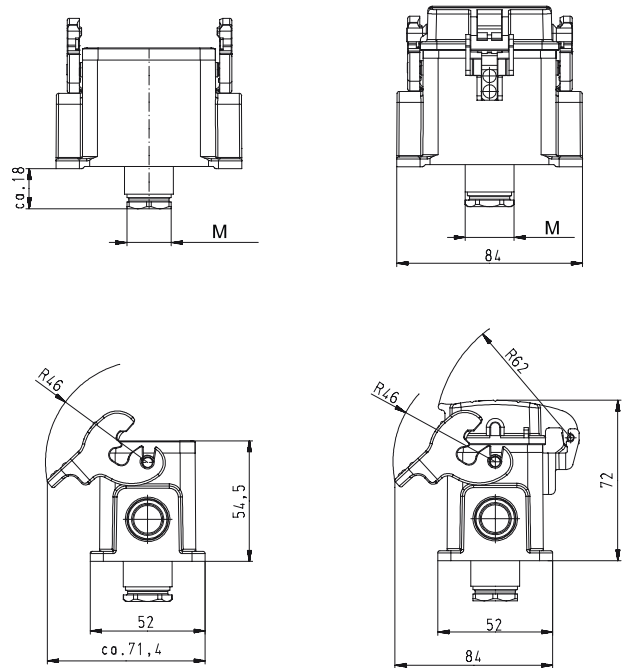
### closed, 2 cable glands



### closed, 1 cable gland



### closed, 1 cable gland, bottom



# 500 V/690 V Bases, single locking lever Size 6H, increased height design

## 500 V Bases Size 6H, increased height design

### closed M25 2 cable glands



### closed M32 2 cable glands

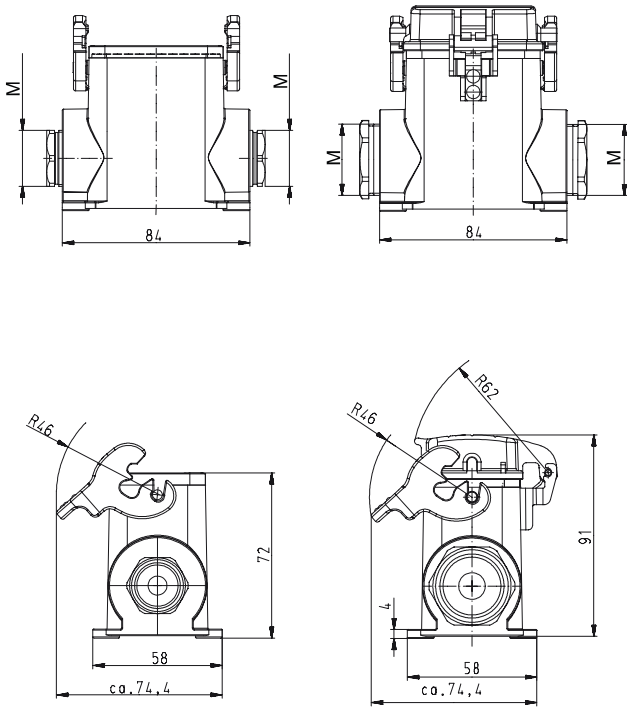


Description	Type	M	Part No.	P.U.
<b>500 V Bases, size 6H</b>	<b>Aluminum housing</b>			
<b>Closed-bottom base</b>				
<b>2 cable glands, 2 x M25</b>				
<b>without cover</b>				
with cable gland, IP54, $\rightarrow \varnothing \leftarrow$ 7.5 – 19 mm	BAS GUT GL 6H M25 69 A0	25	73.330.0635.0	1
with threaded collar	BAS GUT GL 6H M25 69 A1	25	73.330.0635.1	1
<b>with cover</b>				
with cable gland, IP54, $\rightarrow \varnothing \leftarrow$ 7.5 – 19 mm	BAS GUT GR 6H M25 69 A0	25	73.340.0635.0	1
with threaded collar	BAS GUT GR 6H M25 69 A1	25	73.340.0635.1	1
<b>2 cable glands, 2 x M32</b>				
<b>without cover</b>				
with cable gland, IP54, $\rightarrow \varnothing \leftarrow$ 15 – 26.5 mm	BAS GUT GL 6H M32 69 A0	32	73.334.0635.0	1
with threaded collar	BAS GUT GL 6H M32 69 A1	32	73.334.0635.1	1
<b>with cover</b>				
with cable gland, IP54, $\rightarrow \varnothing \leftarrow$ 15 – 26.5 mm	BAS GUT GR 6H M32 69 A0	32	73.344.0635.0	1
with threaded collar	BAS GUT GR 6H M32 69 A1	32	73.344.0635.1	1
<b>1 cable gland, left, 1 x M25</b>				
<b>without cover</b>				
with cable gland, IP54, $\rightarrow \varnothing \leftarrow$ 7.5 – 19 mm	BAS GUT GM 6H M25 69 A0	25	73.331.0635.0	1
with threaded collar	BAS GUT GM 6H M25 69 A1	25	73.331.0635.1	1
<b>with cover</b>				
with cable gland, IP54, $\rightarrow \varnothing \leftarrow$ 7.5 – 19 mm	BAS GUT GS 6H M25 69 A0	25	73.341.0635.0	1
with threaded collar	BAS GUT GS 6H M25 69 A1	25	73.341.0635.1	1
<b>1 cable gland, left, 1 x M32</b>				
<b>without cover</b>				
with cable gland, IP54, $\rightarrow \varnothing \leftarrow$ 15 – 26.5 mm	BAS GUT GM 6H M32 69 A0	32	73.335.0635.0	1
with threaded collar	BAS GUT GM 6H M32 69 A1	32	73.335.0635.1	1
<b>with cover</b>				
with cable gland, IP54, $\rightarrow \varnothing \leftarrow$ 15 – 26.5 mm	BAS GUT GS 6H M32 69 A0	32	73.345.0635.0	1
with threaded collar	BAS GUT GS 6H M32 69 A1	32	73.345.0635.1	1
<b>1 cable gland, right, 1 x M25</b>				
<b>with cover</b>				
with cable gland, IP54, $\rightarrow \varnothing \leftarrow$ 7.5 – 19 mm	BAS GUT GT 6H M25 69 A0	25	73.342.0635.0	1
with threaded collar	BAS GUT GT 6H M25 69 A1	25	73.342.0635.1	1
<b>1 cable gland, right, 1 x M32</b>				
<b>with cover</b>				
with cable gland, IP54, $\rightarrow \varnothing \leftarrow$ 15 – 26.5 mm	BAS GUT GT 6H M32 69 A0	32	73.346.0635.0	1
with threaded collar	BAS GUT GT 6H M32 69 A1	32	73.346.0635.1	1
<b>Technical data</b>				
Material	Die cast aluminum alloy			
Surface	silicon-free			
Locking levers	Handle: Polyamide, UL94-V0; stainless steel: V2A			
Gasket	NBR			
<b>Degree of protection</b>				
with latched locking levers	IP54			
with appropriate cable glands	IP65			
Temperature range	-40 – +120 °C			
Description	Type	M	Part No.	P.U.
<b>Accessories</b>				
Cable gland IP68, plastic material, gray	Connection range 7 – 16 mm	25	Z5.507.1553.0	10
Cable gland IP68, nickel-plated brass	Connection range 11 – 18 mm	25	Z5.507.1521.0	10
Cable gland IP68, plastic material, gray	Connection range 10 – 21 mm	32	Z5.507.1753.0	10
Cable gland IP68, nickel-plated brass	Connection range 15 – 21 mm	32	Z5.507.1721.0	10
<b>Contact inserts</b>				
Size 6H see the product matrix			Page 24–25	

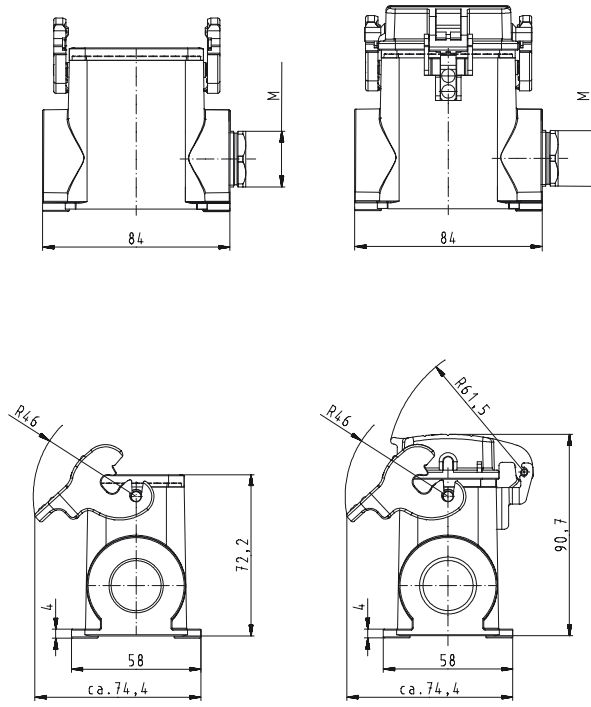
# Dimensions

## Bases

### closed, 2 cable glands



### closed, 1 cable gland

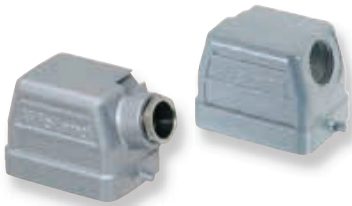


# 690 V Hoods, single locking lever Size 6

## 690 V Hoods Size 6



### Lateral cable entry



### Top cable entry



### Multipole connectors for cable-to-cable couplings



Description	Type	M	Part No.	P.U.
<b>690 V Hoods, size 6</b>				
<b>Aluminum housing</b>				
<b>Lateral cable entry M20</b>				
with cable gland, IP54, $\rightarrow \varnothing 1 \leftarrow$ 3 – 14.5 mm	BAS GOT GG 6 M20 69 A0	20	72.350.0635.0	1
with threaded collar	BAS GOT GG 6 M20 69 A1	20	72.350.0635.1	1
with intermediate support	BAS GOT GG 6 M20 69 A2	20	72.350.0635.2	1
with strain relief, IP54	BAS GOT GG 6 M20 69 A3	20	72.350.0635.3	1
<b>Lateral cable entry M25</b>				
with cable gland, IP54, $\rightarrow \varnothing 1 \leftarrow$ 7.5 – 19 mm	BAS GOT GG 6 M25 69 A0	25	72.353.0635.0	1
with threaded collar	BAS GOT GG 6 M25 69 A1	25	72.353.0635.1	1
with intermediate support	BAS GOT GG 6 M25 69 A2	25	72.353.0635.2	1
with strain relief, IP54	BAS GOT GG 6 M25 69 A3	25	72.353.0635.3	1
<b>Top cable entry M20</b>				
with cable gland, IP54, $\rightarrow \varnothing 1 \leftarrow$ 3 – 14.5 mm	BAS GOT GI 6 M20 69 A0	20	72.352.0635.0	1
with threaded collar	BAS GOT GI 6 M20 69 A1	20	72.352.0635.1	1
with intermediate support	BAS GOT GI 6 M20 69 A2	20	72.352.0635.2	1
with strain relief, IP54	BAS GOT GI 6 M20 69 A3	20	72.352.0635.3	1
<b>Top cable entry M25</b>				
with cable gland, IP54, $\rightarrow \varnothing 1 \leftarrow$ 7.5 – 19 mm	BAS GOT GI 6 M25 69 A0	25	72.354.0635.0	1
with threaded collar	BAS GOT GI 6 M25 69 A1	25	72.354.0635.1	1
with intermediate support	BAS GOT GI 6 M25 69 A2	25	72.354.0635.2	1
with strain relief, IP54	BAS GOT GI 6 M25 69 A3	25	72.354.0635.3	1
<b>Multipole connectors for cable-to-cable couplings M20</b>				
with strain relief, IP54	BAS GOT GI 6 M20 69 A3	20	72.352.0635.3	1
with strain relief, IP54 Locking levers and gasket	BAS GOT GL 6 M20 69 A3	20	72.372.0635.3	1
<b>Technical data</b>				
Material	Die cast aluminum alloy			
Surface	silicon-free			
Locking levers at Multipole connectors	Handle: Polyamide, UL94-V0; stainless steel: V2A			
Gasket at Multipole connectors	NBR			
<b>Degree of protection</b>				
with latched locking levers	IP54			
with appropriate cable glands	IP65			
Temperature range	-40 – +120 °C			
Description	Type	M	Part No.	P.U.
<b>Accessories</b>				
Cable gland IP68, plastic material, gray	Connection range 6 – 12 mm	20	Z5.507.1353.0	10
Cable gland IP68, nickel-plated brass	Connection range 8 – 13 mm	20	Z5.507.1321.0	10
Cable gland IP68, plastic material, gray	Connection range 7 – 16 mm	25	Z5.507.1553.0	10
Cable gland IP68, nickel-plated brass	Connection range 11 – 18 mm	25	Z5.507.1521.0	10
<b>Contact inserts</b>				
Size 6 see the product matrix			Page 24–25	

Plastic cable glands may only be used with a shortened thread or together with an intermediate support.

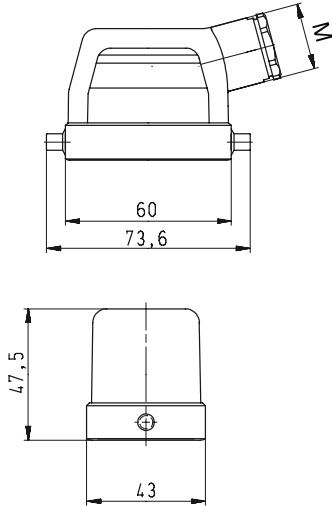
**Note:**

In 2013 the design and order numbers of the revos housings will change, but the function of the housings will remain intact. In addition, a new flexible marking system will be available to you. In the transition phase you can continue to order with the existing part number. You can find more detailed information and a cross-reference list in our e-Shop and on our homepage.

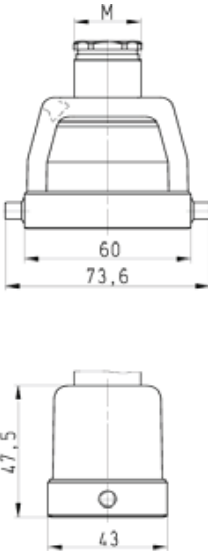
# Dimensions

## Hoods

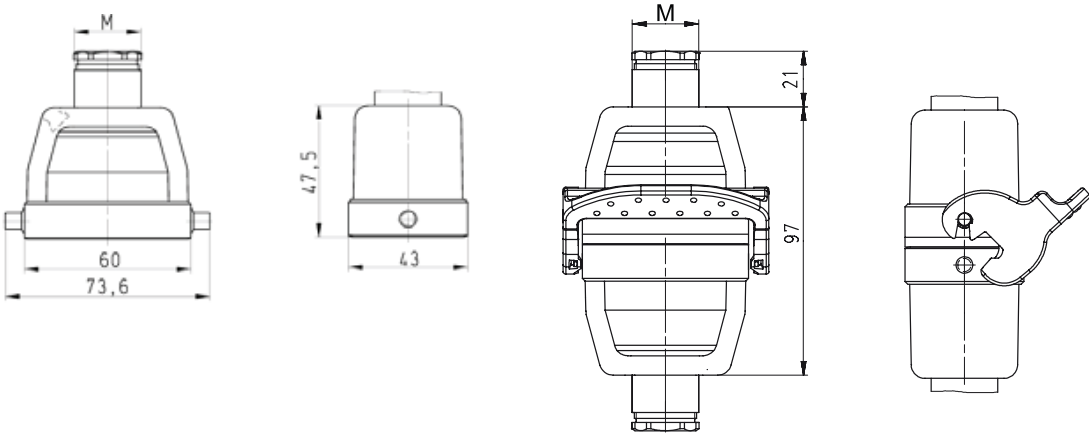
### Lateral cable entry



### Top cable entry



### Multipole connectors for cable-to-cable couplings



# 690 V Bases, single locking lever Size 6

## 690 V Bases Size 6



**open**  
without cover  
with cover



**closed**  
**1 cable gland**  
without cover  
with cover



**closed**  
**1 cable gland, bottom**  
without cover  
with cover



Description	Type	M	Part No.	P.U.
<b>690 V Bases, size 6</b>				
<b>Open-bottom base</b>				
without cover	BAS GUT GK 6 69 A		72.320.0628.0	1
with cover	BAS GUT GP 6 69 A		72.325.0628.0	1
<b>Closed-bottom base</b>				
<b>2 cable glands, 2 x M20</b>				
<b>without cover</b>				
with cable gland, IP54, $\rightarrow \varnothing $ 3 – 14.5 mm	BAS GUT GL 6 M20 69 A0	20	72.330.0635.0	1
with threaded collar	BAS GUT GL 6 M20 69 A1	20	72.330.0635.1	1
<b>with cover</b>				
with cable gland, IP54, $\rightarrow \varnothing $ 3 – 14.5 mm	BAS GUT GR 6 M20 69 A0	20	72.340.0635.0	1
with threaded collar	BAS GUT GR 6 M20 69 A1	20	72.340.0635.1	1
<b>1 cable gland, left, 1 x M20</b>				
<b>without cover</b>				
with cable gland, IP54, $\rightarrow \varnothing $ 3 – 14.5 mm	BAS GUT GM 6 M20 69 A0	20	72.331.0635.0	1
with threaded collar	BAS GUT GM 6 M20 69 A1	20	72.331.0635.1	1
<b>with cover</b>				
with cable gland, IP54, $\rightarrow \varnothing $ 3 – 14.5 mm	BAS GUT GS 6 M20 69 A0	20	72.341.0635.0	1
with threaded collar	BAS GUT GS 6 M20 69 A1	20	72.341.0635.1	1
<b>1 cable gland, left, 1 x M25</b>				
<b>without cover</b>				
with threaded collar	BAS GUT GM 6 M25 69 A1	25	72.335.0635.1	1
<b>1 cable gland, right, 1 x M20</b>				
<b>without cover</b>				
with cable gland, IP54, $\rightarrow \varnothing $ 3 – 14.5 mm	BAS GUT GN 6 M20 69 A0	20	72.332.0635.0	1
with threaded collar	BAS GUT GN 6 M20 69 A1	20	72.332.0635.1	1
<b>with cover</b>				
with cable gland, IP54, $\rightarrow \varnothing $ 3 – 14.5 mm	BAS GUT GT 6 M20 69 A0	20	72.342.0635.0	1
with threaded collar	BAS GUT GT 6 M20 69 A1	20	72.342.0635.1	1
<b>1 cable gland, bottom, 1 x M20</b>				
<b>without cover</b>				
with cable gland, IP54, $\rightarrow \varnothing $ 3 – 14.5 mm	BAS GUT GO 6 M20 69 A0	20	72.333.0635.0	1
with threaded collar,	BAS GUT GO 6 M20 69 A1	20	72.333.0635.1	1
<b>with cover</b>				
with cable gland, IP54, $\rightarrow \varnothing $ 3 – 14.5 mm	BAS GUT GU 6 M20 69 A0	20	72.343.0635.0	1
with threaded collar,	BAS GUT GU 6 M20 69 A1	20	72.343.0635.1	1

<b>Technical data</b>	
Material	Die cast aluminum alloy
Surface	silicon-free
Locking levers	Handle: Polyamide, UL94-V0; stainless steel: V2A
Gasket	NBR
<b>Degree of protection</b>	
with latched locking levers	IP54
with appropriate cable glands	IP65
Temperature range	-40 – +120 °C

Description	Type	M	Part No.	P.U.
<b>Accessories</b>				
Cable gland IP68, plastic material, gray	Connection range 6 – 12 mm	20	Z5.507.1353.0	10
Cable gland IP68, nickel-plated brass	Connection range 8 – 13 mm	20	Z5.507.1321.0	10
Cable gland IP68, plastic material, gray	Connection range 7 – 16 mm	25	Z5.507.1553.0	10
Cable gland IP68, nickel-plated brass	Connection range 11 – 18 mm	25	Z5.507.1521.0	10
<b>Contact inserts</b>				
See the product matrix			Page 24–25	

**Note:**

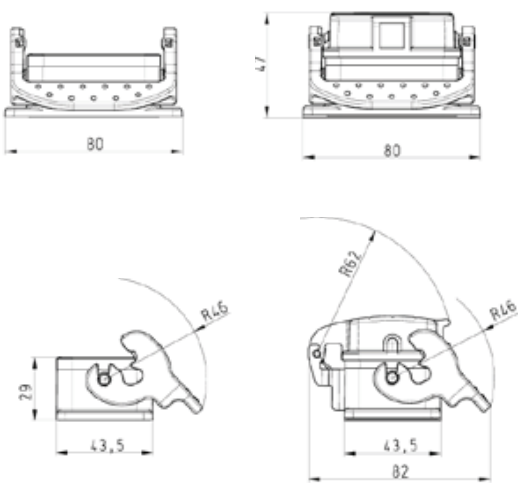
In 2013 the design and order numbers of the revos housings will change, but the function of the housings will remain intact. In addition, a new flexible marking system will be available to you. In the transition phase you can continue to order with the existing part number. You can find more detailed information and a cross-reference list in our e-Shop and on our homepage.



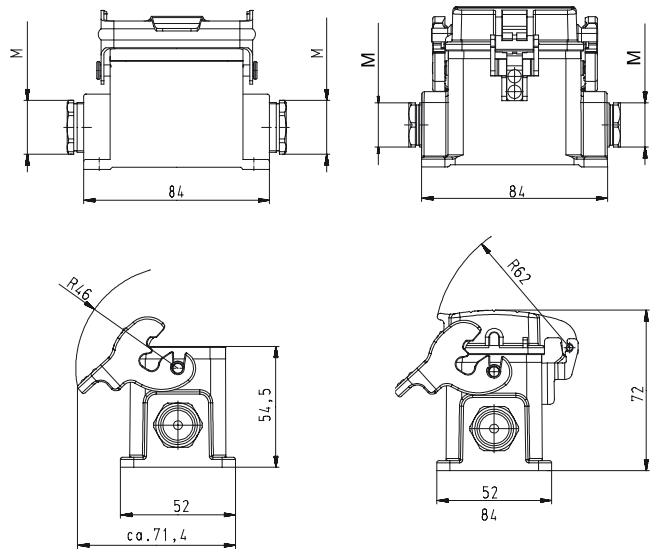
# Dimensions

## Bases

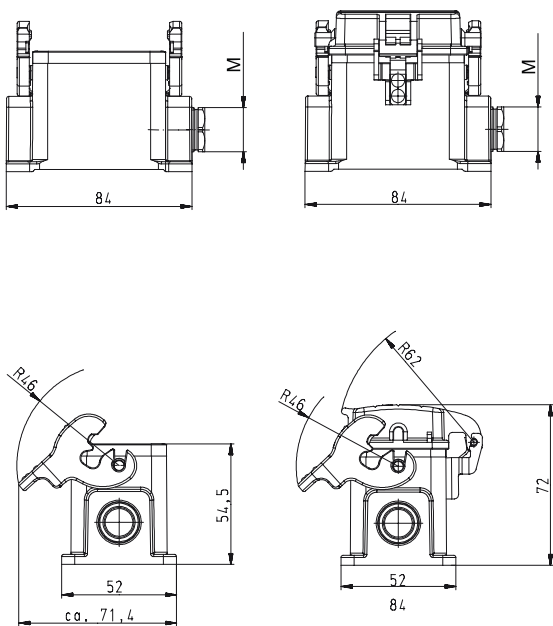
### open



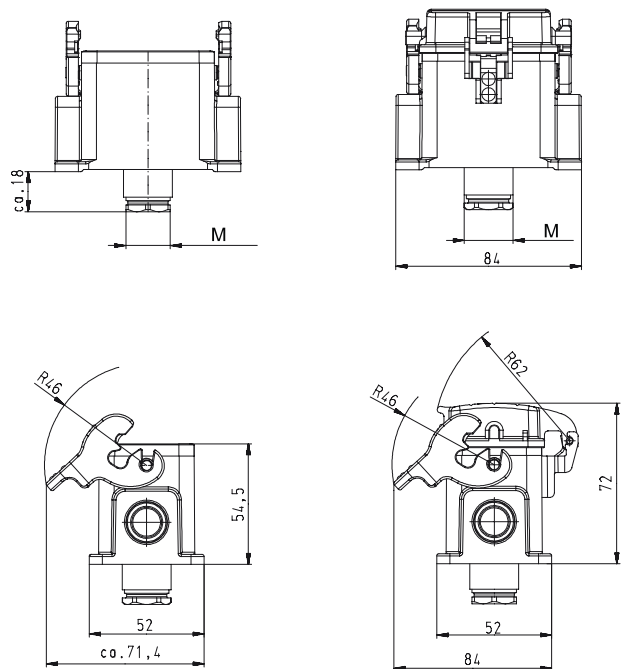
### closed, 2 cable glands



### closed, 1 cable gland




### closed, 1 cable gland, bottom





# 500 V Hoods, single locking lever Size 10

500 V Hoods Size 10	Description	Type	M	Part No.	P.U.
	<b>500 V Hoods, size 10</b>	<b>Aluminum housing</b>			
<b>Lateral cable entry</b>	<b>Lateral cable entry M20</b>				
	with cable gland, IP54, $\rightarrow \varnothing $ 3 – 14.5 mm	BAS GOT GG 10 M20 50 A0	20	71.350.1035.0	1
	with threaded collar	BAS GOT GG 10 M20 50 A1	20	71.350.1035.1	1
	with intermediate support	BAS GOT GG 10 M20 50 A2	20	71.350.1035.2	1
	with strain relief, IP54	BAS GOT GG 10 M20 50 A3	20	71.350.1035.3	1
	<b>Lateral cable entry M25</b>				
	with cable gland, IP54, $\rightarrow \varnothing $ 7.5 – 19 mm	BAS GOT GG 10 M25 50 A0	25	71.353.1035.0	1
	with threaded collar	BAS GOT GG 10 M25 50 A1	25	71.353.1035.1	1
	with intermediate support	BAS GOT GG 10 M25 50 A2	25	71.353.1035.2	1
	with strain relief, IP54	BAS GOT GG 10 M25 50 A3	25	71.353.1035.3	1
	<b>Top cable entry M20</b>				
	with cable gland, IP54, $\rightarrow \varnothing $ 3 – 14.5 mm	BAS GOT GI 10 M20 50 A0	20	71.352.1035.0	1
	with threaded collar	BAS GOT GI 10 M20 50 A1	20	71.352.1035.1	1
	with intermediate support	BAS GOT GI 10 M20 50 A2	20	71.352.1035.2	1
	with strain relief, IP54	BAS GOT GI 10 M20 50 A3	20	71.352.1035.3	1
	<b>Top cable entry M25</b>				
	with cable gland, IP54, $\rightarrow \varnothing $ 7.5 – 19 mm	BAS GOT GI 10 M25 50 A0	25	71.354.1035.0	1
	with threaded collar	BAS GOT GI 10 M25 50 A1	25	71.354.1035.1	1
	with intermediate support	BAS GOT GI 10 M25 50 A2	25	71.354.1035.2	1
	with strain relief, IP54	BAS GOT GI 10 M25 50 A3	25	71.354.1035.3	1
	<b>Multipole connectors for cable-to-cable couplings M20</b>				
	with cable gland, IP54, $\rightarrow \varnothing $ 3 – 14.5 mm	BAS GOT GI 10 M20 50 A0	20	71.352.1035.0	1
	with cable gland, IP54, $\rightarrow \varnothing $ 3 – 14.5 mm	BAS GOT GL 10 M20 50 A0	20	71.372.1035.0	1
	Locking levers and gasket				
	with threaded collar	BAS GOT GI 10 M20 50 A1	20	71.352.1035.1	1
	with threaded collar	BAS GOT GL 10 M20 50 A1	20	71.372.1035.1	1
	Locking levers and gasket				
	with strain relief, IP54	BAS GOT GI 10 M20 50 A3	20	71.352.1035.3	1
	with strain relief, IP54	BAS GOT GL 10 M20 50 A3	20	71.372.1035.3	1
	Locking levers and gasket				
	<b>Technical data</b>				
	Material	Die cast aluminum alloy			
	Surface	silicon-free			
	Locking levers at Multipole connectors	Handle: Polyamide, UL94-V0; stainless steel: V2A			
	Gasket at Multipole connectors	NBR			
	<b>Degree of protection</b>				
	with latched locking levers	IP54			
	with appropriate cable glands	IP65			
	Temperature range	-40 – +120 °C			
	<b>Top cable entry</b>				
					
	<b>Multipole connectors for cable-to-cable couplings</b>				
					
	Description	Type	M	Part No.	P.U.
	<b>Accessories</b>				
	Cable gland IP68, plastic material, gray	Connection range 6 – 12 mm	20	Z5.507.1353.0	10
	Cable gland IP68, nickel-plated brass	Connection range 8 – 13 mm	20	Z5.507.1321.0	10
	Cable gland IP68, plastic material, gray	Connection range 7 – 16 mm	25	Z5.507.1553.0	10
	Cable gland IP68, nickel-plated brass	Connection range 11 – 18 mm	25	Z5.507.1521.0	10
	<b>Contact inserts</b>				
	See the product matrix			Page 24–25	

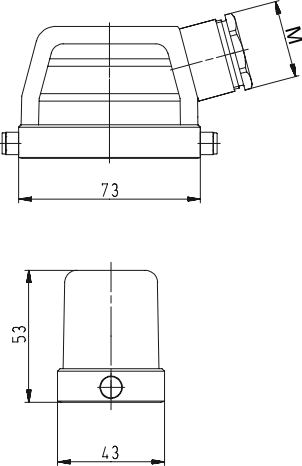
**Note:**

In 2013 the design of the revos housings will change. Through the use of an integrated insulation strip, voltage ranges of up to 690 V can then be covered. Additionally, a new, flexible marking system will be available to you.

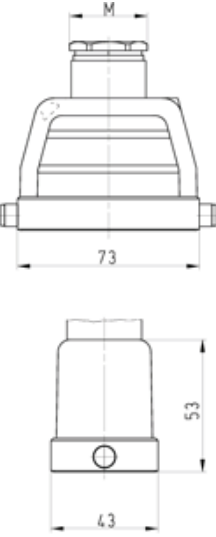
# Dimensions

## Hoods

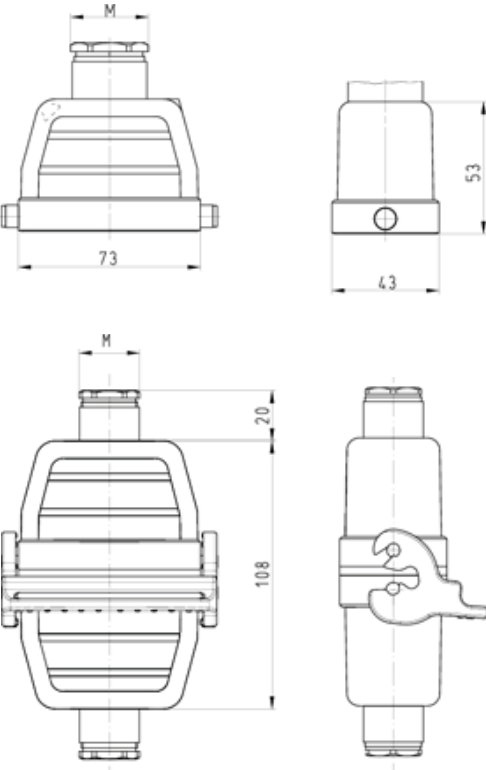
### Lateral cable entry



### Top cable entry



## Multipole connectors for cable-to-cable couplings



## 500 V Hoods, single locking lever Size 10H, increased height design

### 500 V Hoods Size 10H, increased height design

#### Lateral cable entry



#### Top cable entry



Description	Type	M	Part No.	P.U.
<b>500 V Hoods, size 10H</b>	<b>Aluminum housing</b>			
<b>Lateral cable entry M25</b>				
with cable gland, IP54, $\rightarrow \varnothing \leftarrow$ 7.5 – 19 mm	BAS GOT GG 10H M25 50 A0	25	76.350.1035.0	1
with threaded collar	BAS GOT GG 10H M25 50 A1	25	76.350.1035.1	1
<b>Lateral cable entry M32</b>				
with cable gland, IP54, $\rightarrow \varnothing \leftarrow$ 15 – 26.5 mm	BAS GOT GG 10H M32 50 A0	32	76.353.1035.0	1
with threaded collar	BAS GOT GG 10H M32 50 A1	32	76.353.1035.1	1
with intermediate support	BAS GOT GG 10H M32 50 A2	32	76.353.1035.2	1
<b>Top cable entry M25</b>				
with cable gland, IP54, $\rightarrow \varnothing \leftarrow$ 7.5 – 19 mm	BAS GOT GI 10H M25 50 A0	25	76.352.1035.0	1
with threaded collar	BAS GOT GI 10H M25 50 A1	25	76.352.1035.1	1
<b>Top cable entry M32</b>				
with cable gland, IP54, $\rightarrow \varnothing \leftarrow$ 15 – 26.5 mm	BAS GOT GI 10H M32 50 A0	32	76.354.1035.0	1
with threaded collar	BAS GOT GI 10H M32 50 A1	32	76.354.1035.1	1
with intermediate support	BAS GOT GI 10H M32 50 A2	32	76.354.1035.2	1
<b>Technical data</b>				
Material	Die cast aluminum alloy			
Surface	silicon-free			
Locking levers	–			
Gasket	–			
<b>Degree of protection</b>				
with latched locking levers	IP54			
with appropriate cable glands	IP65			
Temperature range	-40 – +120 °C			
Description	Type	M	Part No.	P.U.
<b>Accessories</b>				
Cable gland IP68, plastic material, gray	Connection range 7 – 16 mm	25	Z5.507.1553.0	10
Cable gland IP68, nickel-plated brass	Connection range 11 – 18 mm	25	Z5.507.1521.0	10
Cable gland IP68, plastic material, gray	Connection range 10 – 21 mm	32	Z5.507.1753.0	10
Cable gland IP68, nickel-plated brass	Connection range 15 – 21 mm	32	Z5.507.1721.0	10
<b>Contact inserts</b>				
See the product matrix			Page 24–25	

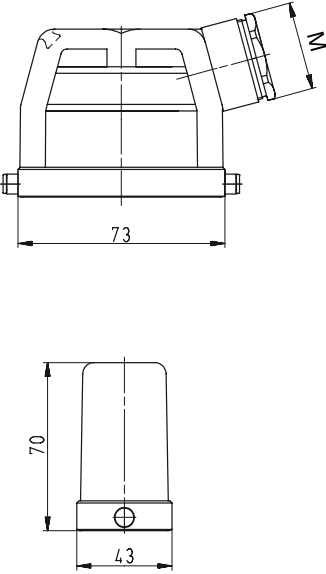
**Note:**

In 2013 the housing will be equipped with an insulation strip. With this modification, voltage ranges of up to 690 V can be covered.

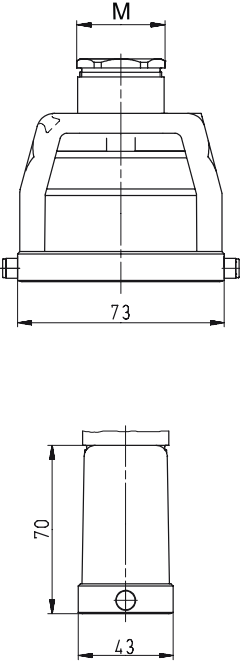
# Dimensions

## Hoods




### Lateral cable entry



### Top cable entry



# 500 V Bases, single locking lever Size 10

500 V Bases, Size 10		Description	Type	M	Part No.	P.U.	
<p><b>open</b> without cover with cover</p> 	<b>500 V Bases, size 10</b>		<b>Aluminum housing</b>				
	<b>Open-bottom base</b>						
		without cover	BAS GUT GK 10 50 A		71.320.1028.0	1	
		with cover	BAS GUT GP 10 50 A		71.325.1028.0	1	
	<b>Closed-bottom base</b>						
	<b>2 cable glands, 2 x M20</b>						
		<b>without cover</b>					
		with cable gland, IP54, $\rightarrow \varnothing \leftarrow$ 3 – 14.5 mm	BAS GUT GL 10 M20 50 A0	20	71.330.1035.0	1	
		with threaded collar	BAS GUT GL 10 M20 50 A1	20	71.330.1035.1	1	
		<b>with cover</b>					
		with cable gland, IP54, $\rightarrow \varnothing \leftarrow$ 3 – 14.5 mm	BAS GUT GR 10 M20 50 A0	20	71.340.1035.0	1	
		with threaded collar	BAS GUT GR 10 M20 50 A1	20	71.340.1035.1	1	
<p><b>closed</b> <b>1 cable gland</b> without cover with cover</p> 	<b>1 cable gland, left, 1 x M20</b>						
		<b>without cover</b>					
		with cable gland, IP54, $\rightarrow \varnothing \leftarrow$ 3 – 14.5 mm	BAS GUT GM 10 M20 50 A0	20	71.331.1035.0	1	
		with threaded collar	BAS GUT GM 10 M20 50 A1	20	71.331.1035.1	1	
		<b>with cover</b>					
		with cable gland, IP54, $\rightarrow \varnothing \leftarrow$ 3 – 14.5 mm	BAS GUT GS 10 M20 50 A0	20	71.341.1035.0	1	
		with threaded collar	BAS GUT GS 10 M20 50 A1	20	71.341.1035.1	1	
	<b>1 cable gland, left, 1 x M25</b>						
		<b>without cover</b>					
		with cable gland, IP54, $\rightarrow \varnothing \leftarrow$ 7.5 – 19 mm	BAS GUT GM 10 M25 50 A0	25	71.335.1035.0	1	
		with threaded collar	BAS GUT GM 10 M25 50 A1	25	71.335.1035.1	1	
	<b>1 cable gland, right, 1 x M20</b>						
	<b>with cover</b>						
	with cable gland, IP54, $\rightarrow \varnothing \leftarrow$ 3 – 14.5 mm	BAS GUT GT 10 M20 50 A0	20	71.342.1035.0	1		
	with threaded collar	BAS GUT GT 10 M20 50 A1	20	71.342.1035.1	1		
<p><b>closed</b> <b>1 cable gland, bottom</b> without cover with cover</p> 	<b>1 cable gland, bottom, 1 x M20</b>						
		<b>without cover</b>					
		with cable gland, IP54, $\rightarrow \varnothing \leftarrow$ 3 – 14.5 mm	BAS GUT GO 10 M20 50 A0	20	71.333.1035.0	1	
		with threaded collar	BAS GUT GO 10 M20 50 A1	20	71.333.1035.1	1	
		<b>with cover</b>					
		with cable gland, IP54, $\rightarrow \varnothing \leftarrow$ 3 – 14.5 mm	BAS GUT GU 10 M20 50 A0	20	71.343.1035.0	1	
		with threaded collar	BAS GUT GU 10 M20 50 A1	20	71.343.1035.1	1	
	<b>Technical data</b>						
	Material		Die cast aluminum alloy				
	Surface		silicon-free				
	Locking levers		Handle: Polyamide, UL94-V0; stainless steel: V2A				
	Gasket		NBR				
<b>Degree of protection</b>							
with latched locking levers		IP54					
with appropriate cable glands		IP65					
Temperature range		-40 – +120 °C					
Description		Type	M	Part No.	P.U.		
<b>Accessories</b>							
Cable gland IP68, plastic material, gray		Connection range 6 – 12 mm	20	Z5.507.1353.0	10		
Cable gland IP68, nickel-plated brass		Connection range 8 – 13 mm	20	Z5.507.1321.0	10		
Cable gland IP68, plastic material, gray		Connection range 7 – 16 mm	25	Z5.507.1553.0	10		
Cable gland IP68, nickel-plated brass		Connection range 11 – 18 mm	25	Z5.507.1521.0	10		
<b>Contact inserts</b>							
See the product matrix				Page 24–25			

All Bases on this page are also available in M25 design.  
The fifth digit of the part number always increases by 4 for M25 compared to the corresponding M20 designs.  
Example:  
71.341.1035.0 for M20 becomes 71.345.1035.0 for M25

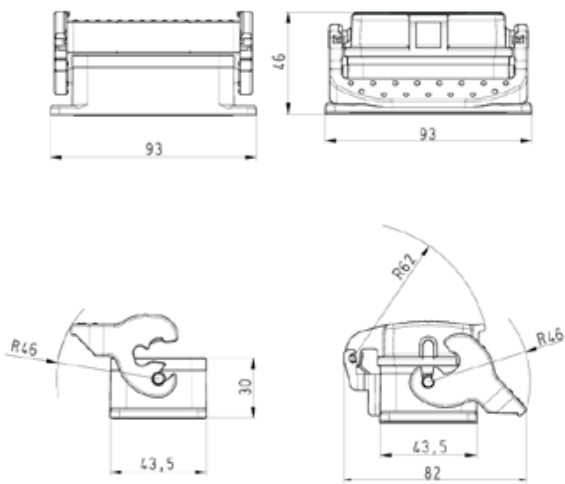
**Note:**

In 2013 the design of the revos housings will change. Through the use of an integrated insulation strip, voltage ranges of up to 690 V can then be covered. Additionally, a new, flexible marking system will be available to you.

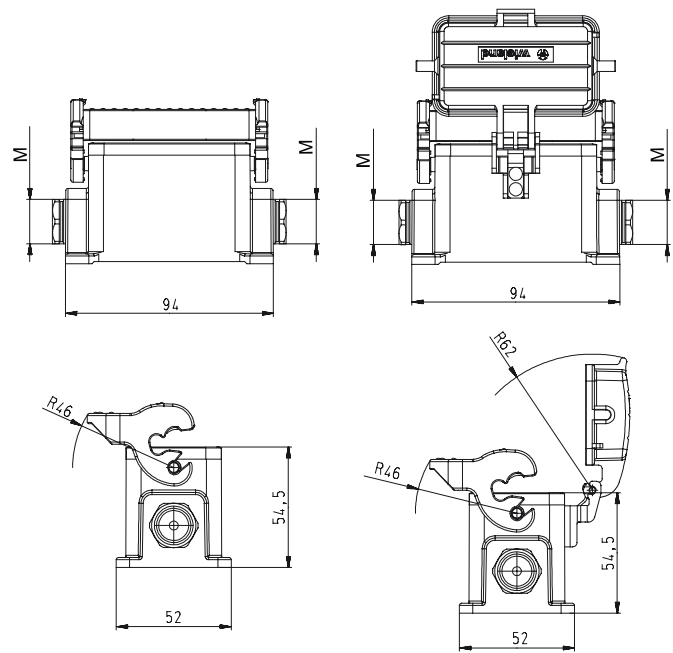
# Dimensions

## Bases

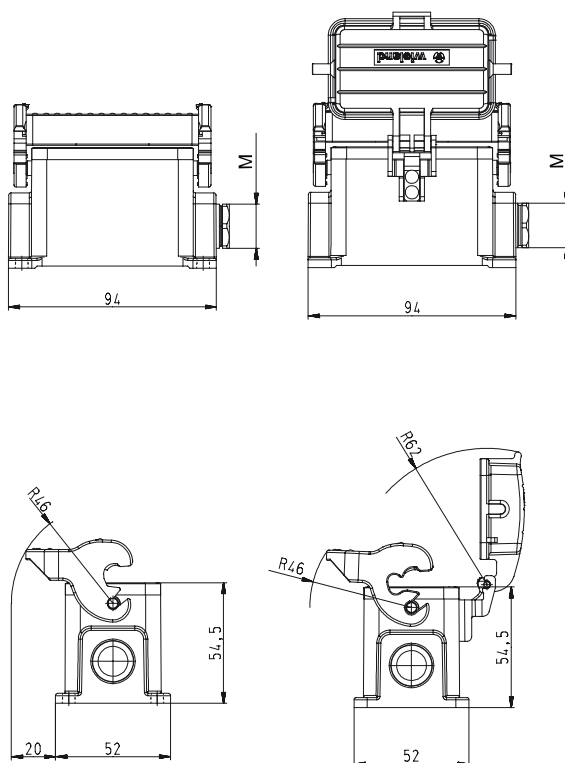
### open



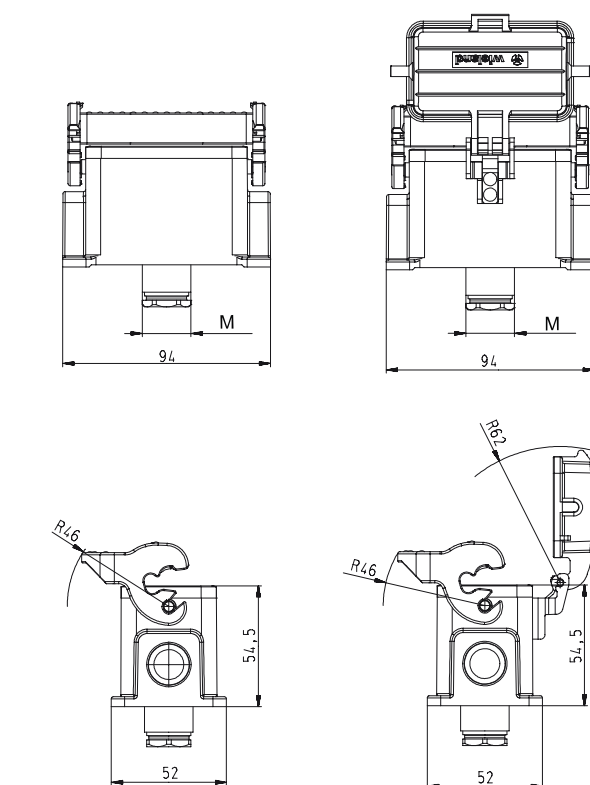
### closed, 2 cable glands



### closed, 1 cable gland



### closed, 1 cable gland, bottom



# 500 V Bases, single locking lever Size 10H, increased height design

## 500 V Bases Size 10H, increased height design



### closed M25 without cover with cover



### closed M32 with threaded collar



Description	Type	M	Part No.	P.U.
<b>500 V Bases, size 10H</b>				
<b>Closed-bottom base</b>				
<b>2 cable glands, 2 x M25</b>				
<b>without cover</b>				
with cable gland, IP54, $\rightarrow \varnothing \leftarrow$ 7.5 – 19 mm	BAS GUT GL 10H M25 50 A0	25	76.330.1035.0	1
with threaded collar	BAS GUT GL 10H M25 50 A1	25	76.330.1035.1	1
<b>with cover</b>				
with cable gland, IP54, $\rightarrow \varnothing \leftarrow$ 7.5 – 19 mm	BAS GUT GR 10H M25 50 A0	25	76.340.1035.0	1
with threaded collar	BAS GUT GR 10H M25 50 A1	25	76.340.1035.1	1
<b>2 cable glands, 2 x M32</b>				
<b>without cover</b>				
with cable gland, IP54, $\rightarrow \varnothing \leftarrow$ 15 – 26.5 mm	BAS GUT GL 10H M32 50 A0	32	76.334.1035.0	1
with threaded collar	BAS GUT GL 10H M32 50 A1	32	76.334.1035.1	1
<b>with cover</b>				
with cable gland, IP54, $\rightarrow \varnothing \leftarrow$ 15 – 26.5 mm	BAS GUT GR 10H M32 50 A0	32	76.344.1035.0	1
with threaded collar	BAS GUT GR 10H M32 50 A1	32	76.344.1035.1	1
<b>1 cable gland, left, 1 x M25</b>				
<b>without cover</b>				
with cable gland, IP54, $\rightarrow \varnothing \leftarrow$ 7.5 – 19 mm	BAS GUT GM 10H M25 50 A0	25	76.331.1035.0	1
with threaded collar	BAS GUT GM 10H M25 50 A1	25	76.331.1035.1	1
<b>with cover</b>				
with cable gland, IP54, $\rightarrow \varnothing \leftarrow$ 7.5 – 19 mm	BAS GUT GS 10H M25 50 A0	25	76.341.1035.0	1
with threaded collar	BAS GUT GS 10H M25 50 A1	25	76.341.1035.1	1
<b>1 cable gland, left, 1 x M32</b>				
<b>without cover</b>				
with cable gland, IP54, $\rightarrow \varnothing \leftarrow$ 15 – 26.5 mm	BAS GUT GM 10H M32 50 A0	32	76.335.1035.0	1
with threaded collar	BAS GUT GM 10H M32 50 A1	32	76.335.1035.1	1
<b>with cover</b>				
with cable gland, IP54, $\rightarrow \varnothing \leftarrow$ 15 – 26.5 mm	BAS GUT GR 10H M32 50 A0	32	76.345.1035.0	1
with threaded collar	BAS GUT GR 10H M32 50 A1	32	76.345.1035.1	1
<b>1 cable gland, right, 1 x M25</b>				
<b>with cover</b>				
with cable gland, IP54, $\rightarrow \varnothing \leftarrow$ 7.5 – 19 mm	BAS GUT GT 10H M25 50 A0	25	76.342.1035.0	1
with threaded collar	BAS GUT GT 10H M25 50 A1	25	76.342.1035.1	1
<b>1 cable gland, right, 1 x M32</b>				
<b>with cover</b>				
with cable gland, IP54, $\rightarrow \varnothing \leftarrow$ 15 – 26.5 mm	BAS GUT GT 10H M32 50 A0	32	76.346.1035.0	1
with threaded collar	BAS GUT GT 10H M32 50 A1	32	76.346.1035.1	1
<b>Technical data</b>				
Material	Die cast aluminum alloy			
Surface	silicon-free			
Locking levers	Handle: Polyamide, UL94-V0; stainless steel: V2A			
Gasket	NBR			
<b>Degree of protection</b>				
with latched locking levers	IP54			
with appropriate cable glands	IP65			
Temperature range	-40 – +120 °C			
Description	Type	M	Part No.	P.U.
<b>Accessories</b>				
Cable gland IP68, plastic material, gray	Connection range 7 – 16 mm	25	Z5.507.1553.0	10
Cable gland IP68, nickel-plated brass	Connection range 11 – 18 mm	25	Z5.507.1521.0	10
Cable gland IP68, plastic material, gray	Connection range 10 – 21 mm	32	Z5.507.1753.0	10
Cable gland IP68, nickel-plated brass	Connection range 15 – 21 mm	32	Z5.507.1721.0	10
<b>Contact inserts</b>				
See the product matrix			Page 24–25	

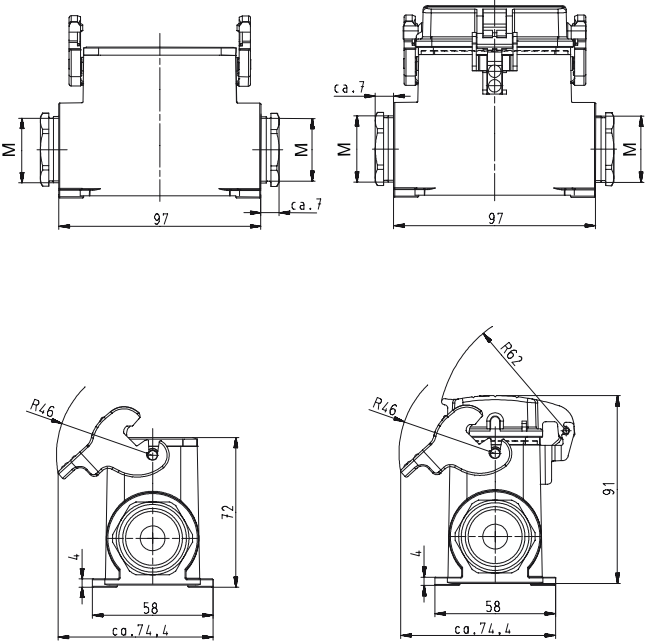
**Note:**

In 2013 the housing will be equipped with an insulation strip. With this modification, voltage ranges of up to 690 V can be covered.

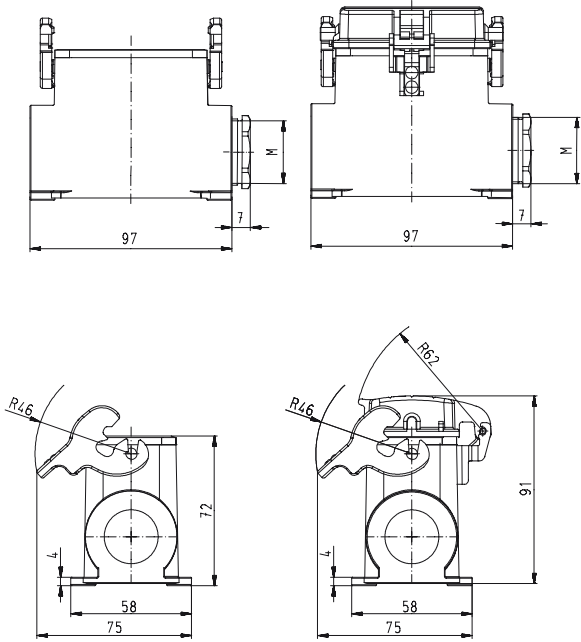
# Dimensions

## Bases

### closed, 2 cable glands



### closed, 1 cable gland





# 500 V Hoods, double locking lever Size 10

## 500 V Hoods Size 10



### Lateral cable entry



### Top cable entry



Description	Type	M	Part No.	P.U.
<b>500 V Hoods, size 10</b>				
<b>Aluminum housing</b>				
<b>Lateral cable entry M20</b>				
with cable gland, IP54, $\rightarrow \varnothing $ 3 – 14.5 mm	BAS GOT GA 10 M20 50 A0	20	70.350.1035.0	1
with threaded collar	BAS GOT GA 10 M20 50 A1	20	70.350.1035.1	1
with intermediate support	BAS GOT GA 10 M20 50 A2	20	70.350.1035.2	1
with strain relief, IP54	BAS GOT GA 10 M20 50 A3	20	70.350.1035.3	1
<b>Lateral cable entry M25</b>				
with cable gland, IP54, $\rightarrow \varnothing $ 7.5 – 19 mm	BAS GOT GA 10 M25 50 A0	25	70.353.1035.0	1
with threaded collar	BAS GOT GA 10 M25 50 A1	25	70.353.1035.1	1
with intermediate support	BAS GOT GA 10 M25 50 A2	25	70.353.1035.2	1
with strain relief, IP54	BAS GOT GA 10 M25 50 A3	25	70.353.1035.3	1
<b>Top cable entry M20</b>				
with cable gland, IP54, $\rightarrow \varnothing $ 3 – 14.5 mm	BAS GOT GC 10 M20 50 A0	20	70.352.1035.0	1
with threaded collar	BAS GOT GC 10 M20 50 A1	20	70.352.1035.1	1
with intermediate support	BAS GOT GC 10 M20 50 A2	20	70.352.1035.2	1
with strain relief, IP54	BAS GOT GC 10 M20 50 A3	20	70.352.1035.3	1
<b>Top cable entry M25</b>				
with cable gland, IP54, $\rightarrow \varnothing $ 7.5 – 19 mm	BAS GOT GC 10 M25 50 A0	25	70.354.1035.0	1
with threaded collar	BAS GOT GC 10 M25 50 A1	25	70.354.1035.1	1
with intermediate support	BAS GOT GC 10 M25 50 A2	25	70.354.1035.2	1
with strain relief, IP54	BAS GOT GC 10 M25 50 A3	25	70.354.1035.3	1
<b>Technical data</b>				
Material metal	Die cast aluminum alloy			
Surface	silicon-free			
Locking levers at Multipole connectors	-			
Gasket at Multipole connectors	-			
<b>Degree of protection</b>				
with latched locking levers	IP54			
with appropriate cable glands	IP65			
Temperature range	-40 – +120 °C			
Description	Type	M	Part No.	P.U.
<b>Accessories</b>				
Cable gland IP68, plastic material, gray	Connection range 6 – 12 mm	20	Z5.507.1353.0	10
Cable gland IP68, nickel-plated brass	Connection range 8 – 13 mm	20	Z5.507.1321.0	10
Cable gland IP68, plastic material, gray	Connection range 7 – 16 mm	25	Z5.507.1553.0	10
Cable gland IP68, nickel-plated brass	Connection range 11 – 18 mm	25	Z5.507.1521.0	10
<b>Contact inserts</b>				
See the product matrix			Page 24–25	

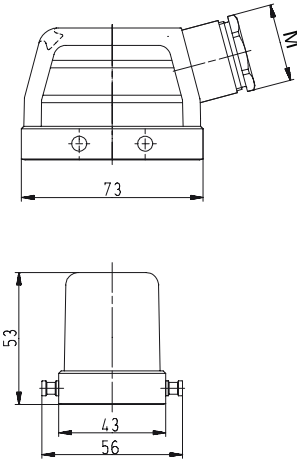
**Note:**

In 2013 the design of the revos housings will change. Through the use of an integrated insulation strip, voltage ranges of up to 690 V can then be covered. Additionally, a new, flexible marking system will be available to you.

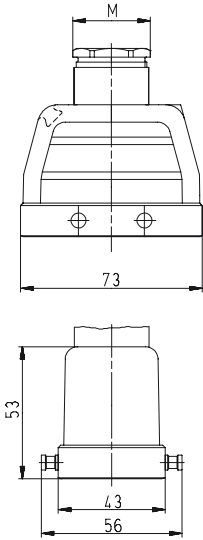
# Dimensions

## Hoods

### Lateral cable entry



### Top cable entry



# 500 V Hoods, double locking lever with Locking levers, Size 10

## 500 V Hoods Size 10



### Lateral cable entry



### Top cable entry



### Multipole connectors for cable-to-cable couplings



Description	Type	M	Part No.	P.U.
<b>500 V Hoods, size 10</b>				
<b>Aluminum housing</b>				
<b>Lateral cable entry M20</b>				
with cable gland, IP54, $\rightarrow \varnothing 1 \leftarrow$ 3 – 14.5 mm	BAS GOT GD 10 M20 50 A0	20	70.355.1035.0	1
with threaded collar	BAS GOT GD 10 M20 50 A1	20	70.355.1035.1	1
with intermediate support	BAS GOT GD 10 M20 50 A2	20	70.355.1035.2	1
with strain relief, IP54	BAS GOT GD 10 M20 50 A3	20	70.355.1035.3	1
<b>Lateral cable entry M25</b>				
with cable gland, IP54, $\rightarrow \varnothing 1 \leftarrow$ 7.5 – 19 mm	BAS GOT GD 10 M25 50 A0	25	70.358.1035.0	1
with threaded collar	BAS GOT GD 10 M25 50 A1	25	70.358.1035.1	1
with intermediate support	BAS GOT GD 10 M25 50 A2	25	70.358.1035.2	1
with strain relief, IP54	BAS GOT GD 10 M25 50 A3	25	70.358.1035.3	1
<b>Top cable entry M20</b>				
with cable gland, IP54, $\rightarrow \varnothing 1 \leftarrow$ 3 – 14.5 mm	BAS GOT GF 10 M20 50 A0	20	70.357.1035.0	1
with threaded collar	BAS GOT GF 10 M20 50 A1	20	70.357.1035.1	1
with intermediate support	BAS GOT GF 10 M20 50 A2	20	70.357.1035.2	1
with strain relief, IP54	BAS GOT GF 10 M20 50 A3	20	70.357.1035.3	1
<b>Top cable entry M25</b>				
with cable gland, IP54, $\rightarrow \varnothing 1 \leftarrow$ 7.5 – 19 mm	BAS GOT GF 10 M25 50 A0	25	70.359.1035.0	1
with threaded collar	BAS GOT GF 10 M25 50 A1	25	70.359.1035.1	1
with intermediate support	BAS GOT GF 10 M25 50 A2	25	70.359.1035.2	1
with strain relief, IP54	BAS GOT GF 10 M25 50 A3	25	70.359.1035.3	1
<b>Multipole connectors for cable-to-cable couplings M20</b>				
with cable gland, IP54, $\rightarrow \varnothing 1 \leftarrow$ 3 – 14.5 mm	BAS GOT GC 10 M20 50 A0	20	70.352.1035.0	1
with cable gland, IP54, $\rightarrow \varnothing 1 \leftarrow$ 3 – 14.5 mm	BAS GOT GK 10 M20 50 A0	20	70.372.1035.0	1
Locking levers and gasket				
with threaded collar	BAS GOT GC 10 M20 50 A1	20	70.352.1035.1	1
with threaded collar	BAS GOT GK 10 M20 50 A1	20	70.372.1035.1	1
Locking levers and gasket				
with strain relief, IP54	BAS GOT GC 10 M20 50 A3	20	70.352.1035.3	1
with strain relief, IP54	BAS GOT GK 10 M20 50 A3	20	70.372.1035.3	1
Locking levers and gasket				
<b>Technical data</b>				
Material	Die cast aluminum alloy			
Surface	silicon-free			
Locking levers	Handle: Polyamide, UL94-V0; stainless steel: V2A			
Gasket for Multipole connectors	NBR			
<b>Degree of protection</b>				
with latched locking levers	IP54			
with appropriate cable glands	IP65			
Temperature range	-40 – +120 °C			
Description	Type	M	Part No.	P.U.
<b>Accessories</b>				
Cable gland IP68, plastic material, gray	Connection range 6 – 12 mm	20	Z5.507.1353.0	10
Cable gland IP68, nickel-plated brass	Connection range 8 – 13 mm	20	Z5.507.1321.0	10
Cable gland IP68, plastic material, gray	Connection range 7 – 16 mm	25	Z5.507.1553.0	10
Cable gland IP68, nickel-plated brass	Connection range 11 – 18 mm	25	Z5.507.1521.0	10
<b>Contact inserts</b>				
See the product matrix			Page 24-25	

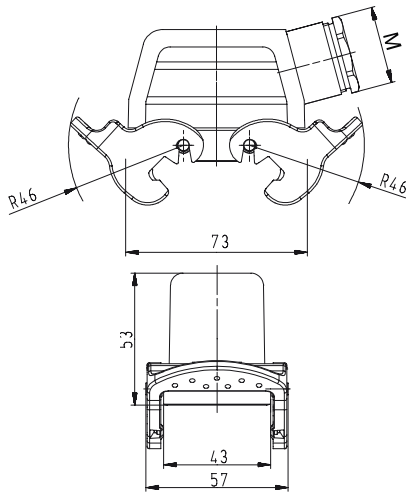
**Note:**

In 2013 the design of the revos housings will change. Through the use of an integrated insulation strip, voltage ranges of up to 690 V can then be covered. Additionally, a new, flexible marking system will be available to you.

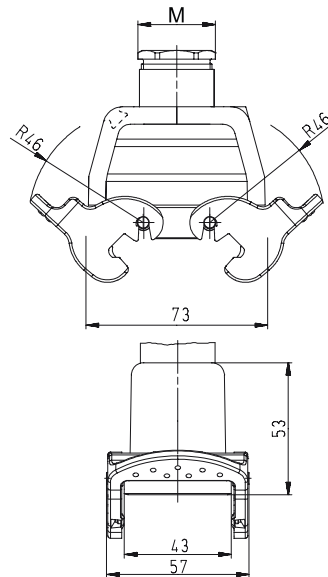
# Dimensions

## Hoods with Locking levers

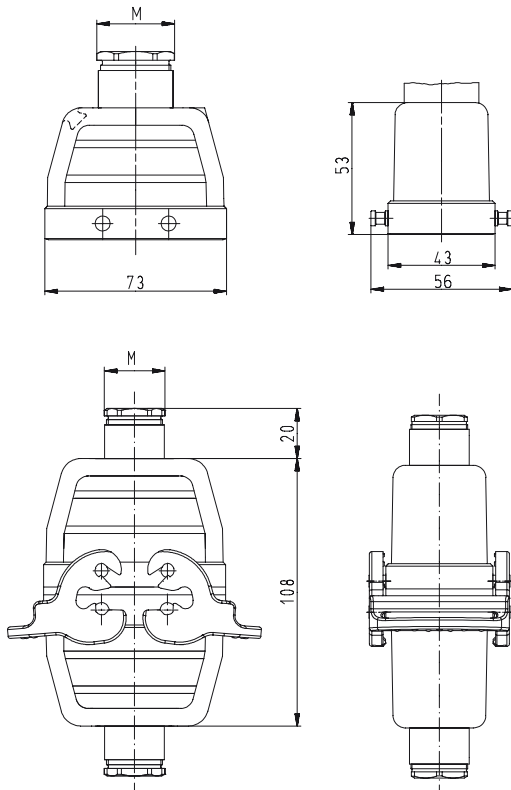
### Lateral cable entry



### Top cable entry



## Multipole connectors for cable-to-cable couplings



## 500 V Hoods, double locking lever Size 10H, increased height design

### 500 V Hoods Size 10H, increased height design

#### Lateral cable entry



#### Top cable entry



Description	Type	M	Part No.	P.U.
<b>500 V Hoods, size 10H</b>				
<b>Lateral cable entry M25</b>				
with cable gland, IP54, $\rightarrow \varnothing 1 \leftarrow$ 7.5 – 19 mm	BAS GOT GA 10H M25 50 A0	25	73.350.1035.0	1
with threaded collar	BAS GOT GA 10H M25 50 A1	25	73.350.1035.1	1
with intermediate support	BAS GOT GA 10H M25 50 A2	25	73.350.1035.2	1
with strain relief, IP54	BAS GOT GA 10H M25 50 A3	25	73.350.1035.3	1
<b>Lateral cable entry M32</b>				
with cable gland, IP54, $\rightarrow \varnothing 1 \leftarrow$ 15 – 26.5 mm	BAS GOT GA 10H M32 50 A0	32	73.353.1035.0	1
with threaded collar	BAS GOT GA 10H M32 50 A1	32	73.353.1035.1	1
with intermediate support	BAS GOT GA 10H M32 50 A2	32	73.353.1035.2	1
with strain relief, IP54	BAS GOT GA 10H M32 50 A3	32	73.353.1035.3	1
<b>Top cable entry M25</b>				
with cable gland, IP54, $\rightarrow \varnothing 1 \leftarrow$ 7.5 – 19 mm	BAS GOT GC 10H M25 50 A0	25	73.352.1035.0	1
with threaded collar	BAS GOT GC 10H M25 50 A1	25	73.352.1035.1	1
with intermediate support	BAS GOT GC 10H M25 50 A2	25	73.352.1035.2	1
with strain relief, IP54	BAS GOT GC 10H M25 50 A3	25	73.352.1035.3	1
<b>Top cable entry M32</b>				
with cable gland, IP54, $\rightarrow \varnothing 1 \leftarrow$ 15 – 26.5 mm	BAS GOT GC 10H M32 50 A0	32	73.354.1035.0	1
with threaded collar	BAS GOT GC 10H M32 50 A1	32	73.354.1035.1	1
with intermediate support	BAS GOT GC 10H M32 50 A2	32	73.354.1035.2	1
with strain relief, IP54	BAS GOT GC 10H M32 50 A3	32	73.354.1035.3	1
<b>Technical data</b>				
Material	Die cast aluminum alloy			
Surface	silicon-free			
Locking levers	–			
Gasket	–			
<b>Degree of protection</b>				
with latched locking levers	IP54			
with appropriate cable glands	IP65			
Temperature range	-40 – +120 °C			
Description	Type	M	Part No.	P.U.
<b>Accessories</b>				
Cable gland IP68, plastic material, gray	Connection range 7 – 16 mm	25	Z5.507.1553.0	10
Cable gland IP68, nickel-plated brass	Connection range 11 – 18 mm	25	Z5.507.1521.0	10
Cable gland IP68, plastic material, gray	Connection range 10 – 21 mm	32	Z5.507.1753.0	10
Cable gland IP68, nickel-plated brass	Connection range 15 – 21 mm	32	Z5.507.1721.0	10
<b>Contact inserts</b>				
See the product matrix			Page 24–25	

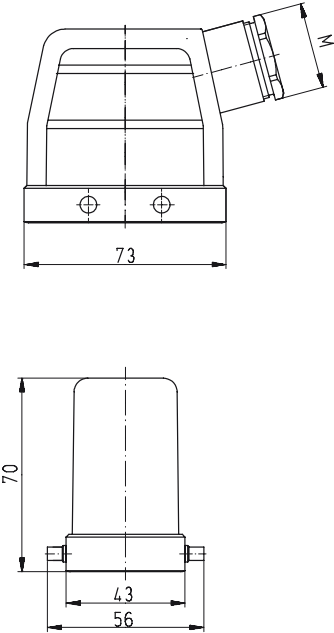
**Note:**

In 2013 the housing will be equipped with an insulation strip. With this modification, voltage ranges of up to 690 V can be covered.

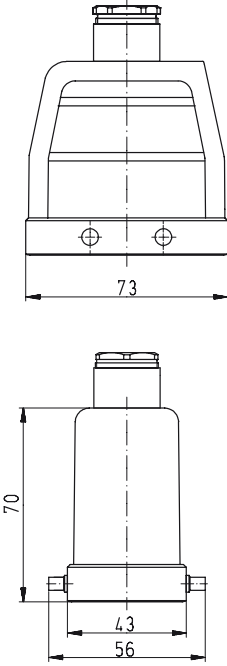
# Dimensions

## Hoods




### Lateral cable entry



### Top cable entry



# 500 V Bases, double locking lever Size 10

500 V Bases, Size 10		Description	Type	M	Part No.	P.U.
<b>open</b> without cover with cover 		<b>500 V Bases, size 10</b>				
		<b>Open-bottom base</b>				
<b>closed</b> <b>1 cable gland</b> without cover with cover 		without cover				
		with cover				
<b>closed</b> <b>1 cable gland, bottom</b> without cover with cover 		without cover				
		with cover				
		<b>Closed-bottom base</b>				
		<b>2 cable glands, 2 x M20</b>				
		<b>without cover</b>				
		with cable gland, IP54, $\rightarrow \varnothing \leftarrow$ 3 – 14.5 mm				
		with threaded collar				
		<b>with cover</b>				
		with cable gland, IP54, $\rightarrow \varnothing \leftarrow$ 3 – 14.5 mm				
		with threaded collar				
		<b>2 cable glands, 2 x M25</b>				
		<b>without cover</b>				
		with cable gland, IP54, $\rightarrow \varnothing \leftarrow$ 7.5 – 19 mm				
		with threaded collar				
		<b>with cover</b>				
		with cable gland, IP54, $\rightarrow \varnothing \leftarrow$ 7.5 – 19 mm				
		with threaded collar				
		<b>1 cable gland, left, 1 x M20</b>				
		<b>without cover</b>				
		with cable gland, IP54, $\rightarrow \varnothing \leftarrow$ 3 – 14.5 mm				
		with threaded collar				
		<b>with cover</b>				
		with cable gland, IP54, $\rightarrow \varnothing \leftarrow$ 3 – 14.5 mm				
		with threaded collar				
		<b>1 cable gland, left, 1 x M25</b>				
		<b>without cover</b>				
		with cable gland, IP54, $\rightarrow \varnothing \leftarrow$ 7.5 – 19 mm				
		with threaded collar				
		<b>1 cable gland, right, 1 x M20</b>				
		<b>with cover</b>				
		with cable gland, IP54, $\rightarrow \varnothing \leftarrow$ 3 – 14.5 mm				
		with threaded collar				
		<b>1 cable gland, bottom, 1 x M20</b>				
		<b>without cover</b>				
		with cable gland, IP54, $\rightarrow \varnothing \leftarrow$ 3 – 14.5 mm				
		with threaded collar				
		<b>with cover</b>				
		with cable gland, IP54, $\rightarrow \varnothing \leftarrow$ 3 – 14.5 mm				
		with threaded collar				
		<b>1 cable gland, bottom, 1 x M25</b>				
		<b>without cover</b>				
		with cable gland, IP54, $\rightarrow \varnothing \leftarrow$ 7.5 – 19 mm				
		with threaded collar				
		<b>Technical data</b>				
		Material	Die cast aluminum alloy			
		Surface	silicon-free			
		Locking levers	Handle: Polyamide, UL94-V0; stainless steel: V2A			
		Gasket	NBR			
		<b>Degree of protection</b>				
		with latched locking levers				
		with appropriate cable glands				
		Temperature range				
		-40 – +120 °C				
		Description	Type	M	Part No.	P.U.
		<b>Accessories</b>				
		Cable gland IP68, plastic material, gray	Connection range 6 – 12 mm	20	Z5.507.1353.0	10
		Cable gland IP68, nickel-plated brass	Connection range 8 – 13 mm	20	Z5.507.1321.0	10
		Cable gland IP68, plastic material, gray	Connection range 7 – 16 mm	25	Z5.507.1553.0	10
		Cable gland IP68, nickel-plated brass	Connection range 11 – 18 mm	25	Z5.507.1521.0	10
		<b>Contact inserts</b>				
		See the product matrix				
		Page 24–25				
		All Bases on this page are also available in M25 design. The fifth digit of the part number always increases by 4 for M25 compared to the corresponding M20 designs. Example: 70.341.1035.0 for M20 becomes 70.345.0635.0 for M25				

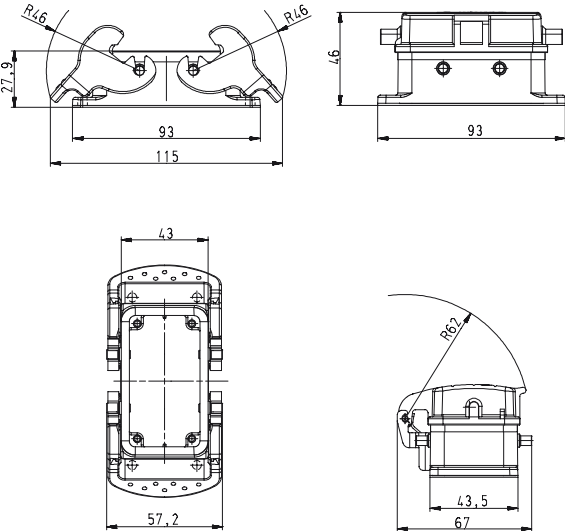
**Note:**

In 2013 the design of the revos housings will change. Through the use of an integrated insulation strip, voltage ranges of up to 690 V can then be covered. Additionally, a new, flexible marking system will be available to you.

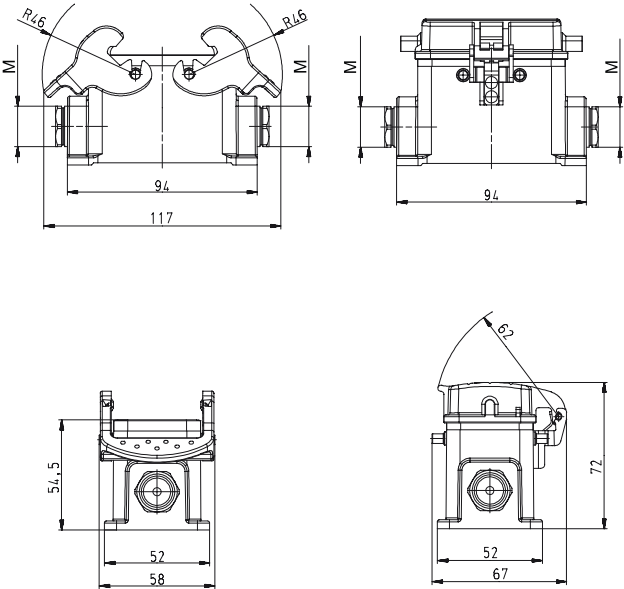
# Dimensions

## Bases

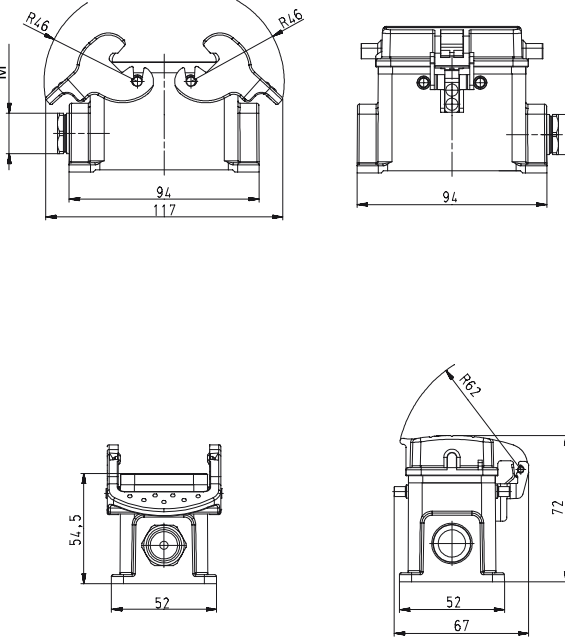
### open



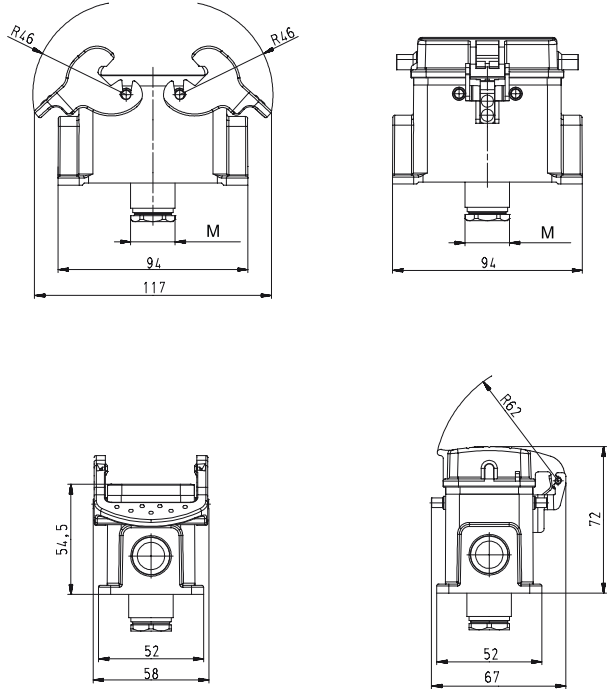
### closed, 2 cable glands



### closed, 1 cable gland



### closed, 1 cable gland, bottom





# 500 V Bases, double locking lever Size 10H, increased height design

**500 V Bases  
Size 10H,  
increased height design**

**closed M25  
2 cable glands**  
without cover  
with cover



Description	Type	M	Part No.	P.U.
<b>500 V Bases, size 10H</b>	<b>Aluminum housing</b>			
<b>Closed-bottom base</b>				
<b>2 cable glands, 2 x M25</b>				
<b>without cover</b>				
with cable gland, IP54, $\rightarrow \varnothing $ 7.5 – 19 mm	BAS GUT GB 10H M25 50 A0	25	73.330.1035.0	1
with threaded collar	BAS GUT GB 10H M25 50 A1	25	73.330.1035.1	1
<b>with cover</b>				
with cable gland, IP54, $\rightarrow \varnothing $ 7.5 – 19 mm	BAS GUT GF 10H M25 50 A0	25	73.340.1035.0	1
with threaded collar	BAS GUT GF 10H M25 50 A1	25	73.340.1035.1	1
<b>2 cable glands, 2 x M32</b>				
<b>without cover</b>				
with cable gland, IP54, $\rightarrow \varnothing $ 15 – 26.5 mm	BAS GUT GB 10H M32 50 A0	32	73.334.1035.0	1
with threaded collar	BAS GUT GB 10H M32 50 A1	32	73.334.1035.1	1
<b>with cover</b>				
with cable gland, IP54, $\rightarrow \varnothing $ 15 – 26.5 mm	BAS GUT GF 10H M32 50 A0	32	73.344.1035.0	1
with threaded collar	BAS GUT GF 10H M32 50 A1	32	73.344.1035.1	1
<b>1 cable gland, left, 1 x M25</b>				
<b>without cover</b>				
with cable gland, IP54, $\rightarrow \varnothing $ 7.5 – 19 mm	BAS GUT GC 10H M25 50 A0	25	73.331.1035.0	1
with threaded collar	BAS GUT GC 10H M25 50 A1	25	73.331.1035.1	1
<b>with cover</b>				
with cable gland, IP54, $\rightarrow \varnothing $ 7.5 – 19 mm	BAS GUT GG 10H M25 50 A0	25	73.341.1035.0	1
with threaded collar	BAS GUT GG 10H M25 50 A1	25	73.341.1035.1	1
<b>1 cable gland, left, 1 x M32</b>				
<b>without cover</b>				
with cable gland, IP54, $\rightarrow \varnothing $ 15 – 26.5 mm	BAS GUT GC 10H M32 50 A0	32	73.335.1035.0	1
with threaded collar	BAS GUT GC 10H M32 50 A1	32	73.335.1035.1	1
<b>with cover</b>				
with cable gland, IP54, $\rightarrow \varnothing $ 15 – 26.5 mm	BAS GUT GG 10H M32 50 A0	32	73.345.1035.0	1
with threaded collar	BAS GUT GG 10H M32 50 A1	32	73.345.1035.1	1
<b>1 cable gland, right, 1 x M25</b>				
<b>with cover</b>				
with cable gland, IP54, $\rightarrow \varnothing $ 7.5 – 19 mm	BAS GUT GH 10H M25 50 A0	25	73.342.1035.0	1
with threaded collar	BAS GUT GH 10H M25 50 A1	25	73.342.1035.1	1
<b>1 cable gland, right, 1 x M32</b>				
<b>with cover</b>				
with cable gland, IP54, $\rightarrow \varnothing $ 15 – 26.5 mm	BAS GUT GH 10H M32 50 A0	32	73.346.1035.0	1
with threaded collar	BAS GUT GH 10H M32 50 A1	32	73.346.1035.1	1
<b>Technical data</b>				
Material	Die cast aluminum alloy			
Surface	silicon-free			
Locking levers	Handle: Polyamide, UL94-V0; stainless steel: V2A			
Gasket	NBR			
<b>Degree of protection</b>				
with latched locking levers	IP54			
with appropriate cable glands	IP65			
Temperature range	-40 – +120 °C			
Description	Type	M	Part No.	P.U.
<b>Accessories</b>				
Cable gland IP68, plastic material, gray	Connection range 7 – 16 mm	25	Z5.507.1553.0	10
Cable gland IP68, nickel-plated brass	Connection range 11 – 18 mm	25	Z5.507.1521.0	10
Cable gland IP68, plastic material, gray	Connection range 10 – 21 mm	32	Z5.507.1753.0	10
Cable gland IP68, nickel-plated brass	Connection range 15 – 21 mm	32	Z5.507.1721.0	10
<b>Contact inserts</b>				
See the product matrix			Page 24–25	

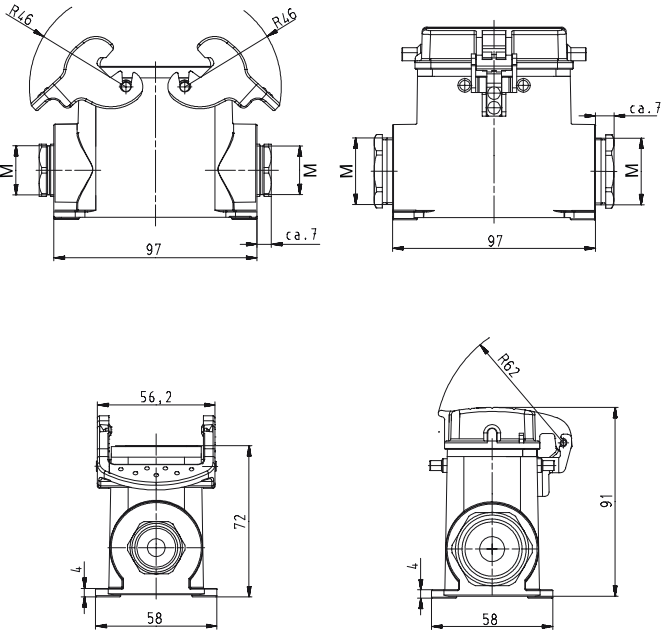
**Note:**

In 2013 the housing will be equipped with an insulation strip. With this modification, voltage ranges of up to 690 V can be covered.

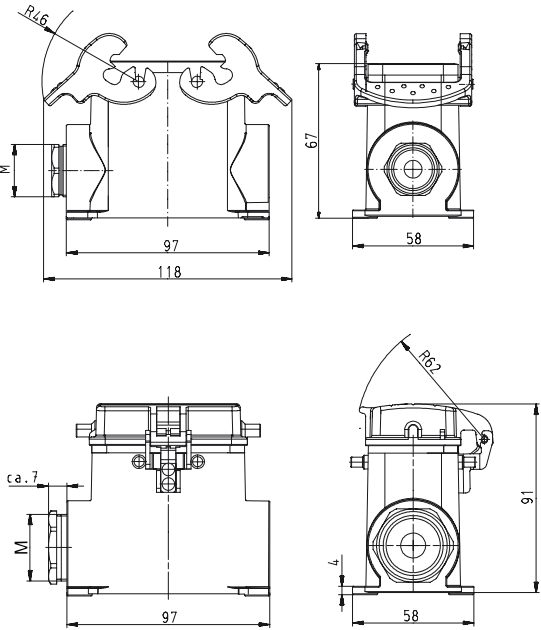
# Dimensions

## Bases





### closed, 2 cable glands



### closed, 1 cable gland



# 690 V Hoods, single locking lever Size 10

690 V Hoods Size 10	Description	Type	M	Part No.	P.U.
	<b>690 V Hoods, size 10</b>	<b>Aluminum housing</b>			
<b>Lateral cable entry</b>	<b>Lateral cable entry M20</b>				
	with cable gland, IP54, $\rightarrow \varnothing 1 \leftarrow$ 3 – 14.5 mm	BAS GOT GG 10 M20 69 A0	20	77.350.1035.0	1
	with threaded collar	BAS GOT GG 10 M20 69 A1	20	77.350.1035.1	1
	with intermediate support	BAS GOT GG 10 M20 69 A2	20	77.350.1035.2	1
	with strain relief, IP54	BAS GOT GG 10 M20 69 A3	20	77.350.1035.3	1
	<b>Lateral cable entry M25</b>				
	with cable gland, IP54, $\rightarrow \varnothing 1 \leftarrow$ 7.5 – 19 mm	BAS GOT GG 10 M25 69 A0	25	77.353.1035.0	1
	with threaded collar	BAS GOT GG 10 M25 69 A1	25	77.353.1035.1	1
	with intermediate support	BAS GOT GG 10 M25 69 A2	25	77.353.1035.2	1
	with strain relief, IP54	BAS GOT GG 10 M25 69 A3	25	77.353.1035.3	1
	<b>Top cable entry M20</b>				
	with cable gland, IP54, $\rightarrow \varnothing 1 \leftarrow$ 3 – 14.5 mm	BAS GOT GI 10 M20 69 A0	20	77.352.1035.0	1
	with threaded collar	BAS GOT GI 10 M20 69 A1	20	77.352.1035.1	1
	with intermediate support	BAS GOT GI 10 M20 69 A2	20	77.352.1035.2	1
	with strain relief, IP54	BAS GOT GI 10 M20 69 A3	20	77.352.1035.3	1
	<b>Top cable entry M25</b>				
	with cable gland, IP54, $\rightarrow \varnothing 1 \leftarrow$ 7.5 – 19 mm	BAS GOT GI 10 M25 69 A0	25	77.354.1035.0	1
	with threaded collar	BAS GOT GI 10 M25 69 A1	25	77.354.1035.1	1
	with intermediate support	BAS GOT GI 10 M25 69 A2	25	77.354.1035.2	1
	with strain relief, IP54	BAS GOT GI 10 M25 69 A3	25	77.354.1035.3	1
	<b>Multipole connectors for cable-to-cable couplings M20</b>				
	with cable gland, IP54, $\rightarrow \varnothing 1 \leftarrow$ 3 – 14.5 mm	BAS GOT GI 10 M20 69 A0	20	77.352.1035.0	1
	with cable gland, IP54, $\rightarrow \varnothing 1 \leftarrow$ 3 – 14.5 mm	BAS GOT GL 10 M20 69 A0	20	77.372.1035.0	1
	Locking levers and gasket				
	with threaded collar	BAS GOT GI 10 M20 69 A1	20	77.352.1035.1	1
	with threaded collar	BAS GOT GL 10 M20 69 A1	20	77.372.1035.1	1
	Locking levers and gasket				
	with strain relief, IP54	BAS GOT GI 10 M20 69 A3	20	77.352.1035.3	1
	with strain relief, IP54	BAS GOT GL 10 M20 69 A3	20	77.372.1035.3	1
	Locking levers and gasket				
	<b>Technical data</b>				
	Material	Die cast aluminum alloy			
	Surface	silicon-free			
	Locking levers at Multipole connectors	Handle: Polyamide, UL94-V0; stainless steel: V2A			
	Gasket at Multipole connectors	NBR			
	<b>Degree of protection</b>				
	with latched locking levers	IP54			
	with appropriate cable glands	IP65			
	Temperature range	-40 – +120 °C			
	<b>Top cable entry</b>				
					
	<b>Multipole connectors for cable-to-cable couplings</b>				
					
	<b>Accessories</b>				
	Cable gland IP68, plastic material, gray	Connection range 6 – 12 mm	20	Z5.507.1353.0	10
	Cable gland IP68, nickel-plated brass	Connection range 8 – 13 mm	20	Z5.507.1321.0	10
	Cable gland IP68, plastic material, gray	Connection range 7 – 16 mm	25	Z5.507.1553.0	10
	Cable gland IP68, nickel-plated brass	Connection range 11 – 18 mm	25	Z5.507.1521.0	10
	<b>Contact inserts</b>				
	See the product matrix			Page 24–25	

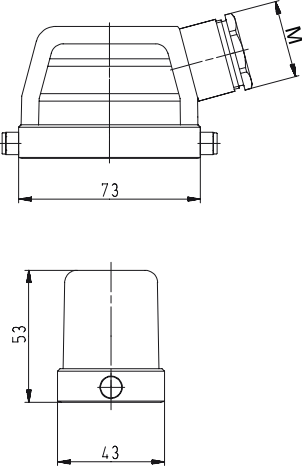
**Note:**

In 2013 the design and order numbers of the revos housings will change, but the function of the housings will remain intact. In addition, a new flexible marking system will be available to you. In the transition phase you can continue to order with the existing part number. You can find more detailed information and a cross-reference list in our e-Shop and on our homepage.

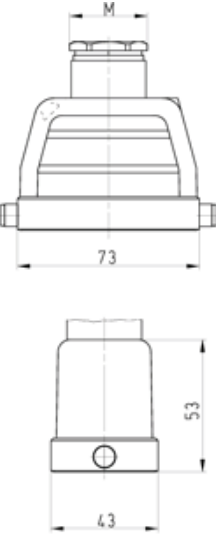
# Dimensions

## Hoods

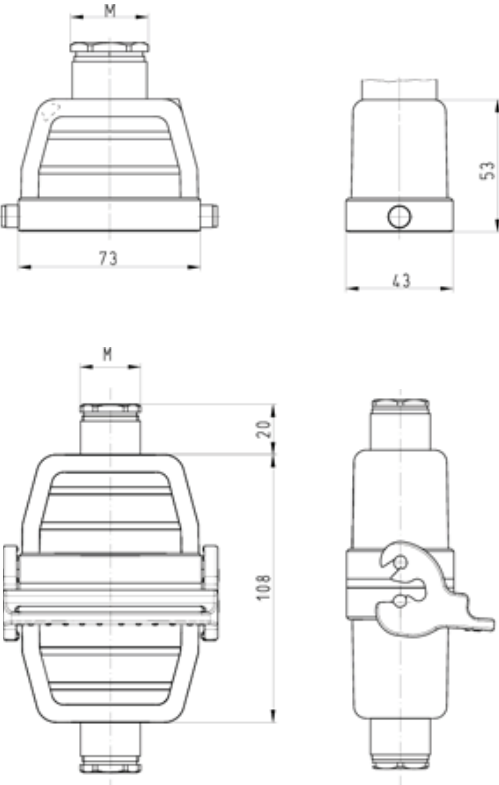
### Lateral cable entry



### Top cable entry



## Multipole connectors for cable-to-cable couplings



# 690 V Bases, single locking lever Size 10

## 690 V Bases, Size 10



### open

without cover  
with cover



### closed

#### 1 cable gland

without cover  
with cover



### closed

#### 1 cable gland, bottom

without cover  
with cover



Description	Type	M	Part No.	P.U.
<b>690 V Bases, size 10</b>				
<b>Open-bottom base</b>				
without cover	BAS GUT GK 10 69 A		77.320.1028.0	1
with cover	BAS GUT GP 10 69 A		77.325.1028.0	1
<b>Closed-bottom base</b>				
<b>2 cable glands, 2 x M20</b>				
<b>without cover</b>				
with cable gland, IP54, $\rightarrow \varnothing 1 \leftarrow 3 - 14.5$ mm	BAS GUT GL 10 M20 69 A0	20	77.330.1035.0	1
with threaded collar	BAS GUT GL 10 M20 69 A1	20	77.330.1035.1	1
<b>with cover</b>				
with cable gland, IP54, $\rightarrow \varnothing 1 \leftarrow 3 - 14.5$ mm	BAS GUT GR 10 M20 69 A0	20	77.340.1035.0	1
with threaded collar	BAS GUT GR 10 M20 69 A1	20	77.340.1035.1	1
<b>1 cable gland, left, 1 x M20</b>				
<b>without cover</b>				
with cable gland, IP54, $\rightarrow \varnothing 1 \leftarrow 3 - 14.5$ mm	BAS GUT GM 10 M20 69 A0	20	77.331.1035.0	1
with threaded collar	BAS GUT GM 10 M20 69 A1	20	77.331.1035.1	1
<b>with cover</b>				
with cable gland, IP54, $\rightarrow \varnothing 1 \leftarrow 3 - 14.5$ mm	BAS GUT GS 10 M20 69 A0	20	77.341.1035.0	1
with threaded collar	BAS GUT GS 10 M20 69 A1	20	77.341.1035.1	1
<b>1 cable gland, right, 1 x M20</b>				
<b>with cover</b>				
with cable gland, IP54, $\rightarrow \varnothing 1 \leftarrow 3 - 14.5$ mm	BAS GUT GT 10 M20 69 A0	20	77.342.1035.0	1
with threaded collar	BAS GUT GT 10 M20 69 A1	20	77.342.1035.1	1
<b>1 cable gland, bottom, 1 x M20</b>				
<b>without cover</b>				
with cable gland, IP54, $\rightarrow \varnothing 1 \leftarrow 3 - 14.5$ mm	BAS GUT GO 10 M20 69 A0	20	77.333.1035.0	1
with threaded collar	BAS GUT GO 10 M20 69 A1	20	77.333.1035.1	1
<b>with cover</b>				
with cable gland, IP54, $\rightarrow \varnothing 1 \leftarrow 3 - 14.5$ mm	BAS GUT GU 10 M20 69 A0	20	77.343.1035.0	1
with threaded collar	BAS GUT GU 10 M20 69 A1	20	77.343.1035.1	1

### Technical data

Material	Die cast aluminum alloy
Surface	silicon-free
Locking levers	Handle: Polyamide, UL94-V0; stainless steel: V2A
Gasket	NBR
<b>Degree of protection</b>	
with latched locking levers	IP54
with appropriate cable glands	IP65
Temperature range	-40 – +120 °C

Description	Type	M	Part No.	P.U.
<b>Accessories</b>				
Cable gland IP68, plastic material, gray	Connection range 6 – 12 mm	20	Z5.507.1353.0	10
Cable gland IP68, nickel-plated brass	Connection range 8 – 13 mm	20	Z5.507.1321.0	10
<b>Contact inserts</b>				
See the product matrix			Page 24–25	

All Bases on this page are also available in M25 design.  
The fifth digit of the part number always increases by 4 for M25 compared to the corresponding M20 designs.

Example:  
77.331.1035.0 for M20 becomes 77.335.1035.0 for M25

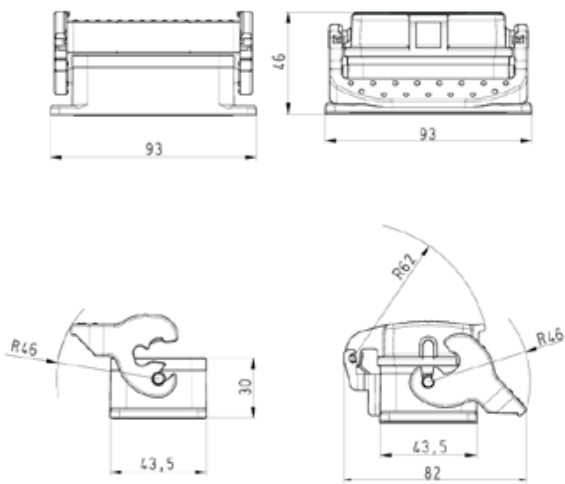
### Note:

In 2013 the design and order numbers of the revos housings will change, but the function of the housings will remain intact. In addition, a new flexible marking system will be available to you. In the transition phase you can continue to order with the existing part number. You can find more detailed information and a cross-reference list in our e-Shop and on our homepage.

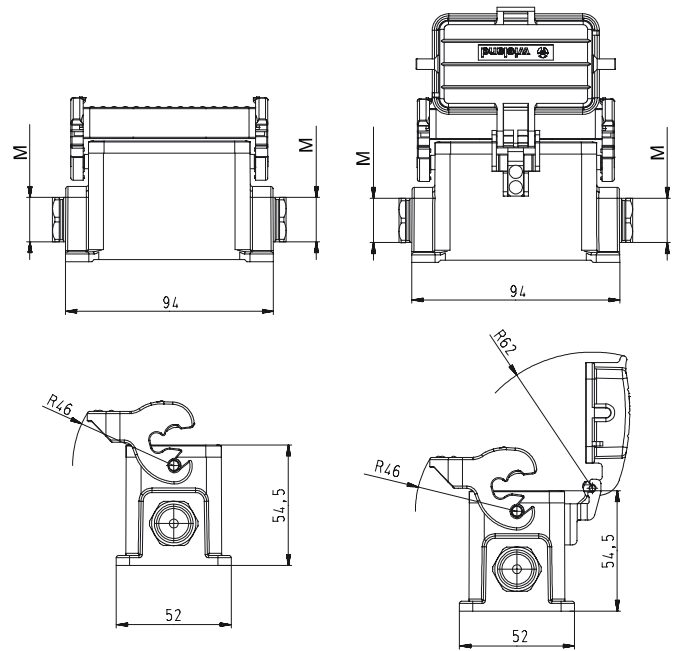
# Dimensions

## Bases

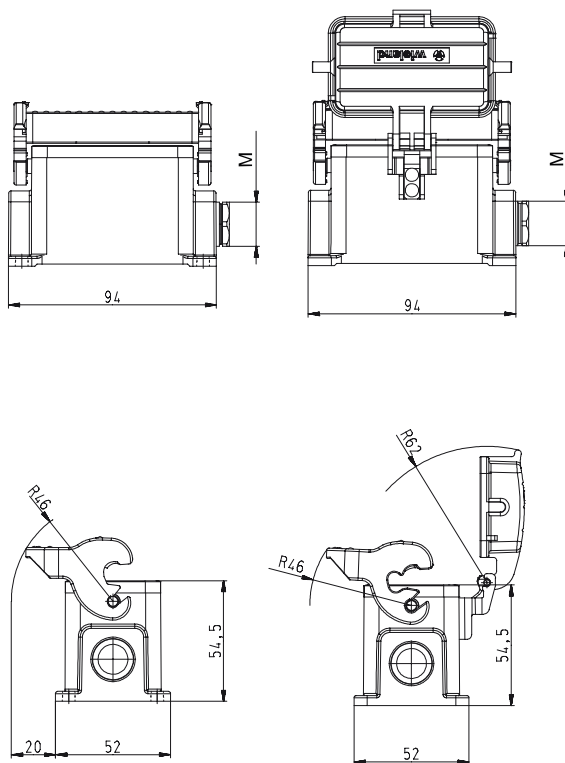
### open



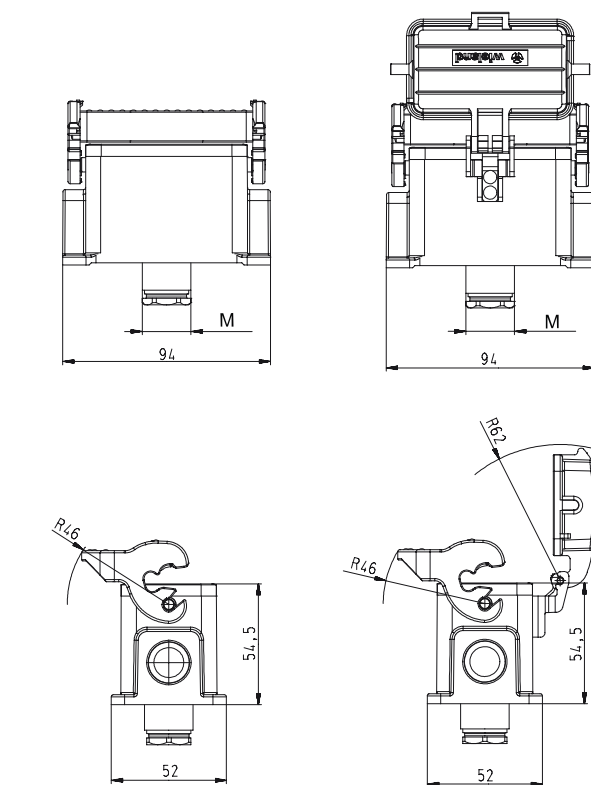
### closed, 2 cable glands






### closed, 1 cable gland



### closed, 1 cable gland, bottom



# 690 V Hoods, double locking lever Size 10

690 V Hoods Size 10		Description	Type	M	Part No.	P.U.
 <p><b>Lateral cable entry</b></p>  <hr/> <p><b>Top cable entry</b></p> 	<b>690 V Hoods, size 10</b>		<b>Aluminum housing</b>			
	<b>Lateral cable entry M20</b>					
	with cable gland, IP54, $\rightarrow$ Ø1 $\leftarrow$ 3 – 14.5 mm		BAS GOT GA 10 M20 69 A0	20	72.350.1035.0	1
	with threaded collar		BAS GOT GA 10 M20 69 A1	20	72.350.1035.1	1
	with intermediate support		BAS GOT GA 10 M20 69 A2	20	72.350.1035.2	1
	with strain relief, IP54		BAS GOT GA 10 M20 69 A3	20	72.350.1035.3	1
	<b>Lateral cable entry M25</b>					
	with cable gland, IP54, $\rightarrow$ Ø1 $\leftarrow$ 7.5 – 19 mm		BAS GOT GA 10 M25 69 A0	25	72.353.1035.0	1
	with threaded collar		BAS GOT GA 10 M25 69 A1	25	72.353.1035.1	1
	with intermediate support		BAS GOT GA 10 M25 69 A2	25	72.353.1035.2	1
	with strain relief, IP54		BAS GOT GA 10 M25 69 A3	25	72.353.1035.3	1
	<b>Top cable entry M20</b>					
	with cable gland, IP54, $\rightarrow$ Ø1 $\leftarrow$ 3 – 14.5 mm		BAS GOT GC 10 M20 69 A0	20	72.352.1035.0	1
	with threaded collar		BAS GOT GC 10 M20 69 A1	20	72.352.1035.1	1
	with intermediate support		BAS GOT GC 10 M20 69 A2	20	72.352.1035.2	1
	with strain relief, IP54		BAS GOT GC 10 M20 69 A3	20	72.352.1035.3	1
	<b>Top cable entry M25</b>					
	with cable gland, IP54, $\rightarrow$ Ø1 $\leftarrow$ 7.5 – 19 mm		BAS GOT GC 10 M25 69 A0	25	72.354.1035.0	1
	with threaded collar		BAS GOT GC 10 M25 69 A1	25	72.354.1035.1	1
	with intermediate support		BAS GOT GC 10 M25 69 A2	25	72.354.1035.2	1
with strain relief, IP54		BAS GOT GC 10 M25 69 A3	25	72.354.1035.3	1	
<b>Technical data</b>						
Material		Die cast aluminum alloy				
Surface		silicon-free				
Locking levers at Multipole connectors		-				
Gasket at Multipole connectors		-				
<b>Degree of protection</b>						
with latched locking levers		IP54				
with appropriate cable glands		IP65				
Temperature range		-40 – +120 °C				
Description		Type	M	Part No.	P.U.	
<b>Accessories</b>						
Cable gland IP68, plastic material, gray		Connection range 6 – 12 mm	20	Z5.507.1353.0	10	
Cable gland IP68, nickel-plated brass		Connection range 8 – 13 mm	20	Z5.507.1321.0	10	
Cable gland IP68, plastic material, gray		Connection range 7 – 16 mm	25	Z5.507.1553.0	10	
Cable gland IP68, nickel-plated brass		Connection range 11 – 18 mm	25	Z5.507.1521.0	10	
<b>Contact inserts</b>						
See the product matrix					Page 24–25	

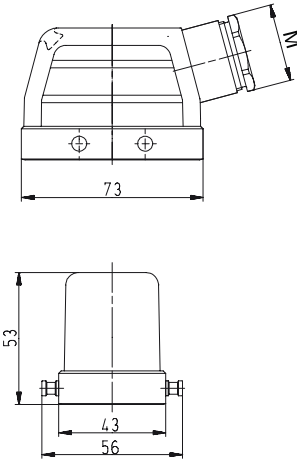
**Note:**

In 2013 the design and order numbers of the revos housings will change, but the function of the housings will remain intact. In addition, a new flexible marking system will be available to you. In the transition phase you can continue to order with the existing part number. You can find more detailed information and a cross-reference list in our e-Shop and on our homepage.

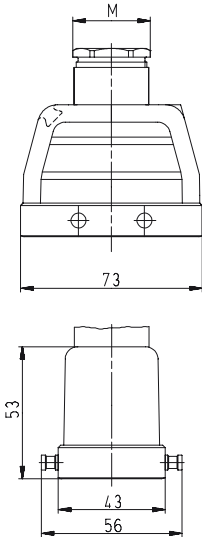
# Dimensions

## Hoods

### Lateral cable entry



### Top cable entry





# 690 V Hoods, double locking lever with Locking levers, Size 10

## 690 V Hoods Size 10



### Lateral cable entry



### Top cable entry



### Multipole connectors for cable-to-cable couplings



Description	Type	M	Part No.	P.U.
<b>690 V Hoods, size 10</b>				
<b>Aluminum housing</b>				
<b>Lateral cable entry M20</b>				
with cable gland, IP54, $\rightarrow \varnothing 1 \leftarrow$ 3 – 14.5 mm	BAS GOT GD 10 M20 69 A0	20	72.355.1035.0	1
with threaded collar	BAS GOT GD 10 M20 69 A1	20	72.355.1035.1	1
with intermediate support	BAS GOT GD 10 M20 69 A2	20	72.355.1035.2	1
with strain relief, IP54	BAS GOT GD 10 M20 69 A3	20	72.355.1035.3	1
<b>Lateral cable entry M25</b>				
with cable gland, IP54, $\rightarrow \varnothing 1 \leftarrow$ 7.5 – 19 mm	BAS GOT GD 10 M25 69 A0	25	72.358.1035.0	1
with threaded collar	BAS GOT GD 10 M25 69 A1	25	72.358.1035.1	1
with intermediate support	BAS GOT GD 10 M25 69 A2	25	72.358.1035.2	1
with strain relief, IP54	BAS GOT GD 10 M25 69 A3	25	72.358.1035.3	1
<b>Top cable entry M20</b>				
with cable gland, IP54, $\rightarrow \varnothing 1 \leftarrow$ 3 – 14.5 mm	BAS GOT GF 10 M20 69 A0	20	72.357.1035.0	1
with threaded collar	BAS GOT GF 10 M20 69 A1	20	72.357.1035.1	1
with intermediate support	BAS GOT GF 10 M20 69 A2	20	72.357.1035.2	1
with strain relief, IP54	BAS GOT GF 10 M20 69 A3	20	72.357.1035.3	1
<b>Top cable entry M25</b>				
with cable gland, IP54, $\rightarrow \varnothing 1 \leftarrow$ 7.5 – 19 mm	BAS GOT GF 10 M25 69 A0	25	72.359.1035.0	1
with threaded collar	BAS GOT GF 10 M25 69 A1	25	72.359.1035.1	1
with intermediate support	BAS GOT GF 10 M25 69 A2	25	72.359.1035.2	1
with strain relief, IP54	BAS GOT GF 10 M25 69 A3	25	72.359.1035.3	1
<b>Multipole connectors for cable-to-cable couplings M20</b>				
with cable gland, IP54, $\rightarrow \varnothing 1 \leftarrow$ 3 – 14.5 mm	BAS GOT GC 10 M20 69 A0	20	72.352.1035.0	1
with cable gland, IP54, $\rightarrow \varnothing 1 \leftarrow$ 3 – 14.5 mm	BAS GOT GK 10 M20 69 A0	20	72.372.1035.0	1
Locking levers and gasket				
with threaded collar	BAS GOT GC 10 M20 69 A1	20	72.352.1035.1	1
with threaded collar	BAS GOT GK 10 M20 69 A1	20	72.372.1035.1	1
Locking levers and gasket				
with strain relief, IP54	BAS GOT GC 10 M20 69 A3	20	72.352.1035.3	1
with strain relief, IP54	BAS GOT GK 10 M20 69 A3	20	72.372.1035.3	1
Locking levers and gasket				
<b>Technical data</b>				
Material	Die cast aluminum alloy			
Surface	silicon-free			
Locking levers	Handle: Polyamide, UL94-V0; stainless steel: V2A			
Gasket for Multipole connectors	NBR			
<b>Degree of protection</b>				
with latched locking levers	IP54			
with appropriate cable glands	IP65			
Temperature range	-40 – +120 °C			
Description	Type	M	Part No.	P.U.
<b>Accessories</b>				
Cable gland IP68, plastic material, gray	Connection range 6 – 12 mm	20	Z5.507.1353.0	10
Cable gland IP68, nickel-plated brass	Connection range 8 – 13 mm	20	Z5.507.1321.0	10
Cable gland IP68, plastic material, gray	Connection range 7 – 16 mm	25	Z5.507.1553.0	10
Cable gland IP68, nickel-plated brass	Connection range 11 – 18 mm	25	Z5.507.1521.0	10
<b>Contact inserts</b>				
See the product matrix			Page 24-25	

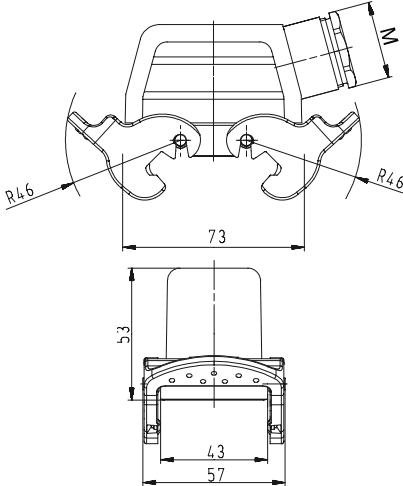
**Note:**

In 2013 the design and order numbers of the revos housings will change, but the function of the housings will remain intact. In addition, a new flexible marking system will be available to you. In the transition phase you can continue to order with the existing part number. You can find more detailed information and a cross-reference list in our e-Shop and on our homepage.

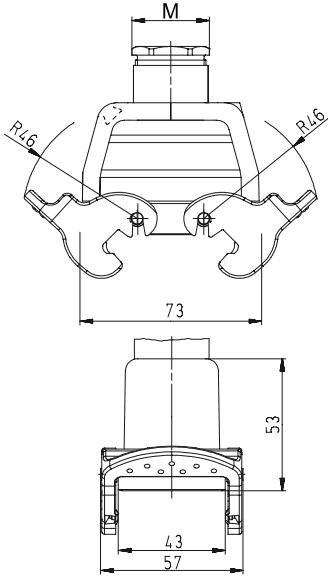
# Dimensions

## Hoods with Locking levers

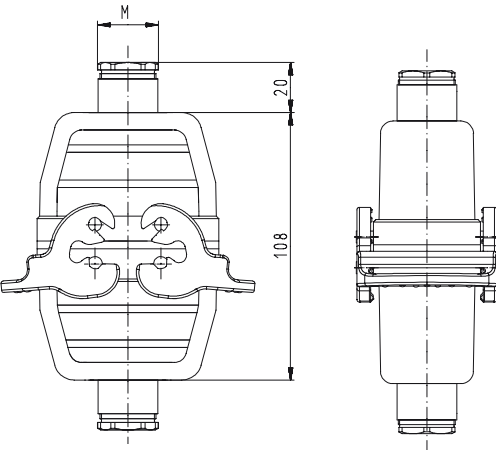
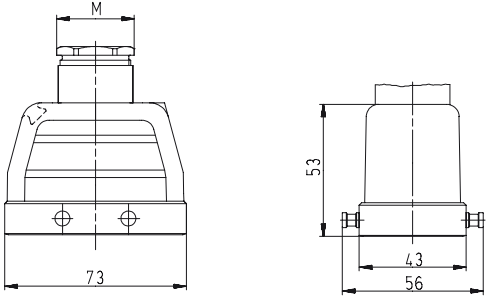
### Lateral cable entry



### Top cable entry



## Multipole connectors for cable-to-cable couplings



# 690 V Bases, double locking lever Size 10

## 690 V Bases, Size 10



### open

without cover  
with cover



### closed

#### 1 cable gland

without cover  
with cover



### closed

#### 1 cable gland, bottom

without cover  
with cover



Description	Type	M	Part No.	P.U.
<b>690 V Bases, size 10</b>				
<b>Open-bottom base</b>				
without cover	BAS GUT GA 10 69 A		72.320.1028.0	1
with cover	BAS GUT GE 10 69 A		72.325.1028.0	1
<b>Closed-bottom base</b>				
<b>2 cable glands, 2 x M20</b>				
<b>without cover</b>				
with cable gland, IP54, $\rightarrow \varnothing \leftarrow$ 3 – 14.5 mm	BAS GUT GB 10 M20 69 A0	20	72.330.1035.0	1
with threaded collar	BAS GUT GB 10 M20 69 A1	20	72.330.1035.1	1
<b>with cover</b>				
with cable gland, IP54, $\rightarrow \varnothing \leftarrow$ 3 – 14.5 mm	BAS GUT GF 10 M20 69 A0	20	72.340.1035.0	1
with threaded collar	BAS GUT GF 10 M20 69 A1	20	72.340.1035.1	1
<b>1 cable gland, left, 1 x M20</b>				
<b>without cover</b>				
with cable gland, IP54, $\rightarrow \varnothing \leftarrow$ 3 – 14.5 mm	BAS GUT GC 10 M20 69 A0	20	72.331.1035.0	1
with threaded collar	BAS GUT GC 10 M20 69 A1	20	72.331.1035.1	1
<b>with cover</b>				
with cable gland, IP54, $\rightarrow \varnothing \leftarrow$ 3 – 14.5 mm	BAS GUT GG 10 M20 69 A0	20	72.341.1035.0	1
with threaded collar	BAS GUT GG 10 M20 69 A1	20	72.341.1035.1	1
<b>1 cable gland, left, 1 x M25</b>				
<b>without cover</b>				
with threaded collar	BAS GUT GC 10 M25 69 A1	25	72.335.1035.1	1
<b>1 cable gland, right, 1 x M20</b>				
<b>with cover</b>				
with cable gland, IP54, $\rightarrow \varnothing \leftarrow$ 3 – 14.5 mm	BAS GUT GH 10 M20 69 A0	20	72.342.1035.0	1
with threaded collar	BAS GUT GH 10 M20 69 A1	20	72.342.1035.1	1
<b>1 cable gland, bottom, 1 x M20</b>				
<b>without cover</b>				
with cable gland, IP54, $\rightarrow \varnothing \leftarrow$ 3 – 14.5 mm	BAS GUT GD 10 M20 69 A0	20	72.333.1035.0	1
with threaded collar	BAS GUT GD 10 M20 69 A1	20	72.333.1035.1	1
<b>with cover</b>				
with cable gland, IP54, $\rightarrow \varnothing \leftarrow$ 3 – 14.5 mm	BAS GUT GI 10 M20 69 A0	20	72.343.1035.0	1
with threaded collar	BAS GUT GI 10 M20 69 A1	20	72.343.1035.1	1
<b>Technical data</b>				
Material	Die cast aluminum alloy			
Surface	silicon-free			
Locking levers	Handle: Polyamide, UL94-V0; stainless steel: V2A			
Gasket	NBR			
<b>Degree of protection</b>				
with latched locking levers	IP54			
with appropriate cable glands	IP65			
Temperature range	-40 – +120 °C			
Description	Type	M	Part No.	P.U.
<b>Accessories</b>				
Cable gland IP68, plastic material, gray	Connection range 6 – 12 mm	20	Z5.507.1353.0	10
Cable gland IP68, nickel-plated brass	Connection range 8 – 13 mm	20	Z5.507.1321.0	10
Cable gland IP68, plastic material, gray	Connection range 7 – 16 mm	25	Z5.507.1553.0	10
Cable gland IP68, nickel-plated brass	Connection range 11 – 18 mm	25	Z5.507.1521.0	10
<b>Contact inserts</b>				
See the product matrix			Page 24–25	

All Bases on this page are also available in M25 design.  
The fifth digit of the part number always increases by 4 for M25 compared to the corresponding M20 designs.

Example:  
72.331.1035.0 for M20 becomes 72.335.1035.0 for M25

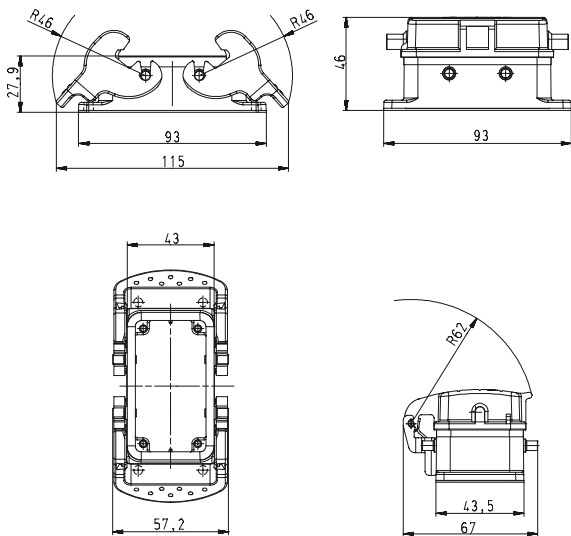
**Note:**

In 2013 the design and order numbers of the revos housings will change, but the function of the housings will remain intact. In addition, a new flexible marking system will be available to you. In the transition phase you can continue to order with the existing part number. You can find more detailed information and a cross-reference list in our e-Shop and on our homepage.

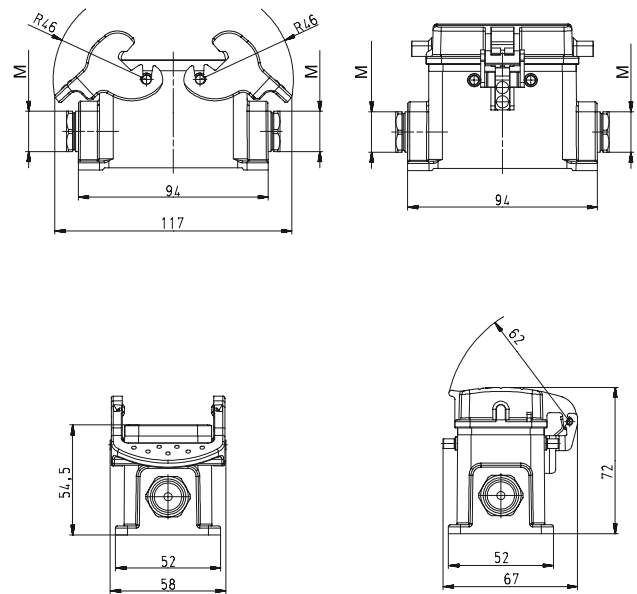
# Dimensions

## Bases

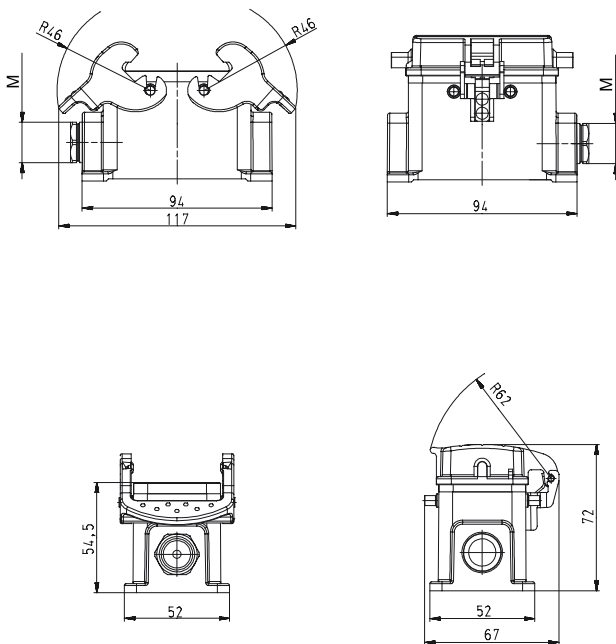
### open



### closed, 2 cable glands



### closed, 1 cable gland



### closed, 1 cable gland, bottom

