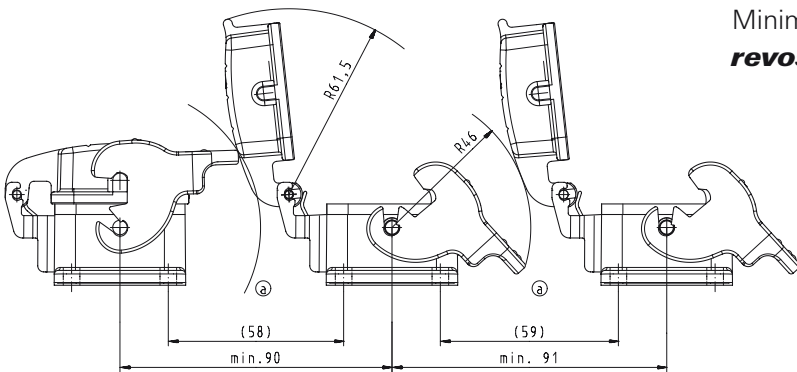


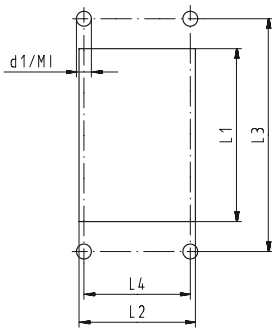
revos BASIC single locking lever

Installation spacing and mounting dimensions

Minimum installation spacing for **revos** BASIC open-bottom bases

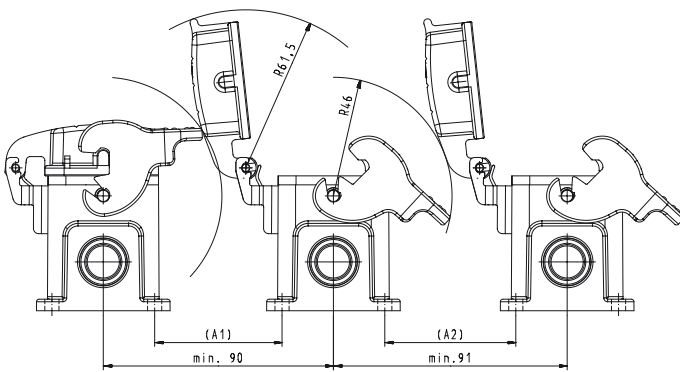


Mounting diagram for **revos** BASIC open-bottom bases of size 6 to 48



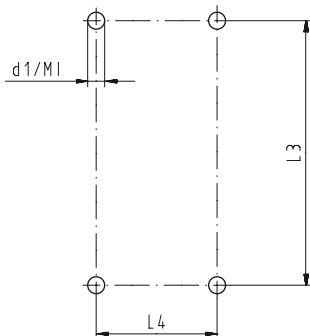
Size		6	10	16	24	48
Cut-out	L1	52	65	85.5	112	117
	L2	35	35	35	35	81
	L3	70	83	103	130	148
Installation spacing	L4	32	32	32	32	70
	d1	4.3	4.3	4.3	4.3	6.4
	M	M4	M4	M4	M4	M6

Minimum installation spacing for **revos** BASIC closed-bottom bases of size 6 to 24



Size		6	10	16	24
Installation spacing	A1	50	50	45	45
	A2	51	51	46	46

Mounting diagram for **revos** BASIC closed-bottom bases of size 6 to 48

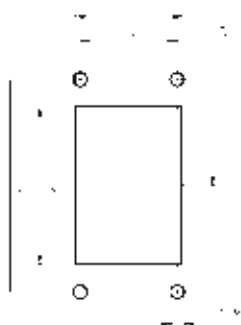
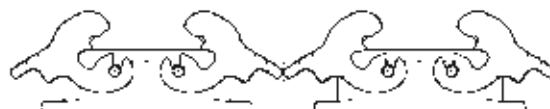
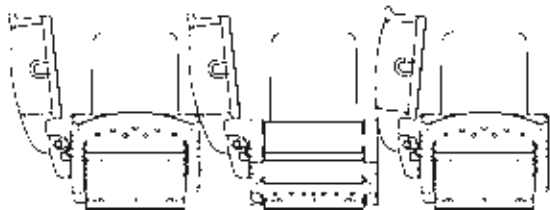


Size		6	6H	10	10H	16	24	48
Installation spacing	L3	70	70	82	82	105	132	111
	L4	40	45	40	45	45	45	106
	d1	5.3	5.5	5.3	5.5	5.3	5.3	6.5
	M	M5	M5	M5	M5	M5	M5	M6

revos BASIC double locking lever

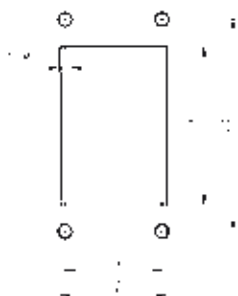
Installation spacing and mounting dimensions

Minimum installation spacing for **revos** BASIC open-bottom bases of size 10 to 24



Mounting diagram for **revos** BASIC open-bottom bases of size 10 to 32

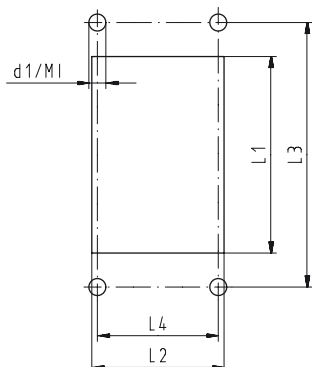
Size		10	16	24	32
Cut-out	L1	65	85.5	112	86
	L2	35	35	35	71
Installation spacing	L3	83	103	130	110
	L4	32	32	32	65
Minimum Montageabstand	X1	121	139	166	
	d1	4.3	4.3	4.3	5.5
	M1	M4	M4	M4	M5



Mounting diagram for **revos** BASIC open-bottom bases of size 10 to 24

Size		10	10H	16	24
Befestigungsabstände	L3	82	82	105	132
	L4	40	45	45	45
	d1	5.5	5.5	5.5	5.5
	M1	M5	M5	M5	M5

EMC housings, cut-out and mounting dimensions



Mounting diagram for **revos** EMC open-bottom bases of size 6 to 24

Size		6	10	16	24
Cut-out	L1	52	65	85.5	112
	L2	35	35	35	35
	L3	70	83	103	130
Installation spacing	L4	32	32	32	32
	d1	4.3	4.3	4.3	4.3
	M1	M4	M4	M4	M4