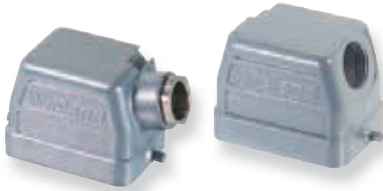


500 V Hoods, single locking lever Size 6

500 V Hoods Size 6



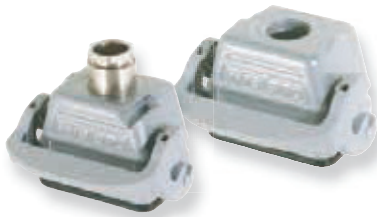
Lateral cable entry



Top cable entry



Multipole connectors for cable-to-cable couplings



Description	Type	M	Part No.	P.U.
500 V Hoods, size 6				
Lateral cable entry M20		Aluminum housing		
with cable gland, IP54, $\rightarrow \text{Ø} \leftarrow$ 3 – 14.5 mm	BAS GOT GG 6 M20 50 A0	20	70.350.0635.0	1
with threaded collar	BAS GOT GG 6 M20 50 A1	20	70.350.0635.1	1
with intermediate support	BAS GOT GG 6 M20 50 A2	20	70.350.0635.2	1
with strain relief, IP54	BAS GOT GG 6 M20 50 A3	20	70.350.0635.3	1
Lateral cable entry M25				
with cable gland, IP54, $\rightarrow \text{Ø} \leftarrow$ 7.5 – 19 mm	BAS GOT GG 6 M25 50 A0	25	70.353.0635.0	1
with threaded collar	BAS GOT GG 6 M25 50 A1	25	70.353.0635.1	1
with intermediate support	BAS GOT GG 6 M25 50 A2	25	70.353.0635.2	1
with strain relief, IP54	BAS GOT GG 6 M25 50 A3	25	70.353.0635.3	1
Top cable entry M20				
with cable gland, IP54, $\rightarrow \text{Ø} \leftarrow$ 3 – 14.5 mm	BAS GOT GI 6 M20 50 A0	20	70.352.0635.0	1
with threaded collar	BAS GOT GI 6 M20 50 A1	20	70.352.0635.1	1
with intermediate support	BAS GOT GI 6 M20 50 A2	20	70.352.0635.2	1
with strain relief, IP54	BAS GOT GI 6 M20 50 A3	20	70.352.0635.3	1
Top cable entry M25				
with cable gland, IP54, $\rightarrow \text{Ø} \leftarrow$ 7.5 – 19 mm	BAS GOT GI 6 M25 50 A0	25	70.354.0635.0	1
with threaded collar	BAS GOT GI 6 M25 50 A1	25	70.354.0635.1	1
with intermediate support	BAS GOT GI 6 M25 50 A2	25	70.354.0635.2	1
with strain relief, IP54	BAS GOT GI 6 M25 50 A3	25	70.354.0635.3	1
Multipole connectors for cable-to-cable couplings M20				
with cable gland, IP54, $\rightarrow \text{Ø} \leftarrow$ 3 – 14.5 mm	BAS GOT GI 6 M20 50 A0	20	70.352.0635.0	1
with cable gland, IP54, $\rightarrow \text{Ø} \leftarrow$ 3 – 14.5 mm Locking levers and gasket	BAS GOT GL 6 M20 50 A0	20	70.372.0635.0	1
with threaded collar	BAS GOT GI 6 M20 50 A1	20	70.352.0635.1	1
with threaded collar Locking levers and gasket	BAS GOT GL 6 M20 50 A1	20	70.372.0635.1	1
with strain relief, IP54	BAS GOT GI 6 M20 50 A3	20	70.352.0635.3	1
with strain relief, IP54 Locking levers and gasket	BAS GOT GL 6 M20 50 A3	20	70.372.0635.3	1
Technical data				
Material	Die cast aluminum alloy			
Surface	silicon-free/-			
Locking levers at Multipole connectors	Handle: Polyamide, UL94-V0; stainless steel: V2A			
Gasket at Multipole connectors	NBR			
Degree of protection				
with latched locking levers	IP54			
with appropriate cable glands	IP65			
Temperature range	-40 – +120 °C			
Description	Type	M	Part No.	P.U.
Accessories				
Cable gland IP68, plastic material, gray	Connection range 6 – 12 mm	20	Z5.507.1353.0	10
Cable gland IP68, nickel-plated brass	Connection range 8 – 13 mm	20	Z5.507.1321.0	10
Cable gland IP68, plastic material, gray	Connection range 7 – 16 mm	25	Z5.507.1553.0	10
Cable gland IP68, nickel-plated brass	Connection range 11 – 18 mm	25	Z5.507.1521.0	10
Contact inserts				
Size 6 see the product matrix			Page 24–25	

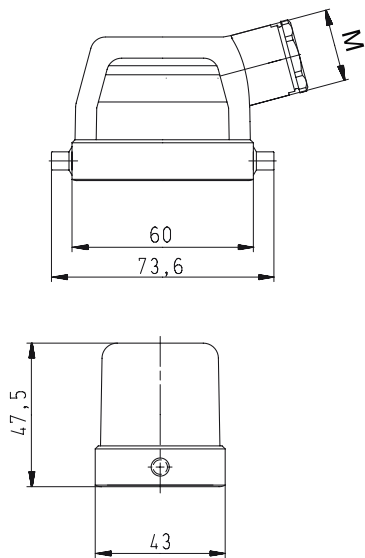
Note:

In 2013 the design of the revos housings will change. Through the use of an integrated insulation strip, voltage ranges of up to 690 V can then be covered. Additionally, a new, flexible marking system will be available to you.

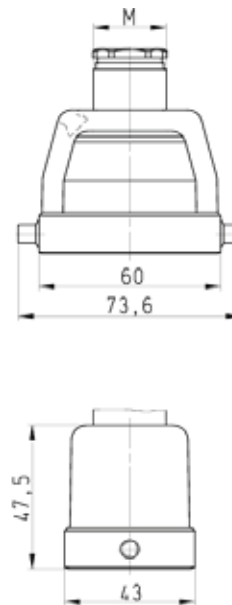
Dimensions

Hoods

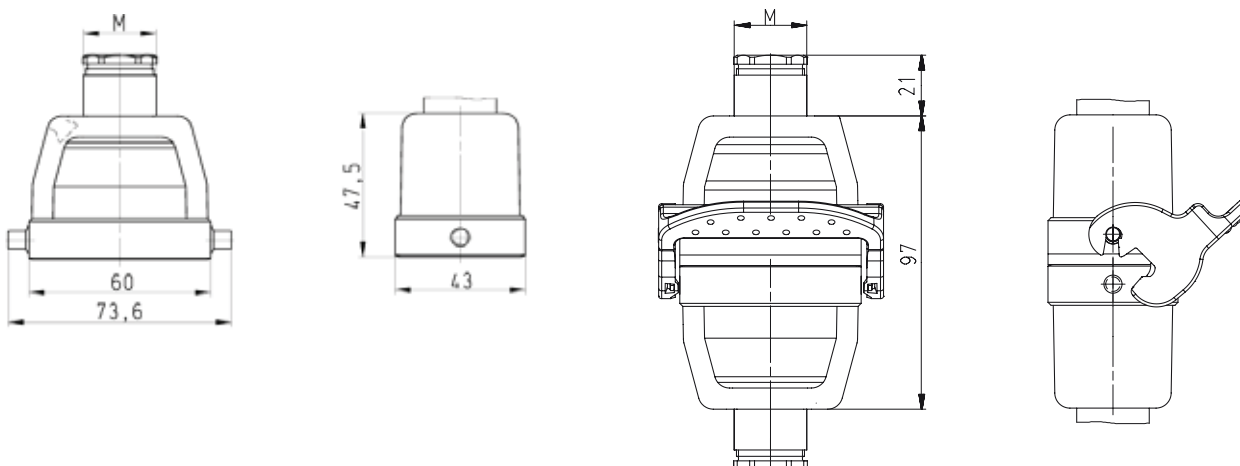
Lateral cable entry



Top cable entry



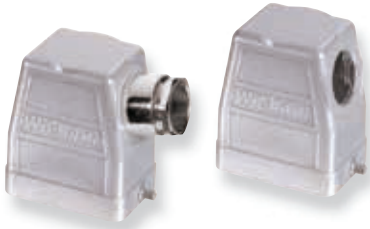
Multipole connectors for cable-to-cable couplings



500 V / 690 V Hoods, single locking lever Size 6H, increased height design

500 V / 690 V Hoods, Size 6H, increased height design

Lateral cable entry



Top cable entry



Description	Type	M	Part No.	P.U.
500 V / 690 V Hoods, size 6H	Aluminum housing			
Lateral cable entry M25				
with cable gland, IP54, $\rightarrow \varnothing $ 7.5 – 19 mm	BAS GOT GG 6H M25 50 A0	25	73.350.0635.0	1
with threaded collar	BAS GOT GG 6H M25 50 A1	25	73.350.0635.1	1
with intermediate support	BAS GOT GG 6H M25 50 A2	25	73.350.0635.2	1
with strain relief, IP54	BAS GOT GG 6H M25 50 A3	25	73.350.0635.3	1
Lateral cable entry M32				
with cable gland, IP54, $\rightarrow \varnothing $ 15 – 26.5 mm	BAS GOT GG 6H M32 50 A0	32	73.353.0635.0	1
with threaded collar	BAS GOT GG 6H M32 50 A1	32	73.353.0635.1	1
with intermediate support	BAS GOT GG 6H M32 50 A2	32	73.353.0635.2	1
with strain relief, IP54	BAS GOT GG 6H M32 50 A3	32	73.353.0635.3	1
Top cable entry M25				
with cable gland, IP54, $\rightarrow \varnothing $ 7.5 – 19 mm	BAS GOT GI 6H M25 50 A0	25	73.352.0635.0	1
with threaded collar	BAS GOT GI 6H M25 50 A1	25	73.352.0635.1	1
with intermediate support	BAS GOT GI 6H M25 50 A2	25	73.352.0635.2	1
with strain relief, IP54	BAS GOT GI 6H M25 50 A3	25	73.352.0635.3	1
Top cable entry M32				
with cable gland, IP54, $\rightarrow \varnothing $ 15 – 26.5 mm	BAS GOT GI 6H M32 50 A0	32	73.354.0635.0	1
with threaded collar	BAS GOT GI 6H M32 50 A1	32	73.354.0635.1	1
with intermediate support	BAS GOT GI 6H M32 50 A2	32	73.354.0635.2	1
with strain relief, IP54	BAS GOT GI 6H M32 50 A3	32	73.354.0635.3	1
Technical data				
Material	Die cast aluminum alloy			
Surface	silicon-free			
Locking levers	–			
Gasket	–			
Degree of protection				
with latched locking levers	IP54			
with appropriate cable glands	IP65			
Temperature range	-40 – +120 °C			
Description	Type	M	Part No.	P.U.
Accessories				
Cable gland IP68, plastic material, gray	Connection range 7 – 16 mm	25	Z5.507.1553.0	10
Cable gland IP68, nickel-plated brass	Connection range 11 – 18 mm	25	Z5.507.1521.0	10
Cable gland IP68, plastic material, gray	Connection range 10 – 21 mm	32	Z5.507.1753.0	10
Cable gland IP68, nickel-plated brass	Connection range 15 – 21 mm	32	Z5.507.1721.0	10
Contact inserts				
Size 6H see the product matrix			Page 24–25	

Note:

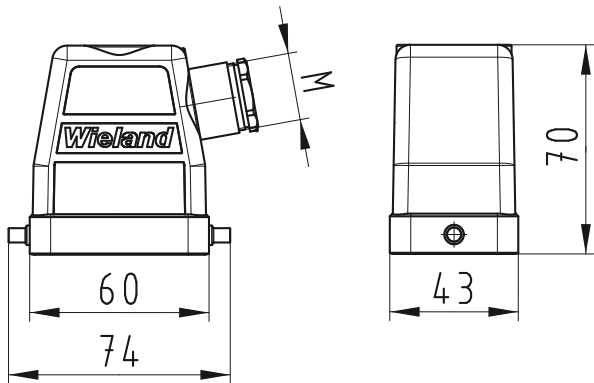
In 2013 the housing will be equipped with an insulation strip. With this modification, voltage ranges of up to 690 V can be covered.

Dimensions

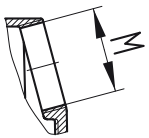
Hoods

Lateral cable entry,

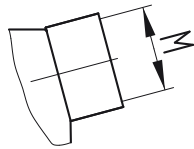
with cable gland
IP54



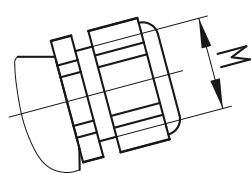
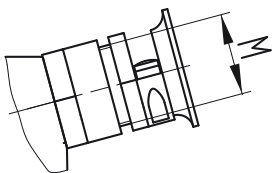
with threaded collar



with intermediate support

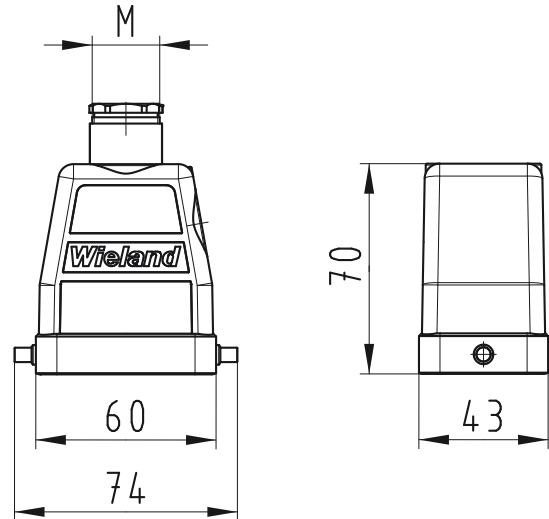


with strain relief
IP54

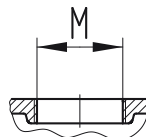


Top cable entry,

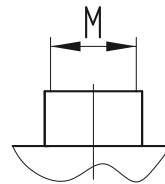
with cable gland
IP54



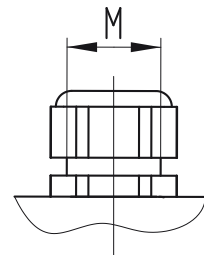
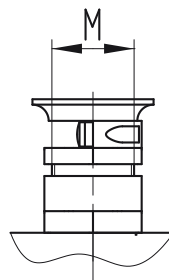
with threaded collar



with intermediate support



with strain relief
IP54



500 V Bases, single locking lever Size 6

500 V Bases, Size 6



open

without cover
with cover



closed

1 cable gland

without cover
with cover



closed

1 cable gland, bottom

without cover
with cover



Description	Type	M	Part No.	P.U.
500 V Bases, size 6				
Open-bottom base				
without cover	BAS GUT GK 6 50 A		70.320.0628.0	1
with cover	BAS GUT GP 6 50 A		70.325.0628.0	1
Closed-bottom base				
2 cable glands, 2 x M20				
without cover				
with cable gland, IP54, $\rightarrow \text{Ø} \leftarrow 3 - 14.5 \text{ mm}$	BAS GUT GL 6 M20 50 A0	20	70.330.0635.0	1
with threaded collar	BAS GUT GL 6 M20 50 A1	20	70.330.0635.1	1
with cover				
with cable gland, IP54, $\rightarrow \text{Ø} \leftarrow 3 - 14.5 \text{ mm}$	BAS GUT GR 6 M20 50 A0	20	70.340.0635.0	1
with threaded collar	BAS GUT GR 6 M20 50 A1	20	70.340.0635.1	1
2 cable glands, 2 x M25				
without cover				
with cable gland, IP54, $\rightarrow \text{Ø} \leftarrow 7.5 - 19 \text{ mm}$	BAS GUT GL 6 M25 50 A0	25	70.334.0635.0	1
with threaded collar	BAS GUT GL 6 M25 50 A1	25	70.334.0635.1	1
1 cable gland, left, 1 x M20				
without cover				
with cable gland, IP54, $\rightarrow \text{Ø} \leftarrow 3 - 14.5 \text{ mm}$	BAS GUT GM 6 M20 50 A0	20	70.331.0635.0	1
with threaded collar	BAS GUT GM 6 M20 50 A1	20	70.331.0635.1	1
with cover				
with cable gland, IP54, $\rightarrow \text{Ø} \leftarrow 3 - 14.5 \text{ mm}$	BAS GUT GS 6 M20 50 A0	20	70.341.0635.0	1
with threaded collar	BAS GUT GS 6 M20 50 A1	20	70.341.0635.1	1
1 cable gland, left, 1 x M25				
without cover				
with cable gland, IP54, $\rightarrow \text{Ø} \leftarrow 7.5 - 19 \text{ mm}$	BAS GUT GM 6 M25 50 A0	25	70.335.0635.0	1
with threaded collar	BAS GUT GM 6 M25 50 A1	25	70.335.0635.1	1
1 cable gland, right, 1 x M20				
without cover				
with cable gland, IP54, $\rightarrow \text{Ø} \leftarrow 3 - 14.5 \text{ mm}$	BAS GUT GN 6 M20 50 A0	20	70.332.0635.0	1
with threaded collar	BAS GUT GN 6 M20 50 A1	20	70.332.0635.1	1
with cover				
with cable gland, IP54, $\rightarrow \text{Ø} \leftarrow 3 - 14.5 \text{ mm}$	BAS GUT GT 6 M20 50 A0	20	70.342.0635.0	1
with threaded collar	BAS GUT GT 6 M20 50 A1	20	70.342.0635.1	1
1 cable gland, right, 1 x M25				
without cover				
with cable gland, IP54, $\rightarrow \text{Ø} \leftarrow 7.5 - 19 \text{ mm}$	BAS GUT GN 6 M25 50 A0	25	70.336.0635.0	1
with threaded collar	BAS GUT GN 6 M25 50 A1	25	70.336.0635.1	1
1 cable gland, bottom, 1 x M20				
without cover				
with cable gland, IP54, $\rightarrow \text{Ø} \leftarrow 3 - 14.5 \text{ mm}$	BAS GUT GO 6 M20 50 A0	20	70.333.0635.0	1
with threaded collar	BAS GUT GO 6 M20 50 A1	20	70.333.0635.1	1
with cover				
with cable gland, IP54, $\rightarrow \text{Ø} \leftarrow 3 - 14.5 \text{ mm}$	BAS GUT GU 6 M20 50 A0	20	70.343.0635.0	1
with threaded collar	BAS GUT GU 6 M20 50 A1	20	70.343.0635.1	1
1 cable gland, bottom, 1 x M25				
without cover				
with cable gland, IP54, $\rightarrow \text{Ø} \leftarrow 7.5 - 19 \text{ mm}$	BAS GUT GO 6 M25 50 A0	25	70.337.0635.0	1
with threaded collar	BAS GUT GO 6 M25 50 A1	25	70.337.0635.1	1
Technical data				
Material	Die cast aluminum alloy			
Surface	silicon-free			
Locking levers	Handle: Polyamide, UL94-V0; stainless steel: V2A			
Gasket	NBR			
Degree of protection				
with latched locking levers	IP54			
with appropriate cable glands	IP65			
Temperature range	-40 – +120 °C			
Description	Type	M	Part No.	P.U.
Accessories				
Cable gland IP68, plastic material, gray	Connection range 6 – 12 mm	20	Z5.507.1353.0	10
Cable gland IP68, nickel-plated brass	Connection range 8 – 13 mm	20	Z5.507.1321.0	10
Cable gland IP68, plastic material, gray	Connection range 7 – 16 mm	25	Z5.507.1553.0	10
Cable gland IP68, nickel-plated brass	Connection range 11 – 18 mm	25	Z5.507.1521.0	10
Contact inserts				
Size 6 see the product matrix			Page 24–25	

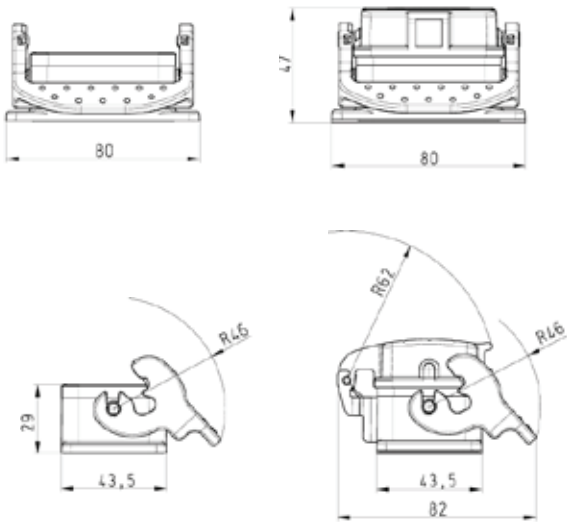
Note:

In 2013 the design of the revos housings will change. Through the use of an integrated insulation strip, voltage ranges of up to 690 V can then be covered. Additionally, a new, flexible marking system will be available to you.

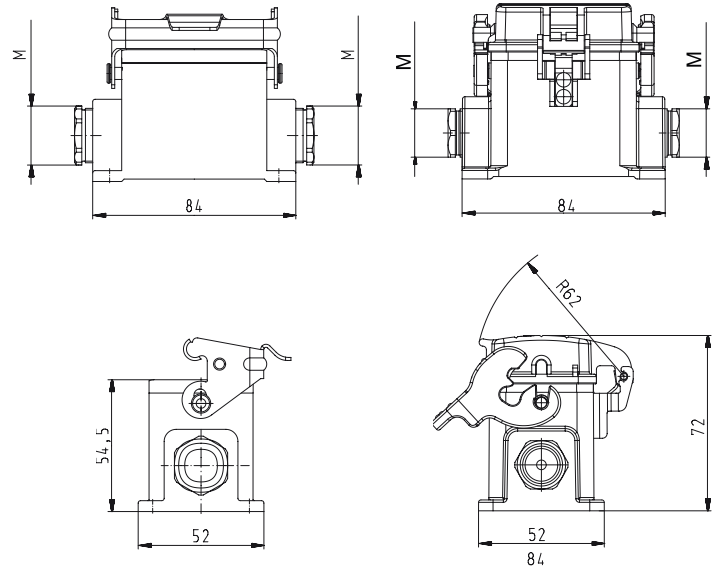
Dimensions

Bases

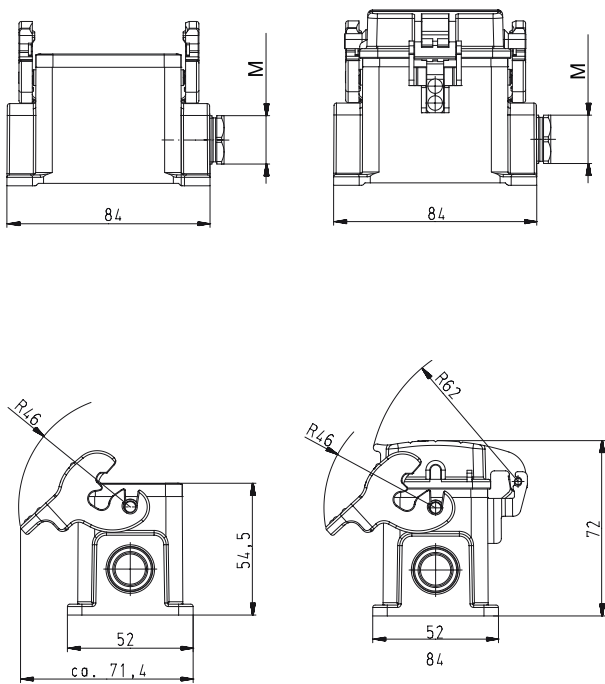
open



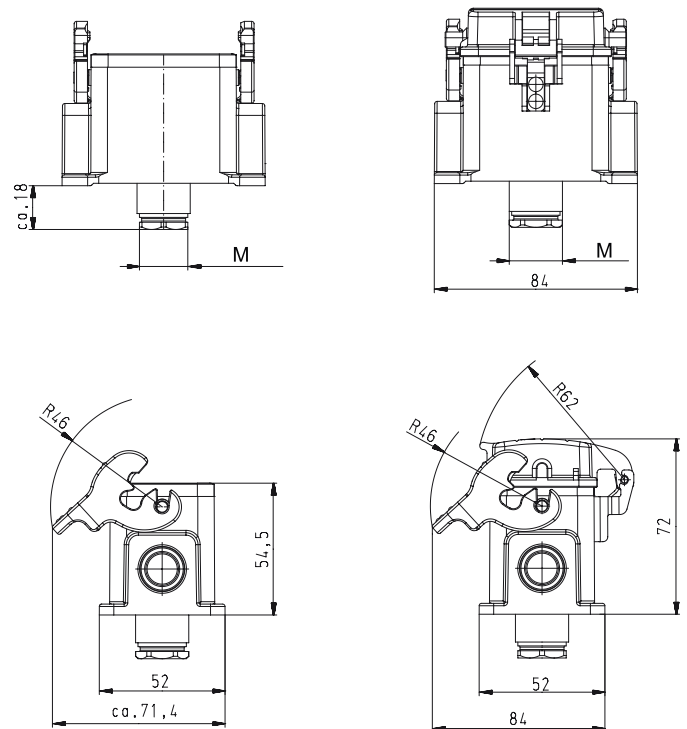
closed, 2 cable glands



closed, 1 cable gland



closed, 1 cable gland, bottom



500 V/690 V Bases, single locking lever Size 6H, increased height design

500 V Bases Size 6H, increased height design

closed M25 2 cable glands



closed M32 2 cable glands

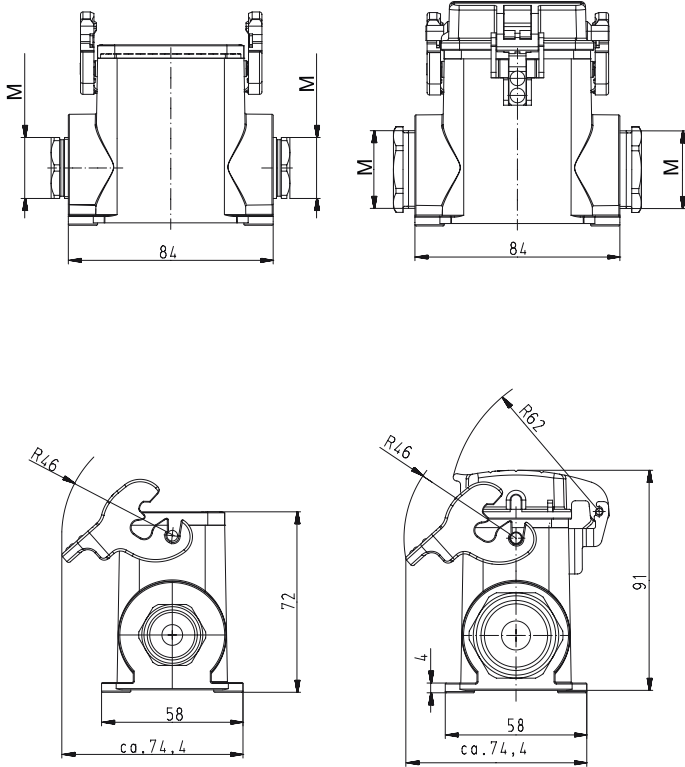


Description	Type	M	Part No.	P.U.
500 V Bases, size 6H	Aluminum housing			
Closed-bottom base				
2 cable glands, 2 x M25				
without cover				
with cable gland, IP54, $\rightarrow \varnothing \leftarrow$ 7.5 – 19 mm	BAS GUT GL 6H M25 69 A0	25	73.330.0635.0	1
with threaded collar	BAS GUT GL 6H M25 69 A1	25	73.330.0635.1	1
with cover				
with cable gland, IP54, $\rightarrow \varnothing \leftarrow$ 7.5 – 19 mm	BAS GUT GR 6H M25 69 A0	25	73.340.0635.0	1
with threaded collar	BAS GUT GR 6H M25 69 A1	25	73.340.0635.1	1
2 cable glands, 2 x M32				
without cover				
with cable gland, IP54, $\rightarrow \varnothing \leftarrow$ 15 – 26.5 mm	BAS GUT GL 6H M32 69 A0	32	73.334.0635.0	1
with threaded collar	BAS GUT GL 6H M32 69 A1	32	73.334.0635.1	1
with cover				
with cable gland, IP54, $\rightarrow \varnothing \leftarrow$ 15 – 26.5 mm	BAS GUT GR 6H M32 69 A0	32	73.344.0635.0	1
with threaded collar	BAS GUT GR 6H M32 69 A1	32	73.344.0635.1	1
1 cable gland, left, 1 x M25				
without cover				
with cable gland, IP54, $\rightarrow \varnothing \leftarrow$ 7.5 – 19 mm	BAS GUT GM 6H M25 69 A0	25	73.331.0635.0	1
with threaded collar	BAS GUT GM 6H M25 69 A1	25	73.331.0635.1	1
with cover				
with cable gland, IP54, $\rightarrow \varnothing \leftarrow$ 7.5 – 19 mm	BAS GUT GS 6H M25 69 A0	25	73.341.0635.0	1
with threaded collar	BAS GUT GS 6H M25 69 A1	25	73.341.0635.1	1
1 cable gland, left, 1 x M32				
without cover				
with cable gland, IP54, $\rightarrow \varnothing \leftarrow$ 15 – 26.5 mm	BAS GUT GM 6H M32 69 A0	32	73.335.0635.0	1
with threaded collar	BAS GUT GM 6H M32 69 A1	32	73.335.0635.1	1
with cover				
with cable gland, IP54, $\rightarrow \varnothing \leftarrow$ 15 – 26.5 mm	BAS GUT GS 6H M32 69 A0	32	73.345.0635.0	1
with threaded collar	BAS GUT GS 6H M32 69 A1	32	73.345.0635.1	1
1 cable gland, right, 1 x M25				
with cover				
with cable gland, IP54, $\rightarrow \varnothing \leftarrow$ 7.5 – 19 mm	BAS GUT GT 6H M25 69 A0	25	73.342.0635.0	1
with threaded collar	BAS GUT GT 6H M25 69 A1	25	73.342.0635.1	1
1 cable gland, right, 1 x M32				
with cover				
with cable gland, IP54, $\rightarrow \varnothing \leftarrow$ 15 – 26.5 mm	BAS GUT GT 6H M32 69 A0	32	73.346.0635.0	1
with threaded collar	BAS GUT GT 6H M32 69 A1	32	73.346.0635.1	1
Technical data				
Material	Die cast aluminum alloy			
Surface	silicon-free			
Locking levers	Handle: Polyamide, UL94-V0; stainless steel: V2A			
Gasket	NBR			
Degree of protection				
with latched locking levers	IP54			
with appropriate cable glands	IP65			
Temperature range	-40 – +120 °C			
Description	Type	M	Part No.	P.U.
Accessories				
Cable gland IP68, plastic material, gray	Connection range 7 – 16 mm	25	Z5.507.1553.0	10
Cable gland IP68, nickel-plated brass	Connection range 11 – 18 mm	25	Z5.507.1521.0	10
Cable gland IP68, plastic material, gray	Connection range 10 – 21 mm	32	Z5.507.1753.0	10
Cable gland IP68, nickel-plated brass	Connection range 15 – 21 mm	32	Z5.507.1721.0	10
Contact inserts				
Size 6H see the product matrix	Page 24–25			

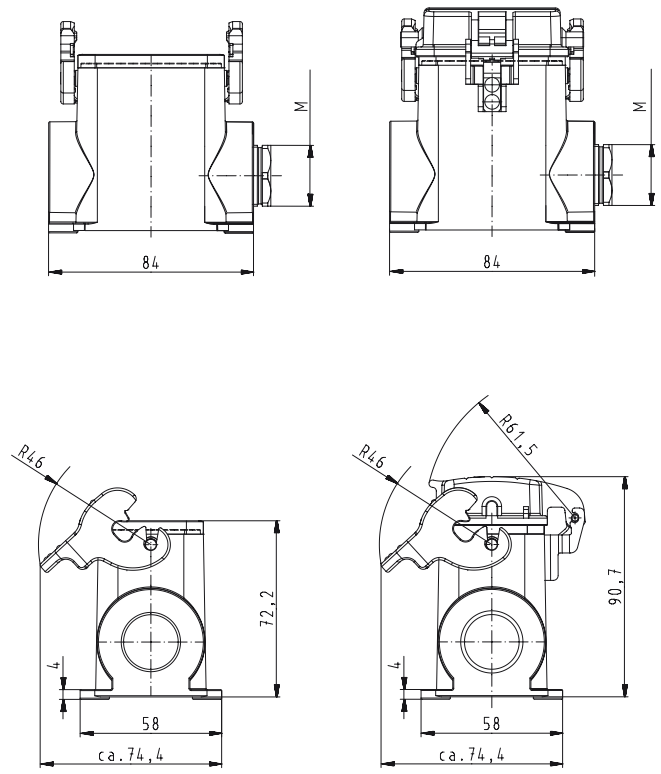
Dimensions

Bases

closed, 2 cable glands



closed, 1 cable gland



500 V Hoods, single locking lever Size 10

500 V Hoods Size 10



Lateral cable entry



Top cable entry



Multipole connectors for cable-to-cable couplings



Description	Type	M	Part No.	P.U.
500 V Hoods, size 10				
Lateral cable entry M20		Aluminum housing		
with cable gland, IP54, $\rightarrow \text{Ø}$ 3 – 14.5 mm	BAS GOT GG 10 M20 50 A0	20	71.350.1035.0	1
with threaded collar	BAS GOT GG 10 M20 50 A1	20	71.350.1035.1	1
with intermediate support	BAS GOT GG 10 M20 50 A2	20	71.350.1035.2	1
with strain relief, IP54	BAS GOT GG 10 M20 50 A3	20	71.350.1035.3	1
Lateral cable entry M25				
with cable gland, IP54, $\rightarrow \text{Ø}$ 7.5 – 19 mm	BAS GOT GG 10 M25 50 A0	25	71.353.1035.0	1
with threaded collar	BAS GOT GG 10 M25 50 A1	25	71.353.1035.1	1
with intermediate support	BAS GOT GG 10 M25 50 A2	25	71.353.1035.2	1
with strain relief, IP54	BAS GOT GG 10 M25 50 A3	25	71.353.1035.3	1
Top cable entry M20				
with cable gland, IP54, $\rightarrow \text{Ø}$ 3 – 14.5 mm	BAS GOT GI 10 M20 50 A0	20	71.352.1035.0	1
with threaded collar	BAS GOT GI 10 M20 50 A1	20	71.352.1035.1	1
with intermediate support	BAS GOT GI 10 M20 50 A2	20	71.352.1035.2	1
with strain relief, IP54	BAS GOT GI 10 M20 50 A3	20	71.352.1035.3	1
Top cable entry M25				
with cable gland, IP54, $\rightarrow \text{Ø}$ 7.5 – 19 mm	BAS GOT GI 10 M25 50 A0	25	71.354.1035.0	1
with threaded collar	BAS GOT GI 10 M25 50 A1	25	71.354.1035.1	1
with intermediate support	BAS GOT GI 10 M25 50 A2	25	71.354.1035.2	1
with strain relief, IP54	BAS GOT GI 10 M25 50 A3	25	71.354.1035.3	1
Multipole connectors for cable-to-cable couplings M20				
with cable gland, IP54, $\rightarrow \text{Ø}$ 3 – 14.5 mm	BAS GOT GI 10 M20 50 A0	20	71.352.1035.0	1
with cable gland, IP54, $\rightarrow \text{Ø}$ 3 – 14.5 mm	BAS GOT GL 10 M20 50 A0	20	71.372.1035.0	1
Locking levers and gasket				
with threaded collar	BAS GOT GI 10 M20 50 A1	20	71.352.1035.1	1
with threaded collar	BAS GOT GL 10 M20 50 A1	20	71.372.1035.1	1
Locking levers and gasket				
with strain relief, IP54	BAS GOT GI 10 M20 50 A3	20	71.352.1035.3	1
with strain relief, IP54	BAS GOT GL 10 M20 50 A3	20	71.372.1035.3	1
Locking levers and gasket				
Technical data				
Material	Die cast aluminum alloy			
Surface	silicon-free			
Locking levers at Multipole connectors	Handle: Polyamide, UL94-V0; stainless steel: V2A			
Gasket at Multipole connectors	NBR			
Degree of protection				
with latched locking levers	IP54			
with appropriate cable glands	IP65			
Temperature range	-40 – +120 °C			
Description	Type	M	Part No.	P.U.
Accessories				
Cable gland IP68, plastic material, gray	Connection range 6 – 12 mm	20	Z5.507.1353.0	10
Cable gland IP68, nickel-plated brass	Connection range 8 – 13 mm	20	Z5.507.1321.0	10
Cable gland IP68, plastic material, gray	Connection range 7 – 16 mm	25	Z5.507.1553.0	10
Cable gland IP68, nickel-plated brass	Connection range 11 – 18 mm	25	Z5.507.1521.0	10
Contact inserts				
See the product matrix			Page 24–25	

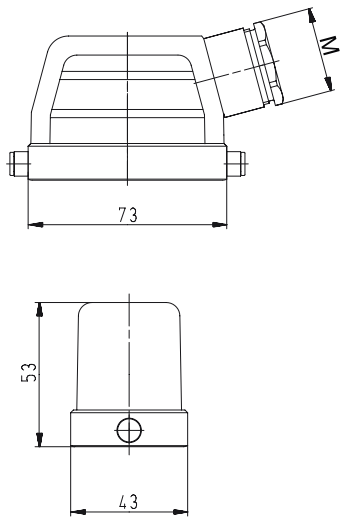
Note:

In 2013 the design of the revos housings will change. Through the use of an integrated insulation strip, voltage ranges of up to 690 V can then be covered. Additionally, a new, flexible marking system will be available to you.

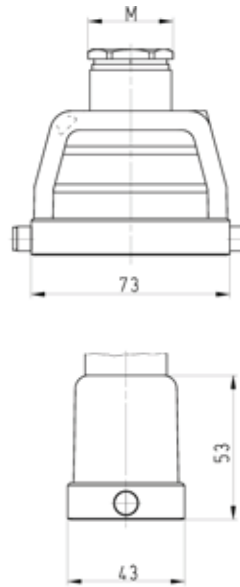
Dimensions

Hoods

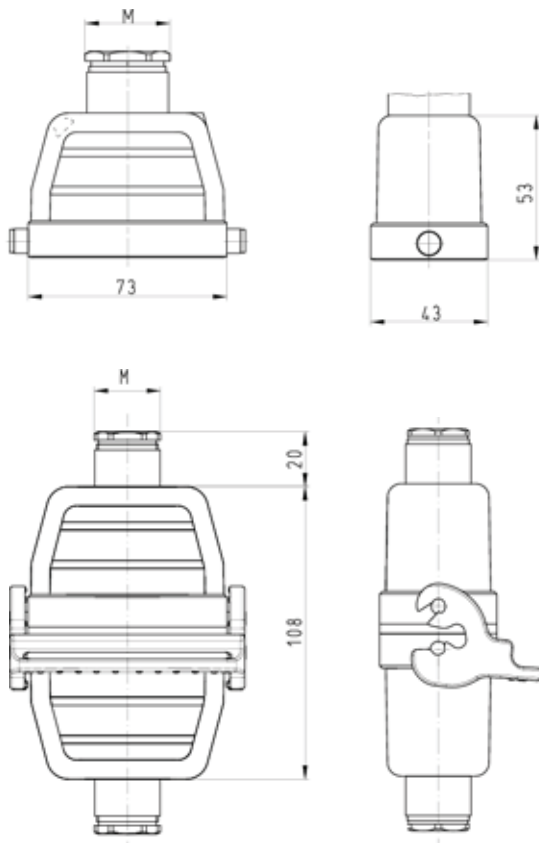
Lateral cable entry



Top cable entry



Multipole connectors for cable-to-cable couplings



500 V Hoods, single locking lever Size 10H, increased height design

500 V Hoods Size 10H, increased height design

Lateral cable entry



Top cable entry



Description	Type	M	Part No.	P.U.
500 V Hoods, size 10H				
Lateral cable entry M25				
with cable gland, IP54, $\rightarrow \varnothing \leftarrow$ 7.5 – 19 mm	BAS GOT GG 10H M25 50 A0	25	76.350.1035.0	1
with threaded collar	BAS GOT GG 10H M25 50 A1	25	76.350.1035.1	1
Lateral cable entry M32				
with cable gland, IP54, $\rightarrow \varnothing \leftarrow$ 15 – 26.5 mm	BAS GOT GG 10H M32 50 A0	32	76.353.1035.0	1
with threaded collar	BAS GOT GG 10H M32 50 A1	32	76.353.1035.1	1
with intermediate support	BAS GOT GG 10H M32 50 A2	32	76.353.1035.2	1
Top cable entry M25				
with cable gland, IP54, $\rightarrow \varnothing \leftarrow$ 7.5 – 19 mm	BAS GOT GI 10H M25 50 A0	25	76.352.1035.0	1
with threaded collar	BAS GOT GI 10H M25 50 A1	25	76.352.1035.1	1
Top cable entry M32				
with cable gland, IP54, $\rightarrow \varnothing \leftarrow$ 15 – 26.5 mm	BAS GOT GI 10H M32 50 A0	32	76.354.1035.0	1
with threaded collar	BAS GOT GI 10H M32 50 A1	32	76.354.1035.1	1
with intermediate support	BAS GOT GI 10H M32 50 A2	32	76.354.1035.2	1
Technical data				
Material	Die cast aluminum alloy			
Surface	silicon-free			
Locking levers	–			
Gasket	–			
Degree of protection				
with latched locking levers	IP54			
with appropriate cable glands	IP65			
Temperature range	-40 – +120 °C			
Description	Type	M	Part No.	P.U.
Accessories				
Cable gland IP68, plastic material, gray	Connection range 7 – 16 mm	25	Z5.507.1553.0	10
Cable gland IP68, nickel-plated brass	Connection range 11 – 18 mm	25	Z5.507.1521.0	10
Cable gland IP68, plastic material, gray	Connection range 10 – 21 mm	32	Z5.507.1753.0	10
Cable gland IP68, nickel-plated brass	Connection range 15 – 21 mm	32	Z5.507.1721.0	10
Contact inserts				
See the product matrix			Page 24–25	

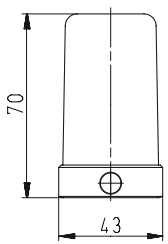
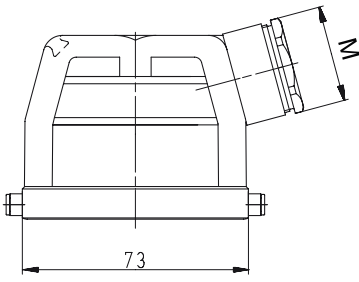
Note:

In 2013 the housing will be equipped with an insulation strip. With this modification, voltage ranges of up to 690 V can be covered.

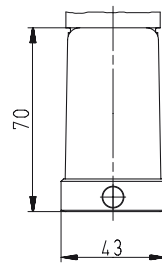
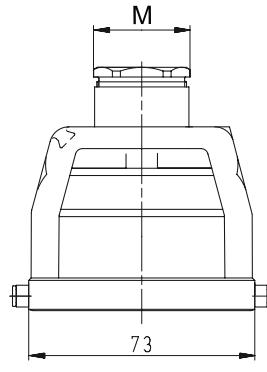
Dimensions

Hoods

Lateral cable entry



Top cable entry



500 V Bases, single locking lever Size 10

500 V Bases, Size 10



open

without cover
with cover



closed

1 cable gland
without cover
with cover



closed

1 cable gland, bottom
without cover
with cover



Description	Type	M	Part No.	P.U.
500 V Bases, size 10				
Open-bottom base				
without cover	BAS GUT GK 10 50 A		71.320.1028.0	1
with cover	BAS GUT GP 10 50 A		71.325.1028.0	1
Closed-bottom base				
2 cable glands, 2 x M20				
without cover				
with cable gland, IP54, $\rightarrow \varnothing $ 3 – 14.5 mm	BAS GUT GL 10 M20 50 A0	20	71.330.1035.0	1
with threaded collar	BAS GUT GL 10 M20 50 A1	20	71.330.1035.1	1
with cover				
with cable gland, IP54, $\rightarrow \varnothing $ 3 – 14.5 mm	BAS GUT GR 10 M20 50 A0	20	71.340.1035.0	1
with threaded collar	BAS GUT GR 10 M20 50 A1	20	71.340.1035.1	1
1 cable gland, left, 1 x M20				
without cover				
with cable gland, IP54, $\rightarrow \varnothing $ 3 – 14.5 mm	BAS GUT GM 10 M20 50 A0	20	71.331.1035.0	1
with threaded collar	BAS GUT GM 10 M20 50 A1	20	71.331.1035.1	1
with cover				
with cable gland, IP54, $\rightarrow \varnothing $ 3 – 14.5 mm	BAS GUT GS 10 M20 50 A0	20	71.341.1035.0	1
with threaded collar	BAS GUT GS 10 M20 50 A1	20	71.341.1035.1	1
1 cable gland, left, 1 x M25				
without cover				
with cable gland, IP54, $\rightarrow \varnothing $ 7.5 – 19 mm	BAS GUT GM 10 M25 50 A0	25	71.335.1035.0	1
with threaded collar	BAS GUT GM 10 M25 50 A1	25	71.335.1035.1	1
1 cable gland, right, 1 x M20				
with cover				
with cable gland, IP54, $\rightarrow \varnothing $ 3 – 14.5 mm	BAS GUT GT 10 M20 50 A0	20	71.342.1035.0	1
with threaded collar	BAS GUT GT 10 M20 50 A1	20	71.342.1035.1	1
1 cable gland, bottom, 1 x M20				
without cover				
with cable gland, IP54, $\rightarrow \varnothing $ 3 – 14.5 mm	BAS GUT GO 10 M20 50 A0	20	71.333.1035.0	1
with threaded collar	BAS GUT GO 10 M20 50 A1	20	71.333.1035.1	1
with cover				
with cable gland, IP54, $\rightarrow \varnothing $ 3 – 14.5 mm	BAS GUT GU 10 M20 50 A0	20	71.343.1035.0	1
with threaded collar	BAS GUT GU 10 M20 50 A1	20	71.343.1035.1	1
Technical data				
Material	Die cast aluminum alloy			
Surface	silicon-free			
Locking levers	Handle: Polyamide, UL94-V0; stainless steel: V2A			
Gasket	NBR			
Degree of protection				
with latched locking levers	IP54			
with appropriate cable glands	IP65			
Temperature range	-40 – +120 °C			

Description	Type	M	Part No.	P.U.
Accessories				
Cable gland IP68, plastic material, gray	Connection range 6 – 12 mm	20	Z5.507.1353.0	10
Cable gland IP68, nickel-plated brass	Connection range 8 – 13 mm	20	Z5.507.1321.0	10
Cable gland IP68, plastic material, gray	Connection range 7 – 16 mm	25	Z5.507.1553.0	10
Cable gland IP68, nickel-plated brass	Connection range 11 – 18 mm	25	Z5.507.1521.0	10
Contact inserts				
See the product matrix	Page 24–25			

All Bases on this page are also available in M25 design.
The fifth digit of the part number always increases by 4 for M25 compared to the corresponding M20 designs.

Example:
71.341.1035.0 for M20 becomes 71.345.1035.0 for M25

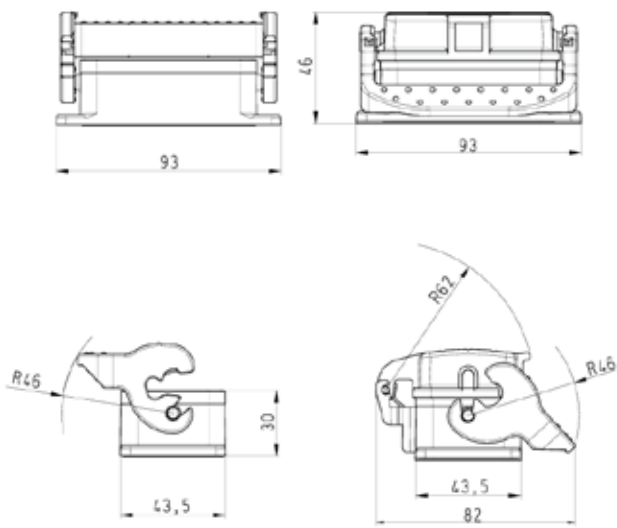
Note:

In 2013 the design of the revos housings will change. Through the use of an integrated insulation strip, voltage ranges of up to 690 V can then be covered. Additionally, a new, flexible marking system will be available to you.

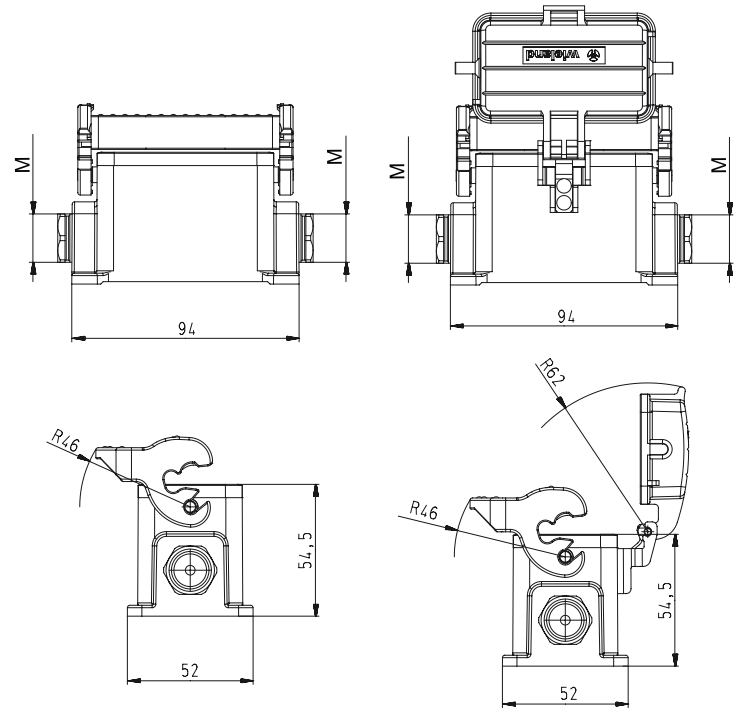
Dimensions

Bases

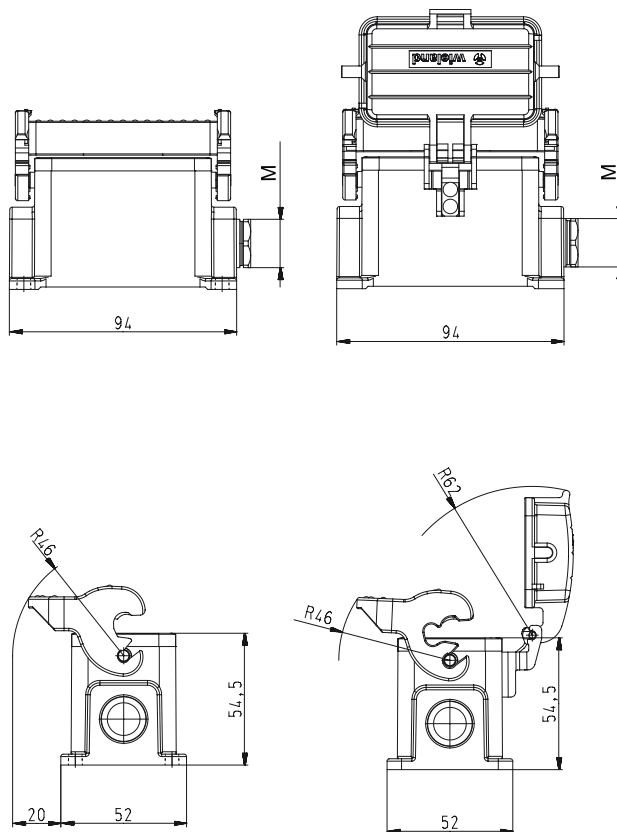
open



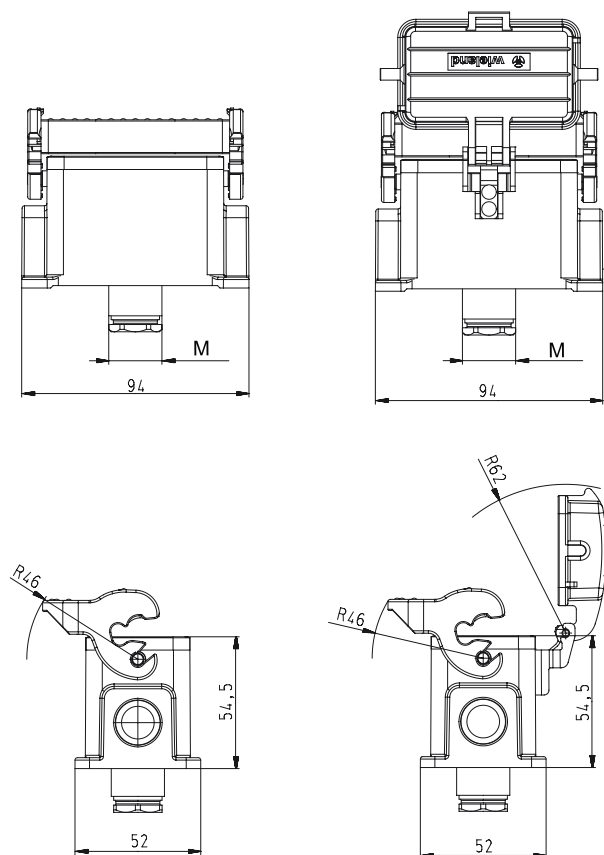
closed, 2 cable glands



closed, 1 cable gland



closed, 1 cable gland, bottom



500 V Bases, single locking lever Size 10H, increased height design

500 V Bases Size 10H, increased height design



closed M25 without cover with cover



closed M32 with threaded collar



Description	Type	M	Part No.	P.U.
500 V Bases, size 10H				
Closed-bottom base				
2 cable glands, 2 x M25				
without cover				
with cable gland, IP54, $\rightarrow \varnothing \leftarrow$ 7.5 – 19 mm	BAS GUT GL 10H M25 50 A0	25	76.330.1035.0	1
with threaded collar	BAS GUT GL 10H M25 50 A1	25	76.330.1035.1	1
with cover				
with cable gland, IP54, $\rightarrow \varnothing \leftarrow$ 7.5 – 19 mm	BAS GUT GR 10H M25 50 A0	25	76.340.1035.0	1
with threaded collar	BAS GUT GR 10H M25 50 A1	25	76.340.1035.1	1
2 cable glands, 2 x M32				
without cover				
with cable gland, IP54, $\rightarrow \varnothing \leftarrow$ 15 – 26.5 mm	BAS GUT GL 10H M32 50 A0	32	76.334.1035.0	1
with threaded collar	BAS GUT GL 10H M32 50 A1	32	76.334.1035.1	1
with cover				
with cable gland, IP54, $\rightarrow \varnothing \leftarrow$ 15 – 26.5 mm	BAS GUT GR 10H M32 50 A0	32	76.344.1035.0	1
with threaded collar	BAS GUT GR 10H M32 50 A1	32	76.344.1035.1	1
1 cable gland, left, 1 x M25				
without cover				
with cable gland, IP54, $\rightarrow \varnothing \leftarrow$ 7.5 – 19 mm	BAS GUT GM 10H M25 50 A0	25	76.331.1035.0	1
with threaded collar	BAS GUT GM 10H M25 50 A1	25	76.331.1035.1	1
with cover				
with cable gland, IP54, $\rightarrow \varnothing \leftarrow$ 7.5 – 19 mm	BAS GUT GS 10H M25 50 A0	25	76.341.1035.0	1
with threaded collar	BAS GUT GS 10H M25 50 A1	25	76.341.1035.1	1
1 cable gland, left, 1 x M32				
without cover				
with cable gland, IP54, $\rightarrow \varnothing \leftarrow$ 15 – 26.5 mm	BAS GUT GM 10H M32 50 A0	32	76.335.1035.0	1
with threaded collar	BAS GUT GM 10H M32 50 A1	32	76.335.1035.1	1
with cover				
with cable gland, IP54, $\rightarrow \varnothing \leftarrow$ 15 – 26.5 mm	BAS GUT GR 10H M32 50 A0	32	76.345.1035.0	1
with threaded collar	BAS GUT GR 10H M32 50 A1	32	76.345.1035.1	1
1 cable gland, right, 1 x M25				
with cover				
with cable gland, IP54, $\rightarrow \varnothing \leftarrow$ 7.5 – 19 mm	BAS GUT GT 10H M25 50 A0	25	76.342.1035.0	1
with threaded collar	BAS GUT GT 10H M25 50 A1	25	76.342.1035.1	1
1 cable gland, right, 1 x M32				
with cover				
with cable gland, IP54, $\rightarrow \varnothing \leftarrow$ 15 – 26.5 mm	BAS GUT GT 10H M32 50 A0	32	76.346.1035.0	1
with threaded collar	BAS GUT GT 10H M32 50 A1	32	76.346.1035.1	1
Technical data				
Material	Die cast aluminum alloy			
Surface	silicon-free			
Locking levers	Handle: Polyamide, UL94-V0; stainless steel: V2A			
Gasket	NBR			
Degree of protection				
with latched locking levers	IP54			
with appropriate cable glands	IP65			
Temperature range	-40 – +120 °C			
Description	Type	M	Part No.	P.U.
Accessories				
Cable gland IP68, plastic material, gray	Connection range 7 – 16 mm	25	Z5.507.1553.0	10
Cable gland IP68, nickel-plated brass	Connection range 11 – 18 mm	25	Z5.507.1521.0	10
Cable gland IP68, plastic material, gray	Connection range 10 – 21 mm	32	Z5.507.1753.0	10
Cable gland IP68, nickel-plated brass	Connection range 15 – 21 mm	32	Z5.507.1721.0	10
Contact inserts				
See the product matrix			Page 24–25	

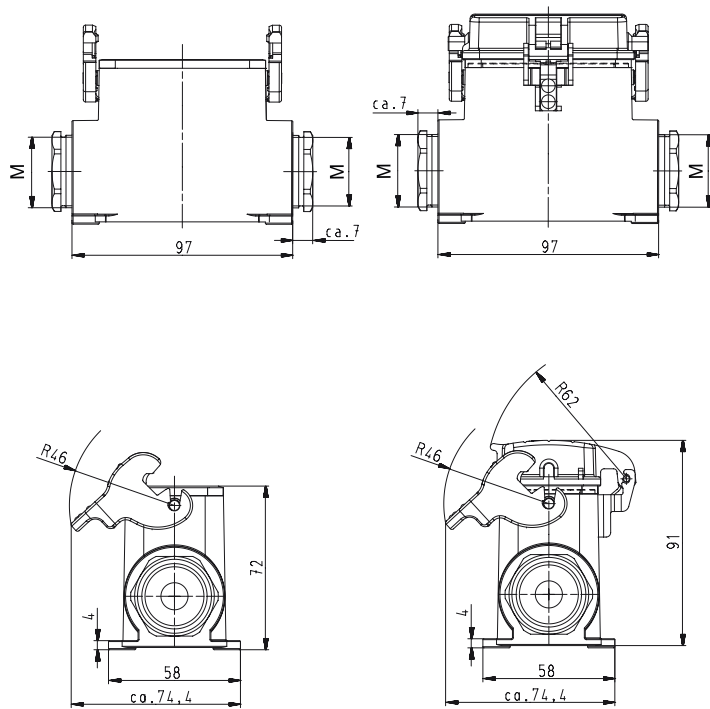
Note:

In 2013 the housing will be equipped with an insulation strip. With this modification, voltage ranges of up to 690 V can be covered.

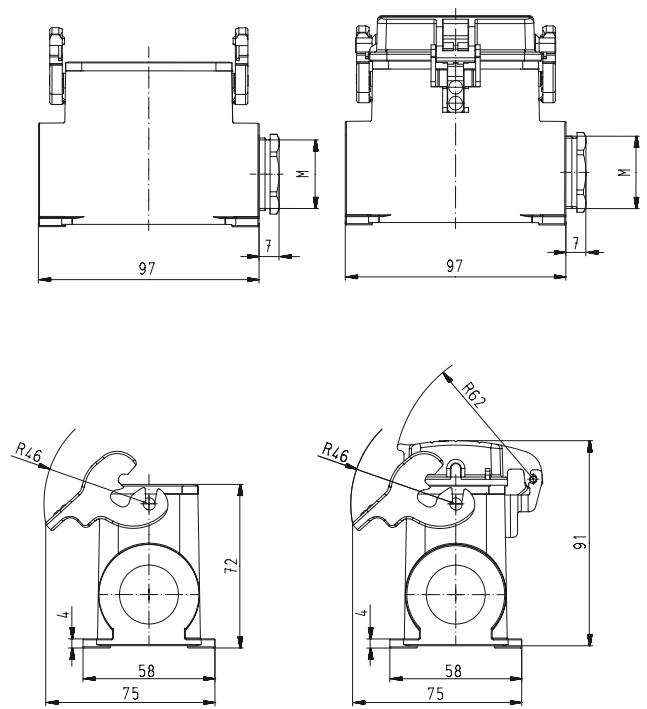
Dimensions

Bases

closed, 2 cable glands



closed, 1 cable gland



500 V Hoods, double locking lever Size 10

500 V Hoods Size 10



Lateral cable entry



Top cable entry



Description	Type	M	Part No.	P.U.
500 V Hoods, size 10				
Lateral cable entry M20				
with cable gland, IP54, $\rightarrow \varnothing $ 3 – 14.5 mm	BAS GOT GA 10 M20 50 A0	20	70.350.1035.0	1
with threaded collar	BAS GOT GA 10 M20 50 A1	20	70.350.1035.1	1
with intermediate support	BAS GOT GA 10 M20 50 A2	20	70.350.1035.2	1
with strain relief, IP54	BAS GOT GA 10 M20 50 A3	20	70.350.1035.3	1
Lateral cable entry M25				
with cable gland, IP54, $\rightarrow \varnothing $ 7.5 – 19 mm	BAS GOT GA 10 M25 50 A0	25	70.353.1035.0	1
with threaded collar	BAS GOT GA 10 M25 50 A1	25	70.353.1035.1	1
with intermediate support	BAS GOT GA 10 M25 50 A2	25	70.353.1035.2	1
with strain relief, IP54	BAS GOT GA 10 M25 50 A3	25	70.353.1035.3	1
Top cable entry M20				
with cable gland, IP54, $\rightarrow \varnothing $ 3 – 14.5 mm	BAS GOT GC 10 M20 50 A0	20	70.352.1035.0	1
with threaded collar	BAS GOT GC 10 M20 50 A1	20	70.352.1035.1	1
with intermediate support	BAS GOT GC 10 M20 50 A2	20	70.352.1035.2	1
with strain relief, IP54	BAS GOT GC 10 M20 50 A3	20	70.352.1035.3	1
Top cable entry M25				
with cable gland, IP54, $\rightarrow \varnothing $ 7.5 – 19 mm	BAS GOT GC 10 M25 50 A0	25	70.354.1035.0	1
with threaded collar	BAS GOT GC 10 M25 50 A1	25	70.354.1035.1	1
with intermediate support	BAS GOT GC 10 M25 50 A2	25	70.354.1035.2	1
with strain relief, IP54	BAS GOT GC 10 M25 50 A3	25	70.354.1035.3	1
Technical data				
Material metal	Die cast aluminum alloy			
Surface	silicon-free			
Locking levers at Multipole connectors	-			
Gasket at Multipole connectors	-			
Degree of protection				
with latched locking levers	IP54			
with appropriate cable glands	IP65			
Temperature range	-40 – +120 °C			
Description	Type	M	Part No.	P.U.
Accessories				
Cable gland IP68, plastic material, gray	Connection range 6 – 12 mm	20	Z5.507.1353.0	10
Cable gland IP68, nickel-plated brass	Connection range 8 – 13 mm	20	Z5.507.1321.0	10
Cable gland IP68, plastic material, gray	Connection range 7 – 16 mm	25	Z5.507.1553.0	10
Cable gland IP68, nickel-plated brass	Connection range 11 – 18 mm	25	Z5.507.1521.0	10
Contact inserts				
See the product matrix			Page 24–25	

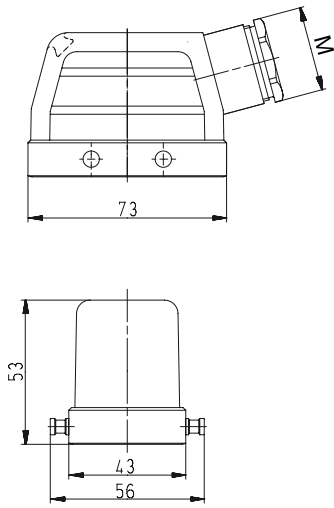
Note:

In 2013 the design of the revos housings will change. Through the use of an integrated insulation strip, voltage ranges of up to 690 V can then be covered. Additionally, a new, flexible marking system will be available to you.

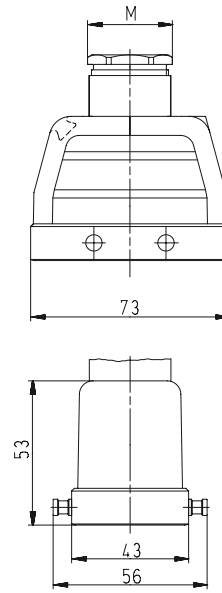
Dimensions

Hoods

Lateral cable entry



Top cable entry



500 V Hoods, double locking lever with Locking levers, Size 10

500 V Hoods Size 10



Lateral cable entry



Top cable entry



Multipole connectors for cable-to-cable couplings



Description	Type	M	Part No.	P.U.
500 V Hoods, size 10				
Lateral cable entry M20				
with cable gland, IP54, $\rightarrow \varnothing $ 3 – 14.5 mm	BAS GOT GD 10 M20 50 A0	20	70.355.1035.0	1
with threaded collar	BAS GOT GD 10 M20 50 A1	20	70.355.1035.1	1
with intermediate support	BAS GOT GD 10 M20 50 A2	20	70.355.1035.2	1
with strain relief, IP54	BAS GOT GD 10 M20 50 A3	20	70.355.1035.3	1
Lateral cable entry M25				
with cable gland, IP54, $\rightarrow \varnothing $ 7.5 – 19 mm	BAS GOT GD 10 M25 50 A0	25	70.358.1035.0	1
with threaded collar	BAS GOT GD 10 M25 50 A1	25	70.358.1035.1	1
with intermediate support	BAS GOT GD 10 M25 50 A2	25	70.358.1035.2	1
with strain relief, IP54	BAS GOT GD 10 M25 50 A3	25	70.358.1035.3	1
Top cable entry M20				
with cable gland, IP54, $\rightarrow \varnothing $ 3 – 14.5 mm	BAS GOT GF 10 M20 50 A0	20	70.357.1035.0	1
with threaded collar	BAS GOT GF 10 M20 50 A1	20	70.357.1035.1	1
with intermediate support	BAS GOT GF 10 M20 50 A2	20	70.357.1035.2	1
with strain relief, IP54	BAS GOT GF 10 M20 50 A3	20	70.357.1035.3	1
Top cable entry M25				
with cable gland, IP54, $\rightarrow \varnothing $ 7.5 – 19 mm	BAS GOT GF 10 M25 50 A0	25	70.359.1035.0	1
with threaded collar	BAS GOT GF 10 M25 50 A1	25	70.359.1035.1	1
with intermediate support	BAS GOT GF 10 M25 50 A2	25	70.359.1035.2	1
with strain relief, IP54	BAS GOT GF 10 M25 50 A3	25	70.359.1035.3	1
Multipole connectors for cable-to-cable couplings M20				
with cable gland, IP54, $\rightarrow \varnothing $ 3 – 14.5 mm	BAS GOT GC 10 M20 50 A0	20	70.352.1035.0	1
with cable gland, IP54, $\rightarrow \varnothing $ 3 – 14.5 mm Locking levers and gasket	BAS GOT GK 10 M20 50 A0	20	70.372.1035.0	1
with threaded collar	BAS GOT GC 10 M20 50 A1	20	70.352.1035.1	1
with threaded collar Locking levers and gasket	BAS GOT GK 10 M20 50 A1	20	70.372.1035.1	1
with strain relief, IP54	BAS GOT GC 10 M20 50 A3	20	70.352.1035.3	1
with strain relief, IP54 Locking levers and gasket	BAS GOT GK 10 M20 50 A3	20	70.372.1035.3	1
Technical data				
Material	Die cast aluminum alloy			
Surface	silicon-free			
Locking levers	Handle: Polyamide, UL94-V0; stainless steel: V2A			
Gasket for Multipole connectors	NBR			
Degree of protection				
with latched locking levers	IP54			
with appropriate cable glands	IP65			
Temperature range	-40 – +120 °C			
Description	Type	M	Part No.	P.U.
Accessories				
Cable gland IP68, plastic material, gray	Connection range 6 – 12 mm	20	Z5.507.1353.0	10
Cable gland IP68, nickel-plated brass	Connection range 8 – 13 mm	20	Z5.507.1321.0	10
Cable gland IP68, plastic material, gray	Connection range 7 – 16 mm	25	Z5.507.1553.0	10
Cable gland IP68, nickel-plated brass	Connection range 11 – 18 mm	25	Z5.507.1521.0	10
Contact inserts				
See the product matrix			Page 24-25	

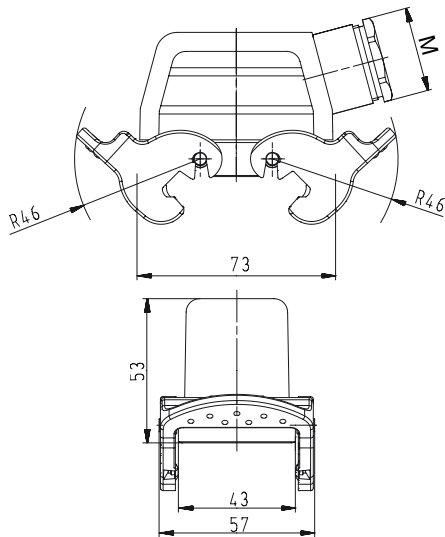
Note:

In 2013 the design of the revos housings will change. Through the use of an integrated insulation strip, voltage ranges of up to 690 V can then be covered. Additionally, a new, flexible marking system will be available to you.

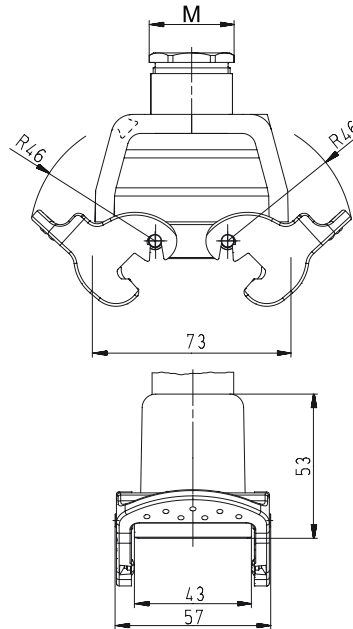
Dimensions

Hoods with Locking levers

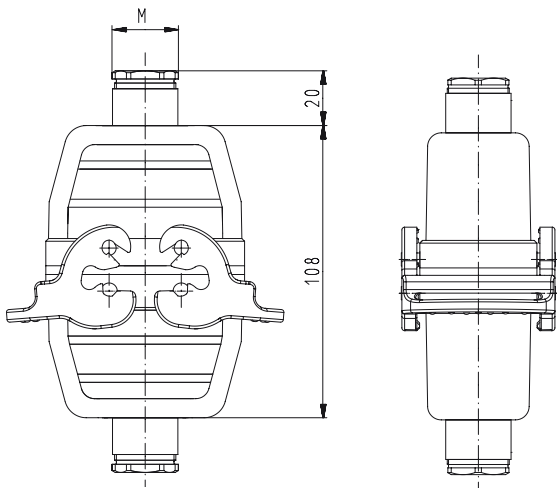
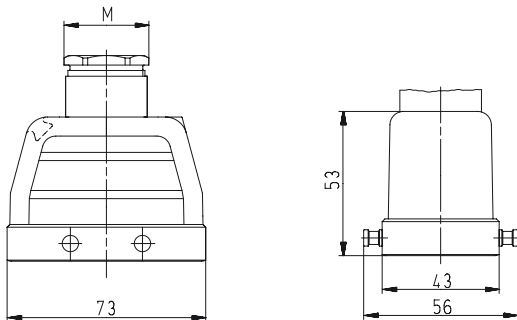
Lateral cable entry



Top cable entry



Multipole connectors for cable-to-cable couplings



500 V Hoods, double locking lever Size 10H, increased height design

500 V Hoods Size 10H, increased height design

Lateral cable entry



Top cable entry



Description	Type	M	Part No.	P.U.
500 V Hoods, size 10H				
Lateral cable entry M25				
with cable gland, IP54, $\rightarrow \leftarrow$ 7.5 – 19 mm	BAS GOT GA 10H M25 50 A0	25	73.350.1035.0	1
with threaded collar	BAS GOT GA 10H M25 50 A1	25	73.350.1035.1	1
with intermediate support	BAS GOT GA 10H M25 50 A2	25	73.350.1035.2	1
with strain relief, IP54	BAS GOT GA 10H M25 50 A3	25	73.350.1035.3	1
Lateral cable entry M32				
with cable gland, IP54, $\rightarrow \leftarrow$ 15 – 26.5 mm	BAS GOT GA 10H M32 50 A0	32	73.353.1035.0	1
with threaded collar	BAS GOT GA 10H M32 50 A1	32	73.353.1035.1	1
with intermediate support	BAS GOT GA 10H M32 50 A2	32	73.353.1035.2	1
with strain relief, IP54	BAS GOT GA 10H M32 50 A3	32	73.353.1035.3	1
Top cable entry M25				
with cable gland, IP54, $\rightarrow \leftarrow$ 7.5 – 19 mm	BAS GOT GC 10H M25 50 A0	25	73.352.1035.0	1
with threaded collar	BAS GOT GC 10H M25 50 A1	25	73.352.1035.1	1
with intermediate support	BAS GOT GC 10H M25 50 A2	25	73.352.1035.2	1
with strain relief, IP54	BAS GOT GC 10H M25 50 A3	25	73.352.1035.3	1
Top cable entry M32				
with cable gland, IP54, $\rightarrow \leftarrow$ 15 – 26.5 mm	BAS GOT GC 10H M32 50 A0	32	73.354.1035.0	1
with threaded collar	BAS GOT GC 10H M32 50 A1	32	73.354.1035.1	1
with intermediate support	BAS GOT GC 10H M32 50 A2	32	73.354.1035.2	1
with strain relief, IP54	BAS GOT GC 10H M32 50 A3	32	73.354.1035.3	1
Technical data				
Material	Die cast aluminum alloy			
Surface	silicon-free			
Locking levers	–			
Gasket	–			
Degree of protection				
with latched locking levers	IP54			
with appropriate cable glands	IP65			
Temperature range	-40 – +120 °C			
Description	Type	M	Part No.	P.U.
Accessories				
Cable gland IP68, plastic material, gray	Connection range 7 – 16 mm	25	Z5.507.1553.0	10
Cable gland IP68, nickel-plated brass	Connection range 11 – 18 mm	25	Z5.507.1521.0	10
Cable gland IP68, plastic material, gray	Connection range 10 – 21 mm	32	Z5.507.1753.0	10
Cable gland IP68, nickel-plated brass	Connection range 15 – 21 mm	32	Z5.507.1721.0	10
Contact inserts				
See the product matrix			Page 24–25	

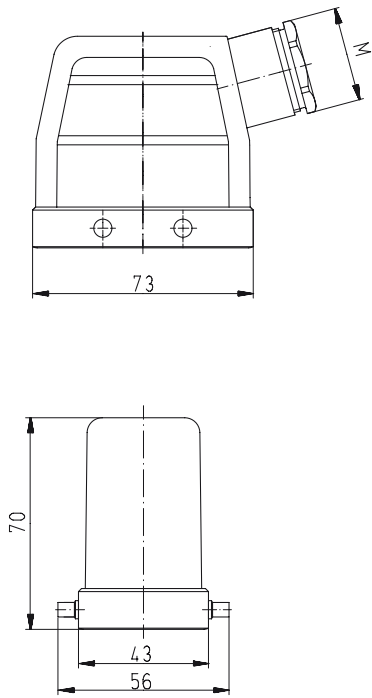
Note:

In 2013 the housing will be equipped with an insulation strip. With this modification, voltage ranges of up to 690 V can be covered.

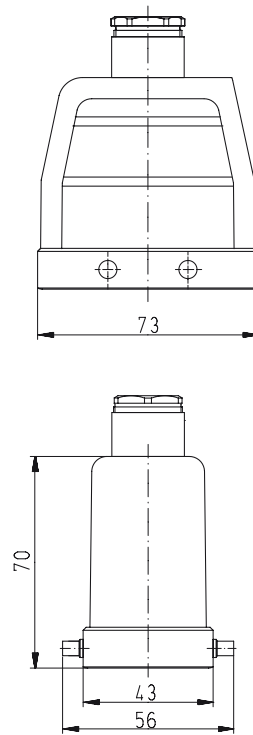
Dimensions

Hoods

Lateral cable entry



Top cable entry



500 V Bases, double locking lever Size 10

500 V Bases, Size 10



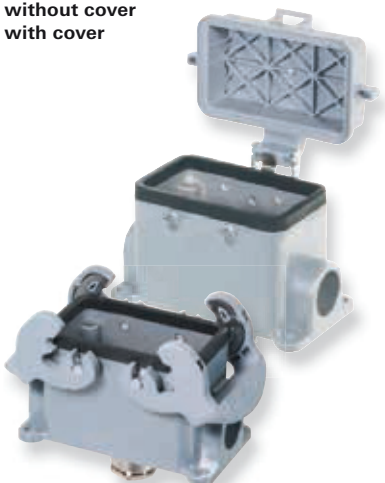
open
without cover
with cover



closed
1 cable gland
without cover
with cover



closed
1 cable gland, bottom
without cover
with cover



Description	Type	M	Part No.	P.U.
500 V Bases, size 10				
Open-bottom base				
without cover	BAS GUT GA 10 50 A		70.320.1028.0	1
with cover	BAS GUT GE 10 50 A		70.325.1028.0	1
Closed-bottom base				
2 cable glands, 2 x M20				
without cover				
with cable gland, IP54, $\rightarrow \text{Ø} \leftarrow 3 - 14.5 \text{ mm}$	BAS GUT GB 10 M20 50 A0	20	70.330.1035.0	1
with threaded collar	BAS GUT GB 10 M20 50 A1	20	70.330.1035.1	1
with cover				
with cable gland, IP54, $\rightarrow \text{Ø} \leftarrow 3 - 14.5 \text{ mm}$	BAS GUT GF 10 M20 50 A0	20	70.340.1035.0	1
with threaded collar	BAS GUT GF 10 M20 50 A1	20	70.340.1035.1	1
2 cable glands, 2 x M25				
without cover				
with cable gland, IP54, $\rightarrow \text{Ø} \leftarrow 7.5 - 19 \text{ mm}$	BAS GUT GB 10 M25 50 A0	25	70.334.1035.0	1
with threaded collar	BAS GUT GB 10 M25 50 A1	25	70.334.1035.1	1
with cover				
with cable gland, IP54, $\rightarrow \text{Ø} \leftarrow 7.5 - 19 \text{ mm}$	BAS GUT GF 10 M25 50 A0	25	70.344.1035.0	1
with threaded collar	BAS GUT GF 10 M25 50 A1	25	70.344.1035.1	1
1 cable gland, left, 1 x M20				
without cover				
with cable gland, IP54, $\rightarrow \text{Ø} \leftarrow 3 - 14.5 \text{ mm}$	BAS GUT GC 10 M20 50 A0	20	70.331.1035.0	1
with threaded collar	BAS GUT GC 10 M20 50 A1	20	70.331.1035.1	1
with cover				
with cable gland, IP54, $\rightarrow \text{Ø} \leftarrow 3 - 14.5 \text{ mm}$	BAS GUT GG 10 M20 50 A0	20	70.341.1035.0	1
with threaded collar	BAS GUT GG 10 M20 50 A1	20	70.341.1035.1	1
1 cable gland, left, 1 x M25				
without cover				
with cable gland, IP54, $\rightarrow \text{Ø} \leftarrow 7.5 - 19 \text{ mm}$	BAS GUT GC 10 M25 50 A0	25	70.335.1035.0	1
with threaded collar	BAS GUT GC 10 M25 50 A1	25	70.335.1035.1	1
1 cable gland, right, 1 x M20				
with cover				
with cable gland, IP54, $\rightarrow \text{Ø} \leftarrow 3 - 14.5 \text{ mm}$	BAS GUT GH 10 M20 50 A0	20	70.342.1035.0	1
with threaded collar	BAS GUT GH 10 M20 50 A1	20	70.342.1035.1	1
1 cable gland, bottom, 1 x M20				
without cover				
with cable gland, IP54, $\rightarrow \text{Ø} \leftarrow 3 - 14.5 \text{ mm}$	BAS GUT GD 10 M20 50 A0	20	70.333.1035.0	1
with threaded collar	BAS GUT GD 10 M20 50 A1	20	70.333.1035.1	1
with cover				
with cable gland, IP54, $\rightarrow \text{Ø} \leftarrow 3 - 14.5 \text{ mm}$	BAS GUT GI 10 M20 50 A0	20	70.343.1035.0	1
with threaded collar	BAS GUT GI 10 M20 50 A1	20	70.343.1035.1	1
1 cable gland, bottom, 1 x M25				
without cover				
with cable gland, IP54, $\rightarrow \text{Ø} \leftarrow 7.5 - 19 \text{ mm}$	BAS GUT GD 10 M25 50 A0	25	70.337.1035.0	1
with threaded collar	BAS GUT GD 10 M25 50 A1	25	70.337.1035.1	1

Technical data

Material	Die cast aluminum alloy
Surface	silicon-free
Locking levers	Handle: Polyamide, UL94-V0; stainless steel: V2A
Gasket	NBR
Degree of protection	
with latched locking levers	IP54
with appropriate cable glands	IP65
Temperature range	-40 – +120 °C

Description	Type	M	Part No.	P.U.
Accessories				
Cable gland IP68, plastic material, gray	Connection range 6 – 12 mm	20	Z5.507.1353.0	10
Cable gland IP68, nickel-plated brass	Connection range 8 – 13 mm	20	Z5.507.1321.0	10
Cable gland IP68, plastic material, gray	Connection range 7 – 16 mm	25	Z5.507.1553.0	10
Cable gland IP68, nickel-plated brass	Connection range 11 – 18 mm	25	Z5.507.1521.0	10
Contact inserts				
See the product matrix			Page 24–25	

All Bases on this page are also available in M25 design.
The fifth digit of the part number always increases by 4 for M25 compared to the corresponding M20 designs.
Example:
70.341.1035.0 for M20 becomes 70.345.0635.0 for M25

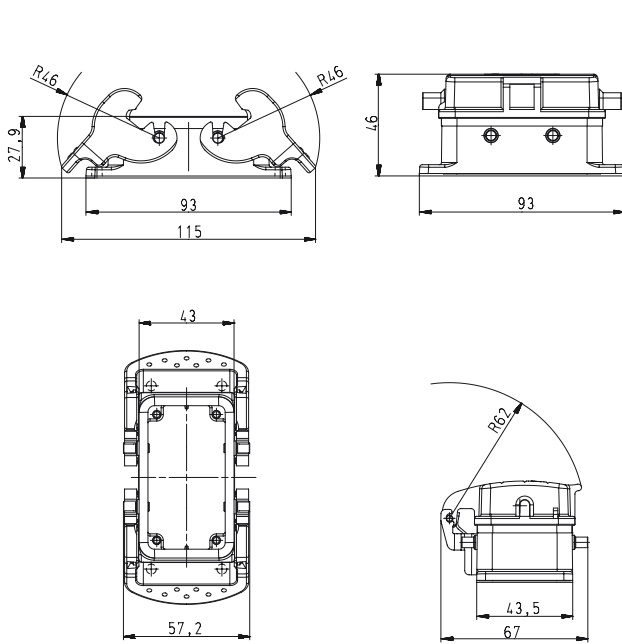
Note:

In 2013 the design of the revos housings will change. Through the use of an integrated insulation strip, voltage ranges of up to 690 V can then be covered. Additionally, a new, flexible marking system will be available to you.

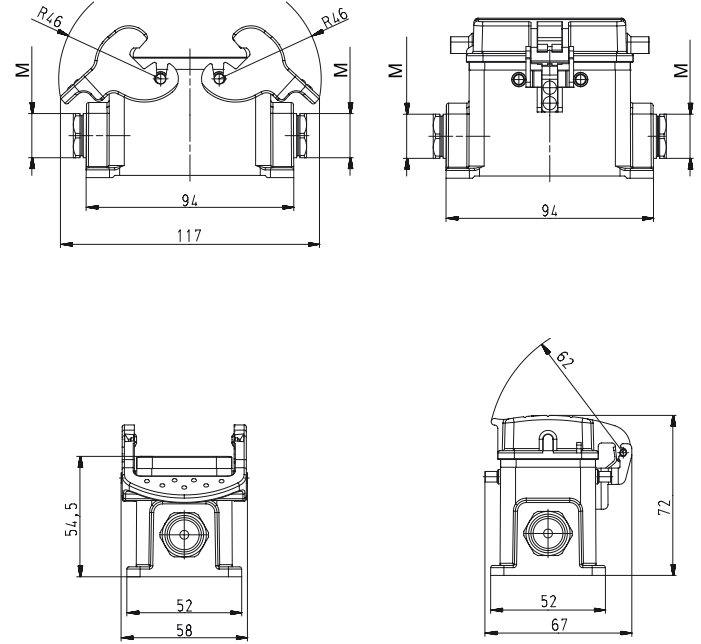
Dimensions

Bases

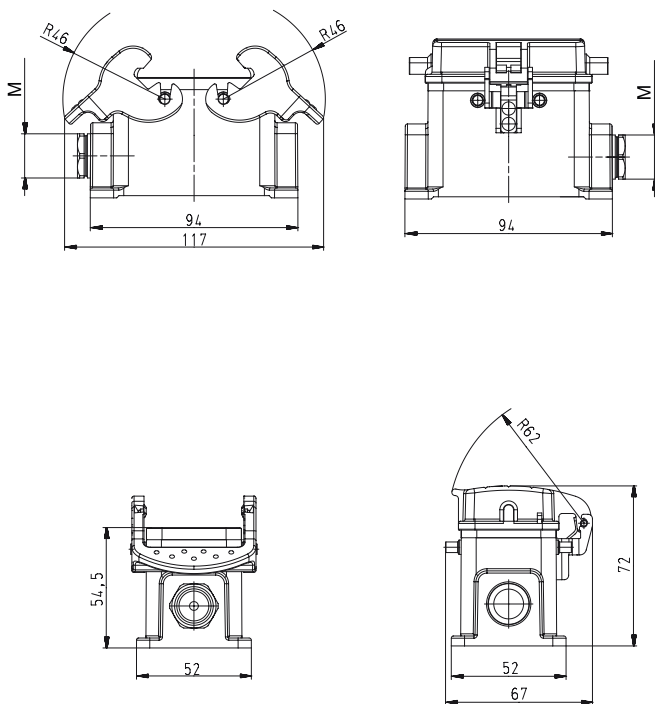
open



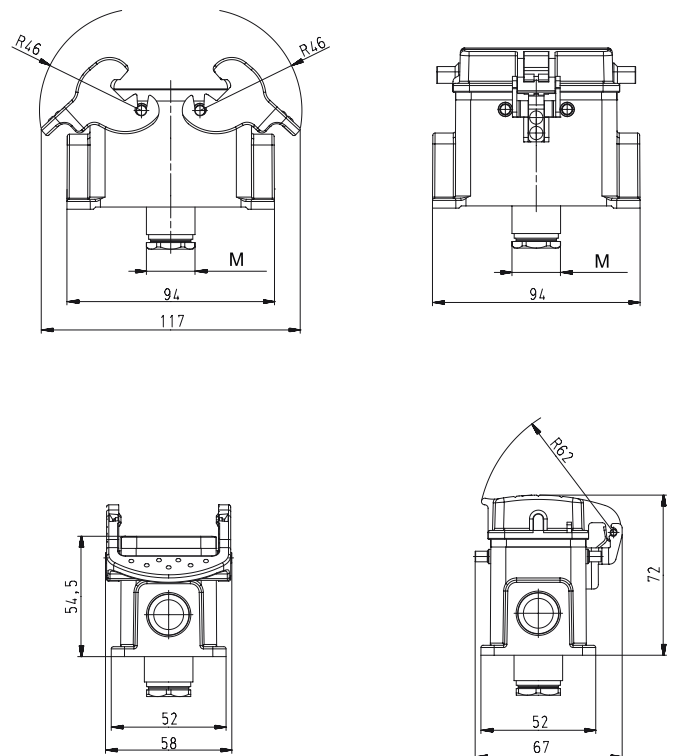
closed, 2 cable glands



closed, 1 cable gland



closed, 1 cable gland, bottom



500 V Bases, double locking lever Size 10H, increased height design

500 V Bases Size 10H, increased height design

closed M25
2 cable glands
without cover
with cover



Description	Type	M	Part No.	P.U.
500 V Bases, size 10H	Aluminum housing			
Closed-bottom base				
2 cable glands, 2 x M25				
without cover				
with cable gland, IP54, $\rightarrow \text{Ø} \leftarrow$ 7.5 – 19 mm	BAS GUT GB 10H M25 50 A0	25	73.330.1035.0	1
with threaded collar	BAS GUT GB 10H M25 50 A1	25	73.330.1035.1	1
with cover				
with cable gland, IP54, $\rightarrow \text{Ø} \leftarrow$ 7.5 – 19 mm	BAS GUT GF 10H M25 50 A0	25	73.340.1035.0	1
with threaded collar	BAS GUT GF 10H M25 50 A1	25	73.340.1035.1	1
2 cable glands, 2 x M32				
without cover				
with cable gland, IP54, $\rightarrow \text{Ø} \leftarrow$ 15 – 26.5 mm	BAS GUT GB 10H M32 50 A0	32	73.334.1035.0	1
with threaded collar	BAS GUT GB 10H M32 50 A1	32	73.334.1035.1	1
with cover				
with cable gland, IP54, $\rightarrow \text{Ø} \leftarrow$ 15 – 26.5 mm	BAS GUT GF 10H M32 50 A0	32	73.344.1035.0	1
with threaded collar	BAS GUT GF 10H M32 50 A1	32	73.344.1035.1	1
1 cable gland, left, 1 x M25				
without cover				
with cable gland, IP54, $\rightarrow \text{Ø} \leftarrow$ 7.5 – 19 mm	BAS GUT GC 10H M25 50 A0	25	73.331.1035.0	1
with threaded collar	BAS GUT GC 10H M25 50 A1	25	73.331.1035.1	1
with cover				
with cable gland, IP54, $\rightarrow \text{Ø} \leftarrow$ 7.5 – 19 mm	BAS GUT GG 10H M25 50 A0	25	73.341.1035.0	1
with threaded collar	BAS GUT GG 10H M25 50 A1	25	73.341.1035.1	1
1 cable gland, left, 1 x M32				
without cover				
with cable gland, IP54, $\rightarrow \text{Ø} \leftarrow$ 15 – 26.5 mm	BAS GUT GC 10H M32 50 A0	32	73.335.1035.0	1
with threaded collar	BAS GUT GC 10H M32 50 A1	32	73.335.1035.1	1
with cover				
with cable gland, IP54, $\rightarrow \text{Ø} \leftarrow$ 15 – 26.5 mm	BAS GUT GG 10H M32 50 A0	32	73.345.1035.0	1
with threaded collar	BAS GUT GG 10H M32 50 A1	32	73.345.1035.1	1
1 cable gland, right, 1 x M25				
with cover				
with cable gland, IP54, $\rightarrow \text{Ø} \leftarrow$ 7.5 – 19 mm	BAS GUT GH 10H M25 50 A0	25	73.342.1035.0	1
with threaded collar	BAS GUT GH 10H M25 50 A1	25	73.342.1035.1	1
1 cable gland, right, 1 x M32				
with cover				
with cable gland, IP54, $\rightarrow \text{Ø} \leftarrow$ 15 – 26.5 mm	BAS GUT GH 10H M32 50 A0	32	73.346.1035.0	1
with threaded collar	BAS GUT GH 10H M32 50 A1	32	73.346.1035.1	1
Technical data				
Material	Die cast aluminum alloy			
Surface	silicon-free			
Locking levers	Handle: Polyamide, UL94-V0; stainless steel: V2A			
Gasket	NBR			
Degree of protection				
with latched locking levers	IP54			
with appropriate cable glands	IP65			
Temperature range	-40 – +120 °C			
Description	Type	M	Part No.	P.U.
Accessories				
Cable gland IP68, plastic material, gray	Connection range 7 – 16 mm	25	Z5.507.1553.0	10
Cable gland IP68, nickel-plated brass	Connection range 11 – 18 mm	25	Z5.507.1521.0	10
Cable gland IP68, plastic material, gray	Connection range 10 – 21 mm	32	Z5.507.1753.0	10
Cable gland IP68, nickel-plated brass	Connection range 15 – 21 mm	32	Z5.507.1721.0	10
Contact inserts				
See the product matrix			Page 24–25	

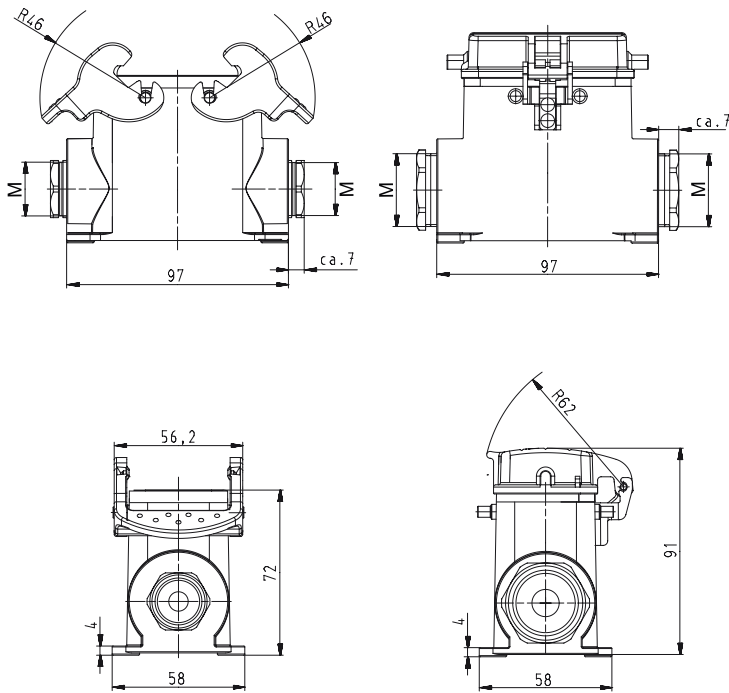
Note:

In 2013 the housing will be equipped with an insulation strip. With this modification, voltage ranges of up to 690 V can be covered.

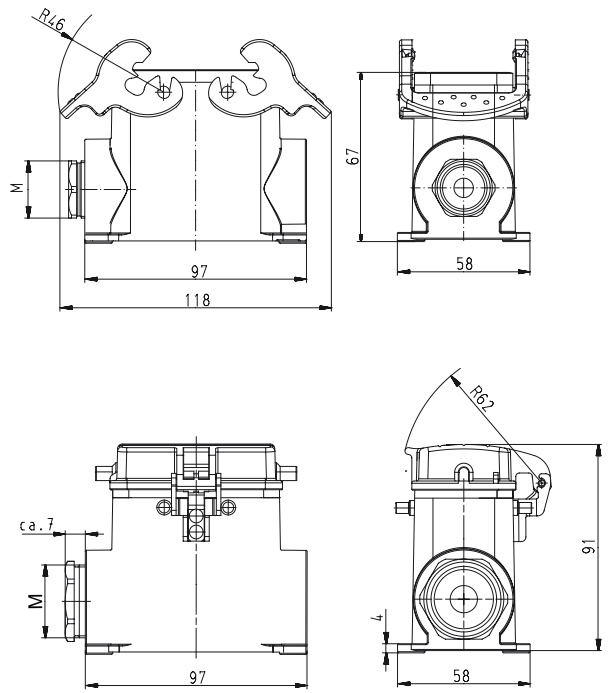
Dimensions

Bases

closed, 2 cable glands



closed, 1 cable gland



500 V Hoods, single locking lever Size 16

500 V Hoods Size 16



Lateral cable entry



Top cable entry



Multipole connectors for cable-to-cable couplings



Description	Type	M	Part No.	P.U.
500 V Hoods, size 16				
Lateral cable entry M25				
with cable gland, IP54, $\rightarrow \varnothing $ 7.5 – 19 mm	BAS GOT GG 16 M25 50 A0	25	71.350.1635.0	1
with threaded collar	BAS GOT GG 16 M25 50 A1	25	71.350.1635.1	1
with intermediate support	BAS GOT GG 16 M25 50 A2	25	71.350.1635.2	1
with strain relief, IP54	BAS GOT GG 16 M25 50 A3	25	71.350.1635.3	1
Lateral cable entry M32				
with cable gland, IP54, $\rightarrow \varnothing $ 15 – 26.5 mm	BAS GOT GG 16 M32 50 A0	32	71.353.1635.0	1
with threaded collar	BAS GOT GG 16 M32 50 A1	32	71.353.1635.1	1
with intermediate support	BAS GOT GG 16 M32 50 A2	32	71.353.1635.2	1
with strain relief, IP54	BAS GOT GG 16 M32 50 A3	32	71.353.1635.3	1
Top cable entry M25				
with cable gland, IP54, $\rightarrow \varnothing $ 7.5 – 19 mm	BAS GOT GI 16 M25 50 A0	25	71.352.1635.0	1
with threaded collar	BAS GOT GI 16 M25 50 A1	25	71.352.1635.1	1
with intermediate support	BAS GOT GI 16 M25 50 A2	25	71.352.1635.2	1
with strain relief, IP54	BAS GOT GI 16 M25 50 A3	25	71.352.1635.3	1
Top cable entry M32				
with cable gland, IP54, $\rightarrow \varnothing $ 15 – 26.5 mm	BAS GOT GI 16 M32 50 A0	32	71.354.1635.0	1
with threaded collar	BAS GOT GI 16 M32 50 A1	32	71.354.1635.1	1
with intermediate support	BAS GOT GI 16 M32 50 A2	32	71.354.1635.2	1
with strain relief, IP54	BAS GOT GI 16 M32 50 A3	32	71.354.1635.3	1
Multipole connectors for cable-to-cable couplings M25				
with cable gland, IP54, $\rightarrow \varnothing $ 7.5 – 19 mm	BAS GOT GI 16 M25 50 A0	25	71.352.1635.0	1
with cable gland, IP54, $\rightarrow \varnothing $ 7.5 – 19 mm Locking levers and gasket	BAS GOT GL 16 M25 50 A0	25	71.372.1635.0	1
with threaded collar	BAS GOT GI 16 M25 50 A1	25	71.352.1635.1	1
with threaded collar Locking levers and gasket	BAS GOT GL 16 M25 50 A1	25	71.372.1635.1	1
with strain relief, IP54	BAS GOT GI 16 M25 50 A3	25	71.352.1635.3	1
with strain relief, IP54 Locking levers and gasket	BAS GOT GL 16 M25 50 A3	25	71.372.1635.3	1
Technical data				
Material	Die cast aluminum alloy			
Surface	silicon-free			
Locking levers at Multipole connectors	Handle: Polyamide, UL94-V0; stainless steel: V2A			
Gasket at Multipole connectors	NBR			
Degree of protection				
with latched locking levers	IP54			
with appropriate cable glands	IP65			
Temperature range	-40 – +120 °C			
Description	Type	M	Part No.	P.U.
Accessories				
Cable gland IP68, plastic material, gray	Connection range 7 – 16 mm	25	Z5.507.1553.0	10
Cable gland IP68, nickel-plated brass	Connection range 11 – 18 mm	25	Z5.507.1521.0	10
Cable gland IP68, plastic material, gray	Connection range 10 – 21 mm	32	Z5.507.1753.0	10
Cable gland IP68, nickel-plated brass	Connection range 15 – 21 mm	32	Z5.507.1721.0	10
Contact inserts				
See the product matrix			Page 24–25	

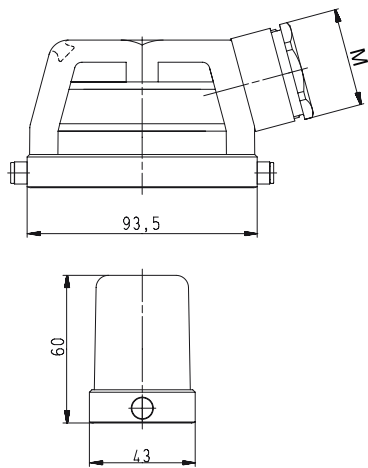
Note:

In 2013 the design of the revos housings will change. Through the use of an integrated insulation strip, voltage ranges of up to 690 V can then be covered. Additionally, a new, flexible marking system will be available to you.

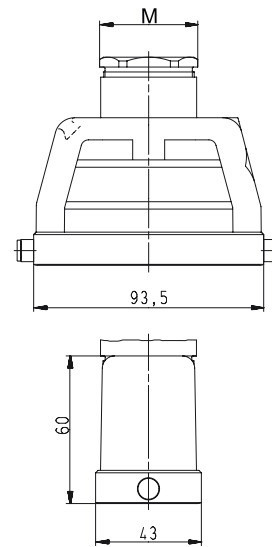
Dimensions

Hoods

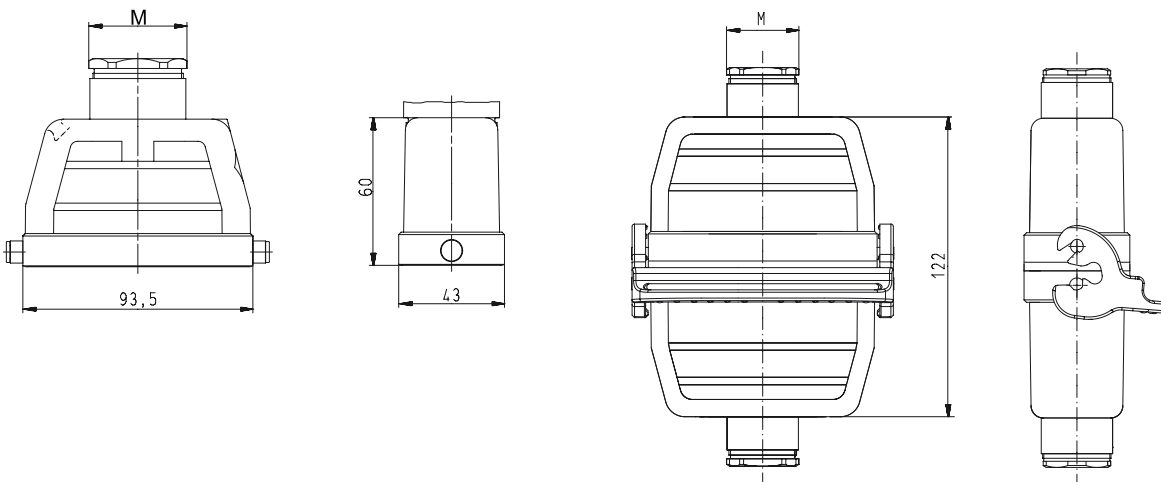
Lateral cable entry



Top cable entry



Multipole connectors for cable-to-cable couplings



500 V Hoods, single locking lever Size 16H, increased height design

500 V Hoods Size 16H, increased height design

Lateral cable entry



Top cable entry



Multipole connectors for cable-to-cable couplings



Description	Type	M	Part No.	P.U.
500 V Hoods, size 16H				
Lateral cable entry M25				
with cable gland, IP54, $\rightarrow \text{Ø} $ 7.5 – 19 mm	BAS GOT GG 40H M25 50 A0	25	76.350.4035.0	1
with threaded collar	BAS GOT GG 40H M25 50 A1	25	76.350.4035.1	1
with intermediate support	BAS GOT GG 40H M25 50 A2	25	76.350.4035.2	1
with strain relief, IP54	BAS GOT GG 40H M25 50 A3	25	76.350.4035.3	1
Lateral cable entry M32				
with cable gland, IP54, $\rightarrow \text{Ø} $ 15 – 26.5 mm	BAS GOT GG 40H M32 50 A0	32	76.353.4035.0	1
with threaded collar	BAS GOT GG 40H M32 50 A1	32	76.353.4035.1	1
with intermediate support	BAS GOT GG 40H M32 50 A2	32	76.353.4035.2	1
with strain relief, IP54	BAS GOT GG 40H M32 50 A3	32	76.353.4035.3	1
Lateral cable entry M40				
with cable gland, IP54, $\rightarrow \text{Ø} $ 19 – 27 mm	BAS GOT GG 40H M40 50 A0	40	76.360.4035.0	1
with threaded collar	BAS GOT GG 40H M40 50 A1	40	76.360.4035.1	1
Top cable entry M25				
with cable gland, IP54, $\rightarrow \text{Ø} $ 7.5 – 19 mm	BAS GOT GI 40H M25 50 A0	25	76.352.4035.0	1
with threaded collar	BAS GOT GI 40H M25 50 A1	25	76.352.4035.1	1
with intermediate support	BAS GOT GI 40H M25 50 A2	25	76.352.4035.2	1
with strain relief, IP54	BAS GOT GI 40H M25 50 A3	25	76.352.4035.3	1
Top cable entry M32				
with cable gland, IP54, $\rightarrow \text{Ø} $ 15 – 26.5 mm	BAS GOT GI 40H M32 50 A0	32	76.354.4035.0	1
with threaded collar	BAS GOT GI 40H M32 50 A1	32	76.354.4035.1	1
with intermediate support	BAS GOT GI 40H M32 50 A2	32	76.354.4035.2	1
with strain relief, IP54	BAS GOT GI 40H M32 50 A3	32	76.354.4035.3	1
Top cable entry M40				
with threaded collar	BAS GOT GI 40H M40 50 A1	40	76.362.4035.1	1
Multipole connectors for cable-to-cable couplings M32				
with cable gland, IP54, $\rightarrow \text{Ø} $ 15 – 26.5 mm	BAS GOT GI 40H M32 50 A0	32	76.354.4035.0	1
with cable gland, IP54, $\rightarrow \text{Ø} $ 15 – 26.5 mm Locking levers and gasket	BAS GOT GL 40H M32 50 A0	32	76.374.4035.0	1
Technical data				
Material	Die cast aluminum alloy			
Surface	silicon-free			
Locking levers at Multipole connectors	Handle: Polyamide, UL94-V0; stainless steel: V2A			
Gasket at Multipole connectors	NBR			
Degree of protection				
with latched locking levers	IP54			
with appropriate cable glands	IP65			
Temperature range	-40 – +120 °C			
Description	Type	M	Part No.	P.U.
Accessories				
Cable gland IP68, plastic material, gray	Connection range 7 – 16 mm	25	Z5.507.1553.0	10
Cable gland IP68, nickel-plated brass	Connection range 11 – 18 mm	25	Z5.507.1521.0	10
Cable gland IP68, plastic material, gray	Connection range 10 – 21 mm	32	Z5.507.1753.0	10
Cable gland IP68, nickel-plated brass	Connection range 15 – 21 mm	32	Z5.507.1721.0	10
Cable gland IP68, plastic material, gray	Connection range 16 – 28 mm	40	Z5.507.1953.0	1
Cable gland IP68, nickel-plated brass	Connection range 19 – 27 mm	40	Z5.507.1921.0	1
Contact inserts				
See the product matrix			Page 24-25	

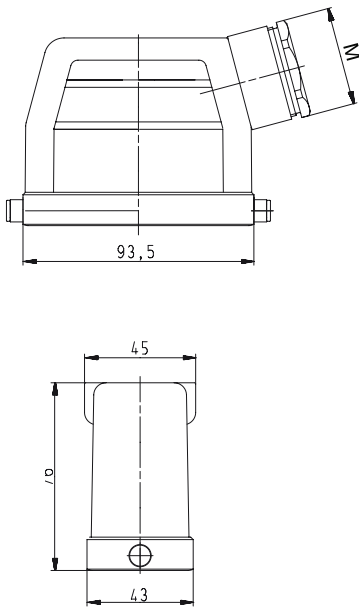
Note:

In 2013 the housing will be equipped with an insulation strip. With this modification, voltage ranges of up to 690 V can be covered.

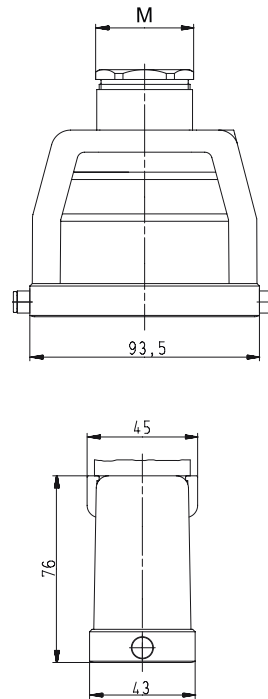
Dimensions

Hoods

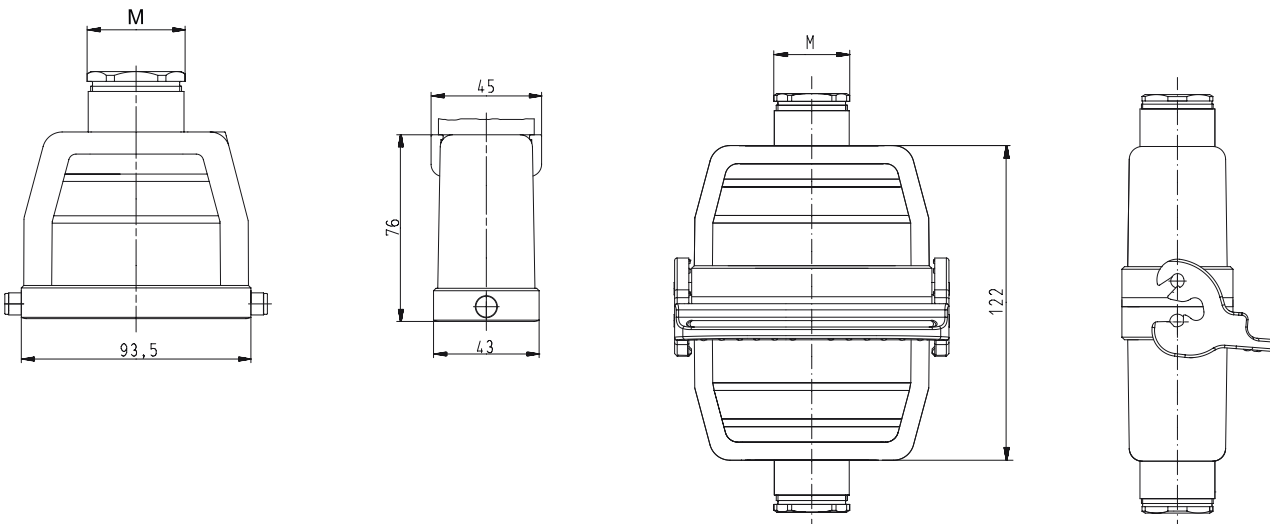
Lateral cable entry



Top cable entry



Multipole connectors for cable-to-cable couplings



500 V Bases, single locking lever Size 16

500 V Bases, Size 16



open

without cover
with cover



closed 1 cable gland

without cover
with cover



closed 1 cable gland, bottom

without cover
with cover



Description	Type	M	Part No.	P.U.
500 V Bases, size 16				
Open-bottom base				
without cover	BAS GUT GK 16 50 A		71.320.1628.0	1
with cover	BAS GUT GP 16 50 A		71.325.1628.0	1
Closed-bottom base				
2 cable glands, 2 x M25				
without cover				
with cable gland, IP54, $\rightarrow \varnothing $ 7.5– 19 mm	BAS GUT GL 16 M25 50 A0	25	71.330.1635.0	1
with threaded collar	BAS GUT GL 16 M25 50 A1	25	71.330.1635.1	1
with cover				
with cable gland, IP54, $\rightarrow \varnothing $ 7.5– 19 mm	BAS GUT GR 16 M25 50 A0	25	71.340.1635.0	1
with threaded collar	BAS GUT GR 16 M25 50 A1	25	71.340.1635.1	1
1 cable gland, left, 1 x M25				
without cover				
with cable gland, IP54, $\rightarrow \varnothing $ 7.5– 19 mm	BAS GUT GM 16 M25 50 A0	25	71.331.1635.0	1
with threaded collar	BAS GUT GM 16 M25 50 A1	25	71.331.1635.1	1
with cover				
with cable gland, IP54, $\rightarrow \varnothing $ 7.5– 19 mm	BAS GUT GS 16 M25 50 A0	25	71.341.1635.0	1
with threaded collar	BAS GUT GS 16 M25 50 A1	25	71.341.1635.1	1
1 cable gland, right, 1 x M25				
with cover				
with cable gland, IP54, $\rightarrow \varnothing $ 7.5– 19 mm	BAS GUT GT 16 M25 50 A0	25	71.342.1635.0	1
with threaded collar	BAS GUT GT 16 M25 50 A1	25	71.342.1635.1	1
1 cable gland, bottom, 1 x M25				
without cover				
with cable gland, IP54, $\rightarrow \varnothing $ 7.5– 19 mm	BAS GUT GO 16 M25 50 A0	25	71.333.1635.0	1
with threaded collar	BAS GUT GO 16 M25 50 A1	25	71.333.1635.1	1
with cover				
with cable gland, IP54, $\rightarrow \varnothing $ 7.5– 19 mm	BAS GUT GU 16 M25 50 A0	25	71.343.1635.0	1
with threaded collar	BAS GUT GU 16 M25 50 A1	25	71.343.1635.1	1

Technical data

Material	Die cast aluminum alloy
Surface	silicon-free
Locking levers	Handle: Polyamide, UL94-V0; stainless steel: V2A
Gasket	NBR
Degree of protection	
with latched locking levers	IP54
with appropriate cable glands	IP65
Temperature range	-40 – +120 °C

Description	Type	M	Part No.	P.U.
-------------	------	---	----------	------

Accessories

Cable gland IP68, plastic material, gray	Connection range 7 – 16 mm	25	Z5.507.1553.0	10
Cable gland IP68, nickel-plated brass	Connection range 11 – 18 mm	25	Z5.507.1521.0	10

Contact inserts

See the product matrix Page 24–25

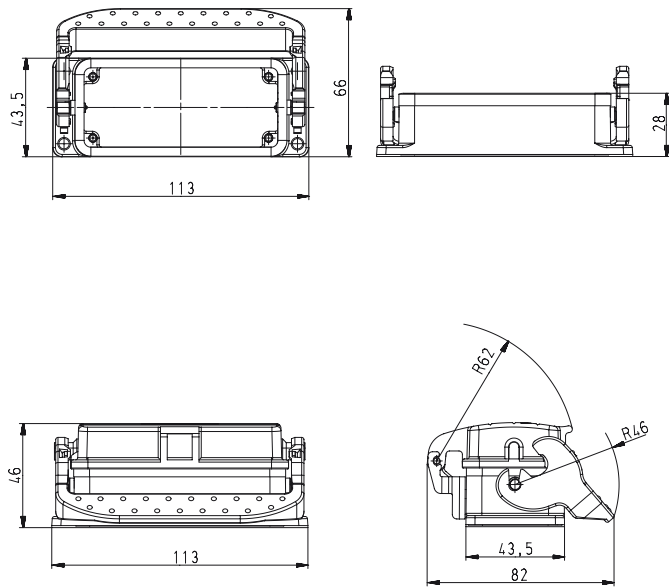
Note:

In 2013 the design of the revos housings will change. Through the use of an integrated insulation strip, voltage ranges of up to 690 V can then be covered. Additionally, a new, flexible marking system will be available to you.

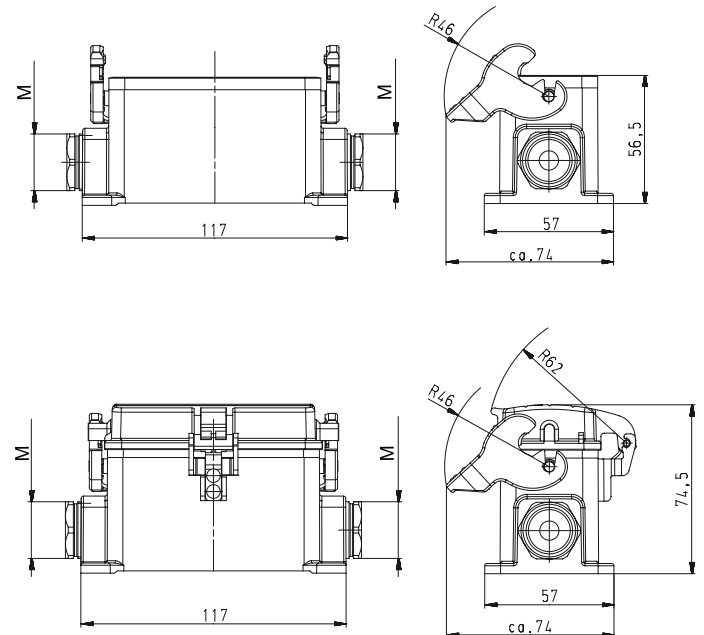
Dimensions

Bases

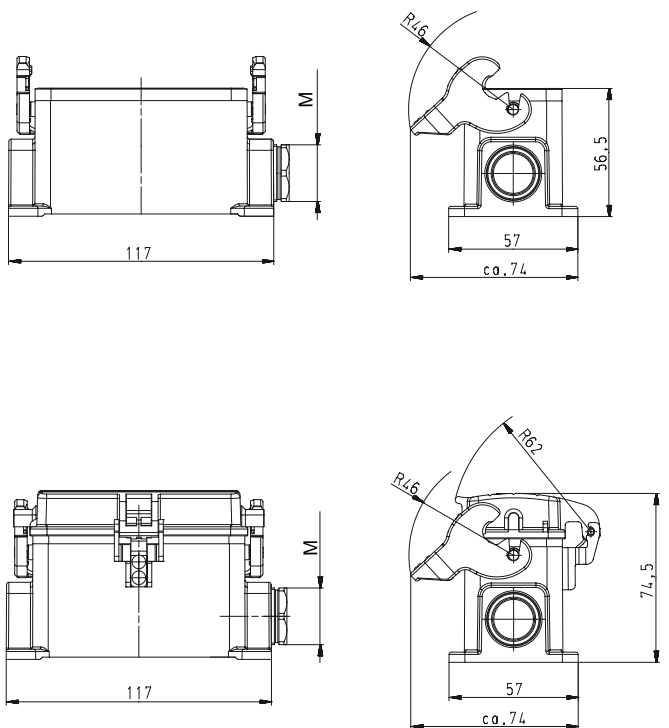
open



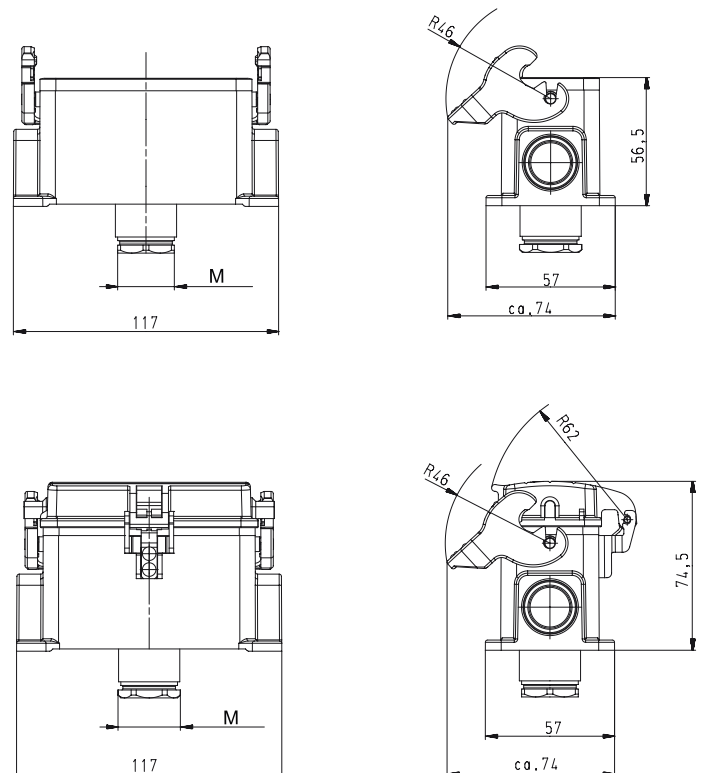
closed, 2 cable glands



closed, 1 cable gland



closed, 1 cable gland, bottom



500 V Bases, single locking lever Size 16H, increased height design

500 V Bases Size 16H, increased height design

**closed M25
2 cable glands
without cover
with cover**



**closed M32
2 cable glands
without cover
with cover**



**closed M25
1 cable gland, bottom
without cover
with cover**



Description	Type	M	Part No.	P.U.
500 V Bases, size 16H	Aluminum housing			
Closed-bottom base				
2 cable glands, 2 x M25				
without cover				
with cable gland, IP54, $\rightarrow \text{Ø} \leftarrow$ 7.5 – 19 mm	BAS GUT GL 40H M25 50 A0	25	76.330.4035.0	1
with threaded collar	BAS GUT GL 40H M25 50 A1	25	76.330.4035.1	1
with cover				
with cable gland, IP54, $\rightarrow \text{Ø} \leftarrow$ 7.5 – 19 mm	BAS GUT GR 40H M25 50 A0	25	76.340.4035.0	1
with threaded collar	BAS GUT GR 40H M25 50 A1	25	76.340.4035.1	1
2 cable glands, 2 x M32				
without cover				
with cable gland, IP54, $\rightarrow \text{Ø} \leftarrow$ 15 – 26.5 mm	BAS GUT GL 40H M32 50 A0	32	76.334.4035.0	1
with threaded collar	BAS GUT GL 40H M32 50 A1	32	76.334.4035.1	1
with cover				
with cable gland, IP54, $\rightarrow \text{Ø} \leftarrow$ 15 – 26.5 mm	BAS GUT GR 40H M32 50 A0	32	76.344.4035.0	1
with threaded collar	BAS GUT GR 40H M32 50 A1	32	76.344.4035.1	1
1 cable gland, left, 1 x M25				
without cover				
with cable gland, IP54, $\rightarrow \text{Ø} \leftarrow$ 7.5 – 19 mm	BAS GUT GM 40H M25 50 A0	25	76.331.4035.0	1
with threaded collar	BAS GUT GM 40H M25 50 A1	25	76.331.4035.1	1
with cover				
with cable gland, IP54, $\rightarrow \text{Ø} \leftarrow$ 7.5 – 19 mm	BAS GUT GS 40H M25 50 A0	25	76.341.4035.0	1
with threaded collar	BAS GUT GS 40H M25 50 A1	25	76.341.4035.1	1
1 cable gland, left, 1 x M32				
without cover				
with cable gland, IP54, $\rightarrow \text{Ø} \leftarrow$ 15 – 26.5 mm	BAS GUT GM 40H M32 50 A0	32	76.335.4035.0	1
with threaded collar	BAS GUT GM 40H M32 50 A1	32	76.335.4035.1	1
with cover				
with cable gland, IP54, $\rightarrow \text{Ø} \leftarrow$ 15 – 26.5 mm	BAS GUT GS 40H M32 50 A0	32	76.345.4035.0	1
with threaded collar	BAS GUT GS 40H M32 50 A1	32	76.345.4035.1	1
1 cable gland, right, 1 x M25				
with cover				
with cable gland, IP54, $\rightarrow \text{Ø} \leftarrow$ 7.5 – 19 mm	BAS GUT GT 40H M25 50 A0	25	76.342.4035.0	1
with threaded collar	BAS GUT GT 40H M25 50 A1	25	76.342.4035.1	1
1 cable gland, right, 1 x M32				
with cover				
with cable gland, IP54, $\rightarrow \text{Ø} \leftarrow$ 15 – 26.5 mm	BAS GUT GT 40H M32 50 A0	32	76.346.4035.0	1
with threaded collar	BAS GUT GT 40H M32 50 A1	32	76.346.4035.1	1
1 cable gland, bottom, 1 x M25				
without cover				
with cable gland, IP54, $\rightarrow \text{Ø} \leftarrow$ 7.5 – 19 mm	BAS GUT GO 40H M25 50 A0	25	76.333.4035.0	1
with threaded collar	BAS GUT GO 40H M25 50 A1	25	76.333.4035.1	1
with cover				
with cable gland, IP54, $\rightarrow \text{Ø} \leftarrow$ 7.5 – 19 mm	BAS GUT GU 40H M25 50 A0	25	76.343.4035.0	1
with threaded collar	BAS GUT GU 40H M25 50 A1	25	76.343.4035.1	1
1 cable gland, bottom, 1 x M32				
without cover				
with cable gland, IP54, $\rightarrow \text{Ø} \leftarrow$ 15 – 26.5 mm	BAS GUT GO 40H M32 50 A0	32	76.337.4035.0	1
with threaded collar	BAS GUT GO 40H M32 50 A1	32	76.337.4035.1	1
with cover				
with cable gland, IP54, $\rightarrow \text{Ø} \leftarrow$ 15 – 26.5 mm	BAS GUT GU 40H M32 50 A0	32	76.347.4035.0	1
with threaded collar	BAS GUT GU 40H M32 50 A1	32	76.347.4035.1	1

Technical data

Material	Die cast aluminum alloy
Surface	silicon-free
Locking levers	Handle: Polyamide, UL94-V0; stainless steel: V2A
Gasket	NBR
Degree of protection	
with latched locking levers	IP54
with appropriate cable glands	IP65
Temperature range	-40 – +120 °C

Description	Type	M	Part No.	P.U.
Accessories				
Cable gland IP68, plastic material, gray	Connection range 7 – 16 mm	25	Z5.507.1553.0	10
Cable gland IP68, nickel-plated brass	Connection range 11 – 18 mm	25	Z5.507.1521.0	10
Cable gland IP68, plastic material, gray	Connection range 10 – 21 mm	32	Z5.507.1753.0	10
Cable gland IP68, nickel-plated brass	Connection range 15 – 21 mm	32	Z5.507.1721.0	10
Contact inserts				
See the product matrix			Page 24–25	

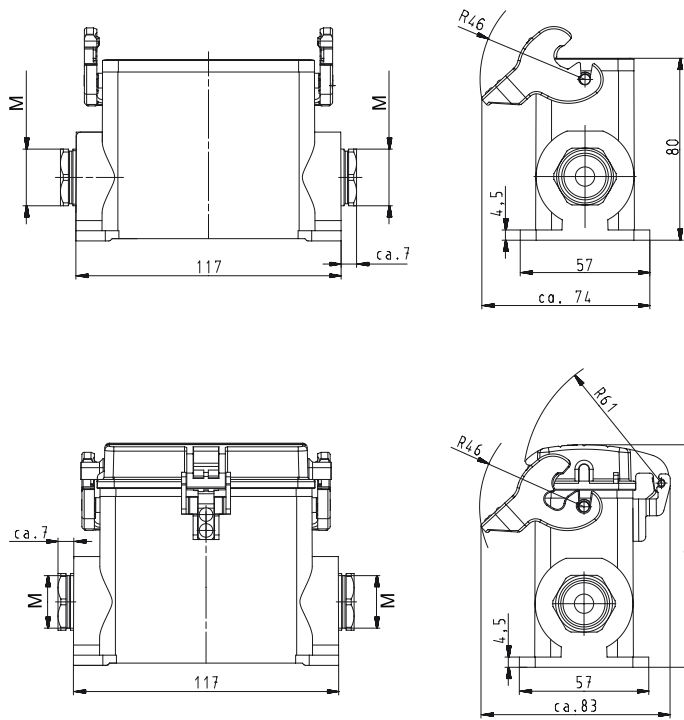
All Bases on this page are also available in M40 design.
Part numbers available on request.

Note: In 2013 the housing will be equipped with an insulation strip. With this modification, voltage ranges of up to 690 V can be covered.

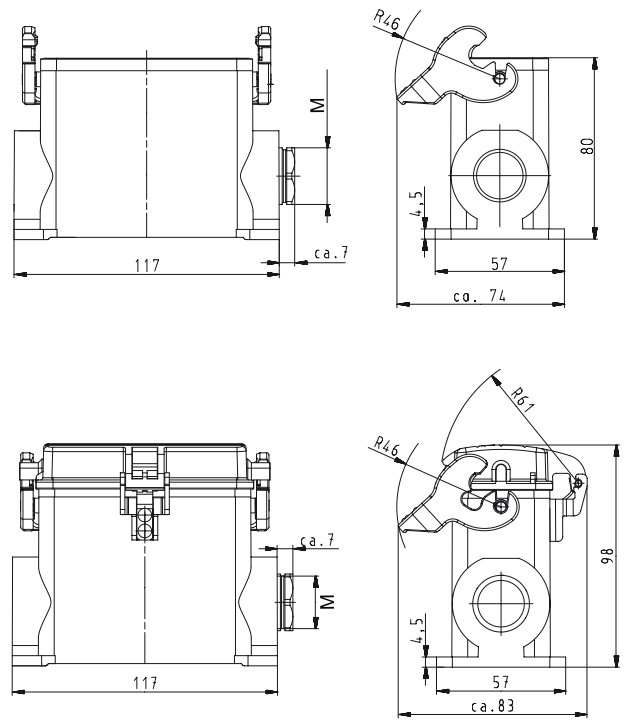
Dimensions

Bases

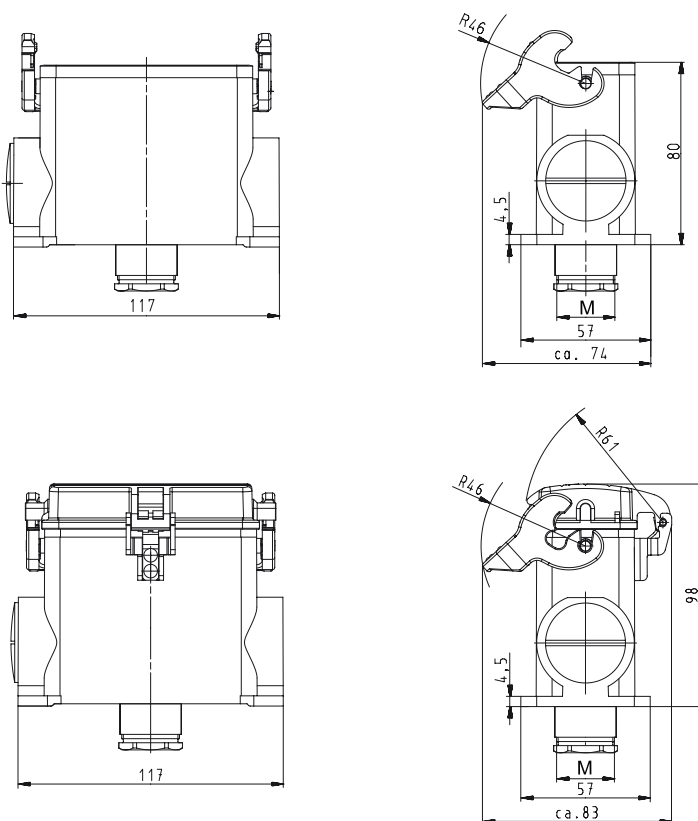
closed, 2 cable glands



closed, 1 cable gland



closed, 1 cable gland, bottom



500 V Hoods, double locking lever Size 16

500 V Hoods Size 16



Lateral cable entry



Top cable entry



Description	Type	M	Part No.	P.U.
500 V Hoods, size 16				
Lateral cable entry M25				
with cable gland, IP54, $\rightarrow \varnothing $ 7.5 – 19 mm	BAS GOT GA 16 M25 50 A0	25	70.350.1635.0	1
with threaded collar	BAS GOT GA 16 M25 50 A1	25	70.350.1635.1	1
with intermediate support	BAS GOT GA 16 M25 50 A2	25	70.350.1635.2	1
with strain relief, IP54	BAS GOT GA 16 M25 50 A3	25	70.350.1635.3	1
Lateral cable entry M32				
with cable gland, IP54, $\rightarrow \varnothing $ 15 – 26.5 mm	BAS GOT GA 16 M32 50 A0	32	70.353.1635.0	1
with threaded collar	BAS GOT GA 16 M32 50 A1	32	70.353.1635.1	1
with intermediate support	BAS GOT GA 16 M32 50 A2	32	70.353.1635.2	1
with strain relief, IP54	BAS GOT GA 16 M32 50 A3	32	70.353.1635.3	1
Top cable entry M25				
with cable gland, IP54, $\rightarrow \varnothing $ 7.5 – 19 mm	BAS GOT GC 16 M25 50 A0	25	70.352.1635.0	1
with threaded collar	BAS GOT GC 16 M25 50 A1	25	70.352.1635.1	1
with intermediate support	BAS GOT GC 16 M25 50 A2	25	70.352.1635.2	1
with strain relief, IP54	BAS GOT GC 16 M25 50 A3	25	70.352.1635.3	1
Top cable entry M32				
with cable gland, IP54, $\rightarrow \varnothing $ 15 – 26.5 mm	BAS GOT GC 16 M32 50 A0	32	70.354.1635.0	1
with threaded collar	BAS GOT GC 16 M32 50 A1	32	70.354.1635.1	1
with intermediate support	BAS GOT GC 16 M32 50 A2	32	70.354.1635.2	1
with strain relief, IP54	BAS GOT GC 16 M32 50 A3	32	70.354.1635.3	1
Technical data				
Material	Die cast aluminum alloy			
Surface	silicon-free			
Locking levers	-			
Gasket	-			
Degree of protection				
with latched locking levers	IP54			
with appropriate cable glands	IP65			
Temperature range	-40 – +120 °C			
Description	Type	M	Part No.	P.U.
Accessories				
Cable gland IP68, plastic material, gray	Connection range 7 – 16 mm	25	Z5.507.1553.0	10
Cable gland IP68, nickel-plated brass	Connection range 11 – 18 mm	25	Z5.507.1521.0	10
Cable gland IP68, plastic material, gray	Connection range 10 – 21 mm	32	Z5.507.1753.0	10
Cable gland IP68, nickel-plated brass	Connection range 15 – 21 mm	32	Z5.507.1721.0	10
Contact inserts				
See the product matrix			Page 24–25	

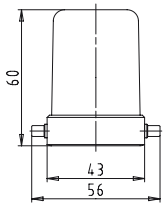
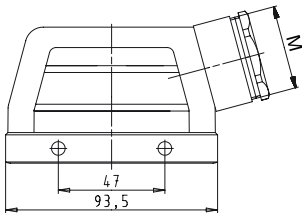
Note:

In 2013 the design of the revos housings will change. Through the use of an integrated insulation strip, voltage ranges of up to 690 V can then be covered. Additionally, a new, flexible marking system will be available to you.

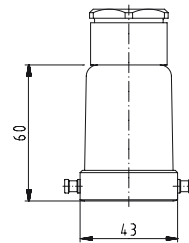
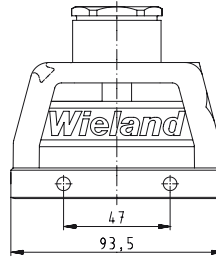
Dimensions

Hoods

500 V Size 16
Lateral cable entry



500 V Size 16
Top cable entry



500 V Hoods, double locking lever with Locking levers, Size 16

500 V Hoods Size 16



Lateral cable entry



Top cable entry



Multipole connectors for cable-to-cable couplings



Description	Type	M	Part No.	P.U.
500 V Hoods, size 16				
Lateral cable entry M25				
with cable gland, IP54, $\rightarrow \text{Ø} \leftarrow$ 7.5 – 19 mm	BAS GOT GD 16 M25 50 A0	25	70.355.1635.0	1
with threaded collar	BAS GOT GD 16 M25 50 A1	25	70.355.1635.1	1
with intermediate support	BAS GOT GD 16 M25 50 A2	25	70.355.1635.2	1
with strain relief, IP54	BAS GOT GD 16 M25 50 A3	25	70.355.1635.3	1
Lateral cable entry M32				
with cable gland, IP54, $\rightarrow \text{Ø} \leftarrow$ 15 – 26.5 mm	BAS GOT GD 16 M32 50 A0	32	70.358.1635.0	1
with threaded collar	BAS GOT GD 16 M32 50 A1	32	70.358.1635.1	1
with intermediate support	BAS GOT GD 16 M32 50 A2	32	70.358.1635.2	1
with strain relief, IP54	BAS GOT GD 16 M32 50 A3	32	70.358.1635.3	1
Top cable entry M25				
with cable gland, IP54, $\rightarrow \text{Ø} \leftarrow$ 7.5 – 19 mm	BAS GOT GF 16 M25 50 A0	25	70.357.1635.0	1
with threaded collar	BAS GOT GF 16 M25 50 A1	25	70.357.1635.1	1
with intermediate support	BAS GOT GF 16 M25 50 A2	25	70.357.1635.2	1
with strain relief, IP54	BAS GOT GF 16 M25 50 A3	25	70.357.1635.3	1
Top cable entry M32				
with cable gland, IP54, $\rightarrow \text{Ø} \leftarrow$ 15 – 26.5 mm	BAS GOT GF 16 M32 50 A0	32	70.359.1635.0	1
with threaded collar	BAS GOT GF 16 M32 50 A1	32	70.359.1635.1	1
with intermediate support	BAS GOT GF 16 M32 50 A2	32	70.359.1635.2	1
with strain relief, IP54	BAS GOT GF 16 M32 50 A3	32	70.359.1635.3	1
Multipole connectors for cable-to-cable couplings M25				
with cable gland, IP54, $\rightarrow \text{Ø} \leftarrow$ 7.5 – 19 mm	BAS GOT GC 16 M25 50 A0	25	70.352.1635.0	1
with cable gland, IP54, $\rightarrow \text{Ø} \leftarrow$ 7.5 – 19 mm Locking levers and gasket	BAS GOT GK 16 M25 50 A0	25	70.372.1635.0	1
with threaded collar	BAS GOT GC 16 M25 50 A1	25	70.352.1635.1	1
with threaded collar Locking levers and gasket	BAS GOT GK 16 M25 50 A1	25	70.372.1635.1	1
with strain relief, IP54	BAS GOT GC 16 M25 50 A3	25	70.352.1635.3	1
with strain relief, IP54 Locking levers and gasket	BAS GOT GK 16 M25 50 A3	25	70.372.1635.3	1
Technical data				
Material	Die cast aluminum alloy			
Surface	silicon-free			
Locking levers	Handle: Polyamide, UL94-V0; stainless steel: V2A			
Gasket for Multipole connectors	NBR			
Degree of protection				
with latched locking levers	IP54			
with appropriate cable glands	IP65			
Temperature range	-40 – +120 °C			
Description	Type	M	Part No.	P.U.
Accessories				
Cable gland IP68, plastic material, gray	Connection range 7 – 16 mm	25	Z5.507.1553.0	10
Cable gland IP68, nickel-plated brass	Connection range 11 – 18 mm	25	Z5.507.1521.0	10
Cable gland IP68, plastic material, gray	Connection range 10 – 21 mm	32	Z5.507.1753.0	10
Cable gland IP68, nickel-plated brass	Connection range 15 – 21 mm	32	Z5.507.1721.0	10
Contact inserts				
See the product matrix			Page 24–25	

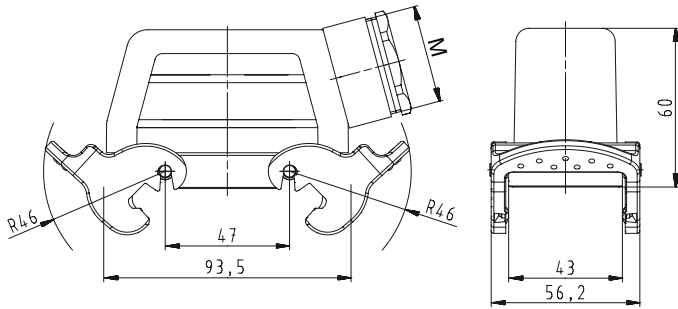
Note:

In 2013 the design of the revos housings will change. Through the use of an integrated insulation strip, voltage ranges of up to 690 V can then be covered. Additionally, a new, flexible marking system will be available to you.

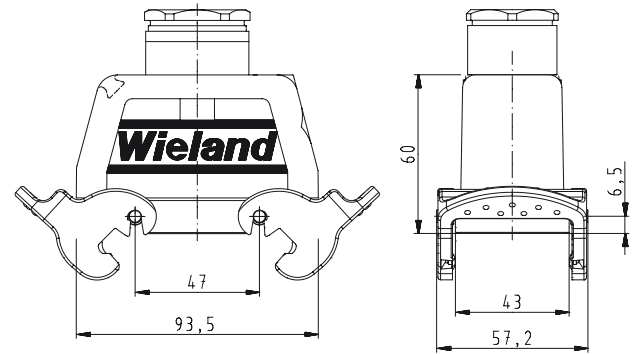
Dimensions

Hoods with Locking levers

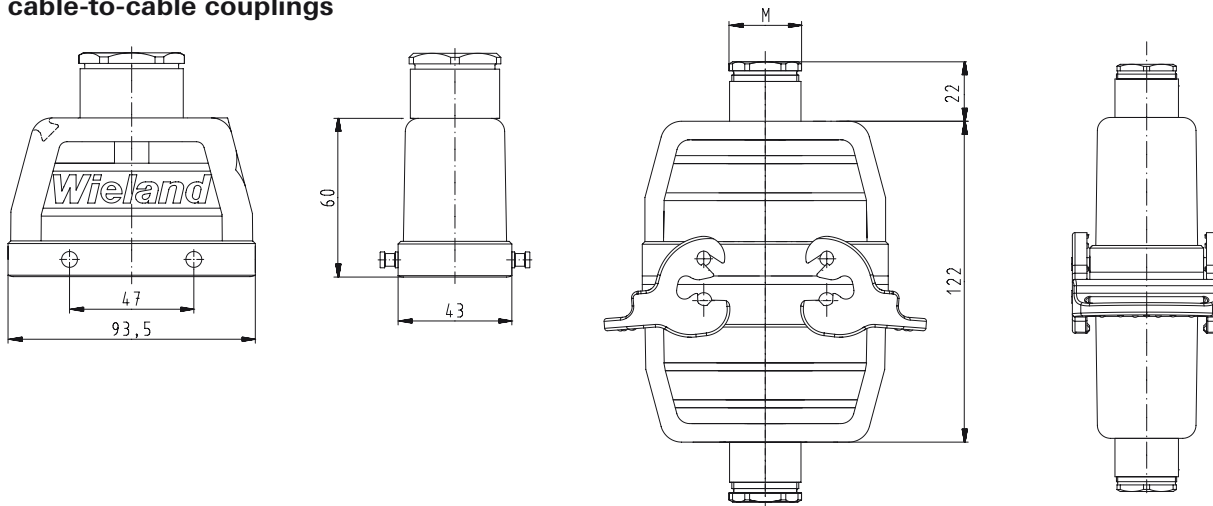
Lateral cable entry



Top cable entry



Multipole connectors for cable-to-cable couplings



500 V Hoods, double locking lever Size 16H, increased height design

500 V Hoods Size 16H, increased height design

Lateral cable entry



Top cable entry

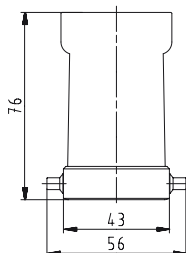
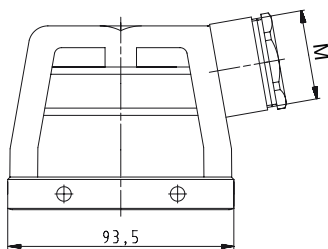


Description	Type	M	Part No.	P.U.
500 V Hoods, size 16H				
Lateral cable entry M25				
with cable gland, IP54, $\rightarrow \text{Ø} \leftarrow$ 7.5 – 19 mm	BAS GOT GA 40H M25 50 A0	25	73.350.4035.0	1
with threaded collar	BAS GOT GA 40H M25 50 A1	25	73.350.4035.1	1
with intermediate support	BAS GOT GA 40H M25 50 A2	25	73.350.4035.2	1
with strain relief, IP54	BAS GOT GA 40H M25 50 A3	25	73.350.4035.3	1
Lateral cable entry M32				
with cable gland, IP54, $\rightarrow \text{Ø} \leftarrow$ 15 – 26.5 mm	BAS GOT GA 40H M32 50 A0	32	73.353.4035.0	1
with threaded collar	BAS GOT GA 40H M32 50 A1	32	73.353.4035.1	1
with intermediate support	BAS GOT GA 40H M32 50 A2	32	73.353.4035.2	1
with strain relief, IP54	BAS GOT GA 40H M32 50 A3	32	73.353.4035.3	1
Lateral cable entry M40				
with cable gland, IP54, $\rightarrow \text{Ø} \leftarrow$ 23 – 32 mm	BAS GOT GA 40H M40 50 A0	40	73.360.4035.0	1
with threaded collar	BAS GOT GA 40H M40 50 A1	40	73.360.4035.1	1
with intermediate support	BAS GOT GA 40H M40 50 A2	40	73.360.4035.2	1
Top cable entry M25				
with cable gland, IP54, $\rightarrow \text{Ø} \leftarrow$ 7.5 – 19 mm	BAS GOT GC 40H M25 50 A0	25	73.352.4035.0	1
with threaded collar	BAS GOT GC 40H M25 50 A1	25	73.352.4035.1	1
with intermediate support	BAS GOT GC 40H M25 50 A2	25	73.352.4035.2	1
with strain relief, IP54	BAS GOT GC 40H M25 50 A3	25	73.352.4035.3	1
Top cable entry M32				
with cable gland, IP54, $\rightarrow \text{Ø} \leftarrow$ 15 – 26.5 mm	BAS GOT GC 40H M32 50 A0	32	73.354.4035.0	1
with threaded collar	BAS GOT GC 40H M32 50 A1	32	73.354.4035.1	1
with intermediate support	BAS GOT GC 40H M32 50 A2	32	73.354.4035.2	1
with strain relief, IP54	BAS GOT GC 40H M32 50 A3	32	73.354.4035.3	1
Top cable entry M40				
with cable gland, IP54, $\rightarrow \text{Ø} \leftarrow$ 23 – 32 mm	BAS GOT GC 40H M40 50 A0	40	73.362.4035.0	1
with threaded collar	BAS GOT GC 40H M40 50 A1	40	73.362.4035.1	1
Technical data				
Material	Die cast aluminum alloy			
Surface	silicon-free			
Locking levers	-			
Gasket	-			
Degree of protection				
with latched locking levers	IP54			
with appropriate cable glands	IP65			
Temperature range	-40 – +120 °C			
Description	Type	M	Part No.	P.U.
Accessories				
Cable gland IP68, plastic material, gray	Connection range 7 – 16 mm	25	Z5.507.1553.0	10
Cable gland IP68, nickel-plated brass	Connection range 11 – 18 mm	25	Z5.507.1521.0	10
Cable gland IP68, plastic material, gray	Connection range 10 – 21 mm	32	Z5.507.1753.0	10
Cable gland IP68, nickel-plated brass	Connection range 15 – 21 mm	32	Z5.507.1721.0	10
Cable gland IP68, plastic material, gray	Connection range 16 – 28 mm	40	Z5.507.1953.0	1
Cable gland IP68, nickel-plated brass	Connection range 19 – 27 mm	40	Z5.507.1921.0	1
Contact inserts				
See the product matrix			Page 24–25	

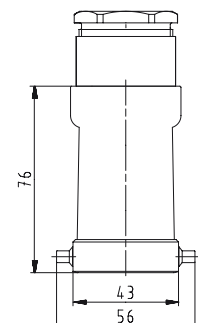
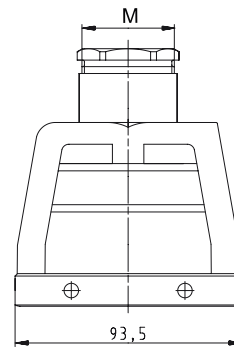
Dimensions

Hoods

Lateral cable entry



Top cable entry



Note:

In 2013 the housing will be equipped with an insulation strip. With this modification, voltage ranges of up to 690 V can be covered.

500 V Hoods, double locking lever with Locking levers, Size 16H, increased height design

500 V Hoods Size 16H, increased height design

Lateral cable entry



Top cable entry

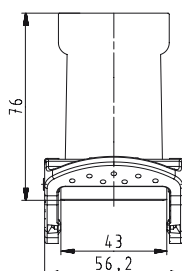
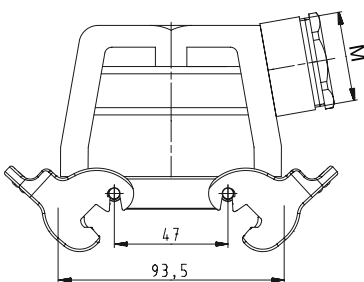


Description	Type	M	Part No.	P.U.
500 V Hoods, size 16H				
Lateral cable entry M25				
with cable gland, IP54, $\rightarrow \text{Ø} \leftarrow$ 7.5 – 19 mm	BAS GOT GD 40H M25 50 A0	25	73.355.4035.0	1
with threaded collar	BAS GOT GD 40H M25 50 A1	25	73.355.4035.1	1
with intermediate support	BAS GOT GD 40H M25 50 A2	25	73.355.4035.2	1
with strain relief, IP54	BAS GOT GD 40H M25 50 A3	25	73.355.4035.3	1
Lateral cable entry M32				
with cable gland, IP54, $\rightarrow \text{Ø} \leftarrow$ 15 – 26.5 mm	BAS GOT GD 40H M32 50 A0	32	73.358.4035.0	1
with threaded collar	BAS GOT GD 40H M32 50 A1	32	73.358.4035.1	1
with intermediate support	BAS GOT GD 40H M32 50 A2	32	73.358.4035.2	1
with strain relief, IP54	BAS GOT GD 40H M32 50 A3	32	73.358.4035.3	1
Top cable entry M25				
with cable gland, IP54, $\rightarrow \text{Ø} \leftarrow$ 7.5 – 19 mm	BAS GOT GF 40H M25 50 A0	25	73.357.4035.0	1
with threaded collar	BAS GOT GF 40H M25 50 A1	25	73.357.4035.1	1
with intermediate support	BAS GOT GF 40H M25 50 A2	25	73.357.4035.2	1
with strain relief, IP54	BAS GOT GF 40H M25 50 A3	25	73.357.4035.3	1
Top cable entry M32				
with cable gland, IP54, $\rightarrow \text{Ø} \leftarrow$ 15 – 26.5 mm	BAS GOT GF 40H M32 50 A0	32	73.359.4035.0	1
with threaded collar	BAS GOT GF 40H M32 50 A1	32	73.359.4035.1	1
with intermediate support	BAS GOT GF 40H M32 50 A2	32	73.359.4035.2	1
with strain relief, IP54	BAS GOT GF 40H M32 50 A3	32	73.359.4035.3	1
Technical data				
Material metal/plastic	Die cast aluminum alloy			
Surface	silicon-free			
Locking levers	Handle: Polyamide, UL94-V0; stainless steel: V2A			
Gasket	-			
Degree of protection				
with latched locking levers	IP54			
with appropriate cable glands	IP65			
Temperature range	-40 – +120 °C			
Description	Type	M	Part No.	P.U.
Accessories				
Cable gland IP68, plastic material, gray	Connection range 7 – 16 mm	25	Z5.507.1553.0	10
Cable gland IP68, nickel-plated brass	Connection range 11 – 18 mm	25	Z5.507.1521.0	10
Cable gland IP68, plastic material, gray	Connection range 10 – 21 mm	32	Z5.507.1753.0	10
Cable gland IP68, nickel-plated brass	Connection range 15 – 21 mm	32	Z5.507.1721.0	10
Contact inserts				
See the product matrix			Page 24–25	

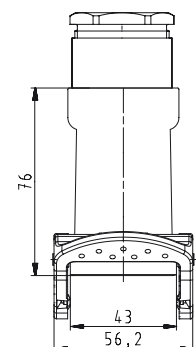
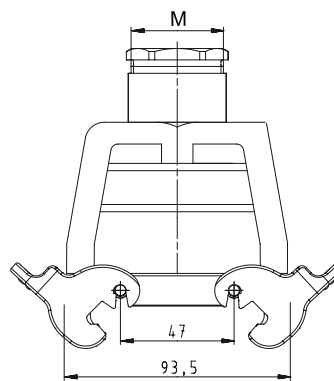
Dimensions

Hoods

Lateral cable entry



Top cable entry



Note:

In 2013 the housing will be equipped with an insulation strip. With this modification, voltage ranges of up to 690 V can be covered.

500 V Bases, double locking lever Size 16

500 V Bases, Size 16



open

without cover
with cover



closed

1 cable gland, seitlich

without cover
with cover



closed

1 cable gland, bottom

without cover
with cover



Description	Type	M	Part No.	P.U.
500 V Bases, size 16				
Open-bottom base				
without cover	BAS GUT GA 16 50 A		70.320.1628.0	1
with cover	BAS GUT GE 16 50 A		70.325.1628.0	1
Closed-bottom base				
2 cable glands, 2 x M25				
without cover				
with cable gland, IP54, $\rightarrow \text{Ø} \leftarrow$ 7.5 – 19 mm	BAS GUT GB 16 M25 50 A0	25	70.330.1635.0	1
with threaded collar	BAS GUT GB 16 M25 50 A1	25	70.330.1635.1	1
with cover				
with cable gland, IP54, $\rightarrow \text{Ø} \leftarrow$ 7.5 – 19 mm	BAS GUT GF 16 M25 50 A0	25	70.340.1635.0	1
with threaded collar	BAS GUT GF 16 M25 50 A1	25	70.340.1635.1	1
1 cable gland, left, 1 x M25				
without cover				
with cable gland, IP54, $\rightarrow \text{Ø} \leftarrow$ 7.5 – 19 mm	BAS GUT GC 16 M25 50 A0	25	70.331.1635.0	1
with threaded collar	BAS GUT GC 16 M25 50 A1	25	70.331.1635.1	1
with cover				
with cable gland, IP54, $\rightarrow \text{Ø} \leftarrow$ 7.5 – 19 mm	BAS GUT GG 16 M25 50 A0	25	70.341.1635.0	1
with threaded collar	BAS GUT GG 16 M25 50 A1	25	70.341.1635.1	1
1 cable gland, right, 1 x M25				
with cover				
with cable gland, IP54, $\rightarrow \text{Ø} \leftarrow$ 7.5 – 19 mm	BAS GUT GH 16 M25 50 A0	25	70.342.1635.0	1
with threaded collar	BAS GUT GH 16 M25 50 A1	25	70.342.1635.1	1
1 cable gland, bottom, 1 x M25				
without cover				
with cable gland, IP54, $\rightarrow \text{Ø} \leftarrow$ 7.5 – 19 mm	BAS GUT GD 16 M25 50 A0	25	70.333.1635.0	1
with threaded collar	BAS GUT GD 16 M25 50 A1	25	70.333.1635.1	1
with cover				
with cable gland, IP54, $\rightarrow \text{Ø} \leftarrow$ 7.5 – 19 mm	BAS GUT GI 16 M25 50 A0	25	70.343.1635.0	1
with threaded collar	BAS GUT GI 16 M25 50 A1	25	70.343.1635.1	1

Technical data

Material	Die cast aluminum alloy
Surface	silicon-free
Locking levers	Handle: Polyamide, UL94-V0; stainless steel: V2A
Gasket	NBR
Degree of protection	
with latched locking levers	IP54
with appropriate cable glands	IP65
Temperature range	-40 – +120 °C

Description	Type	M	Part No.	P.U.
Accessories				
Cable gland IP68, plastic material, gray	Connection range 7 – 16 mm	25	Z5.507.1553.0	10
Cable gland IP68, nickel-plated brass	Connection range 11 – 18 mm	25	Z5.507.1521.0	10
Contact inserts				
See the product matrix				Page 24–25

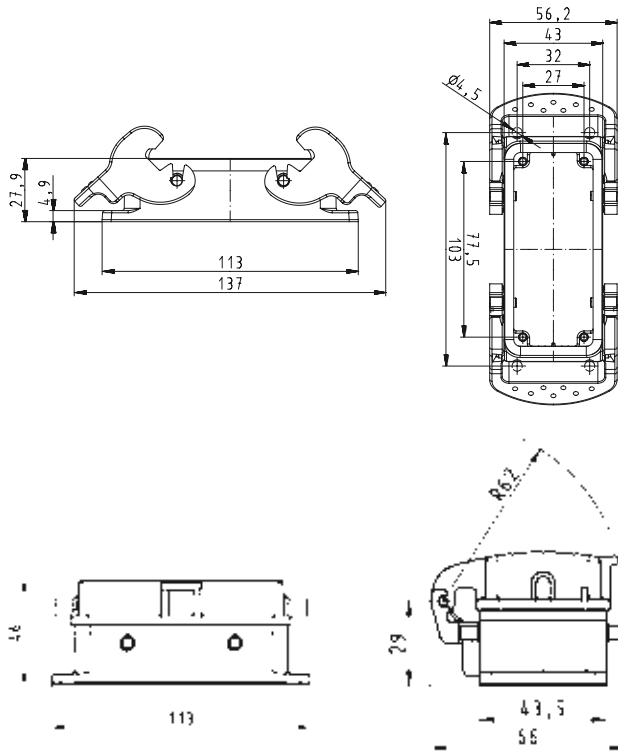
Note:

In 2013 the design of the revos housings will change. Through the use of an integrated insulation strip, voltage ranges of up to 690 V can then be covered. Additionally, a new, flexible marking system will be available to you.

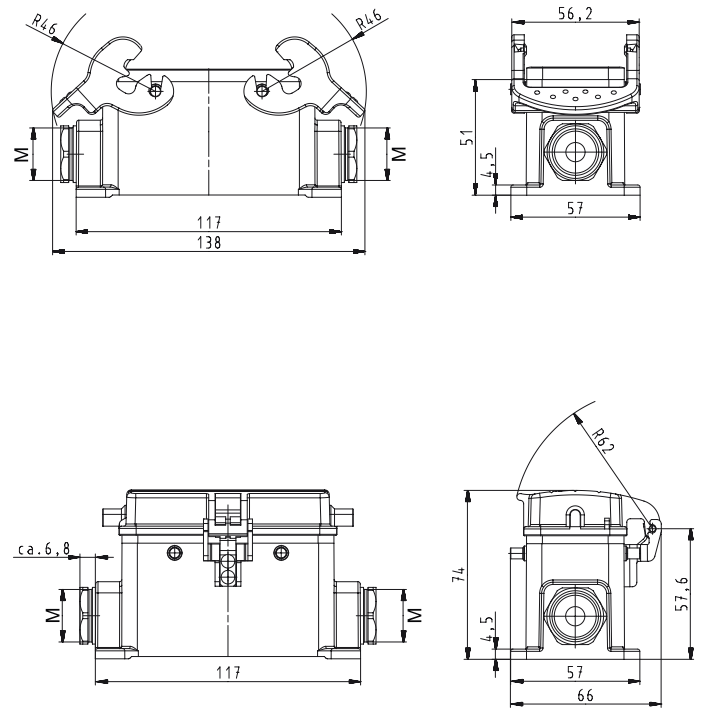
Dimensions

Bases

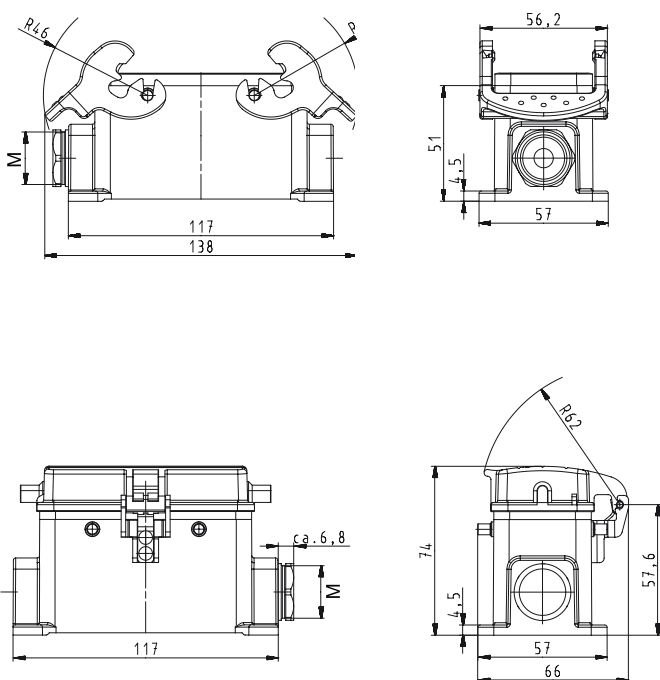
open



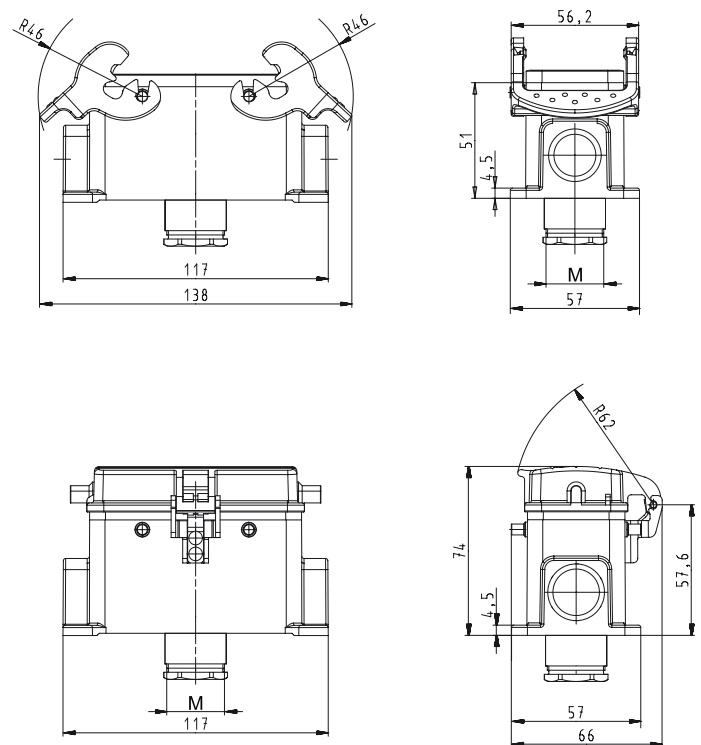
closed, 2 cable glands



closed, 1 cable gland



closed, 1 cable gland, bottom



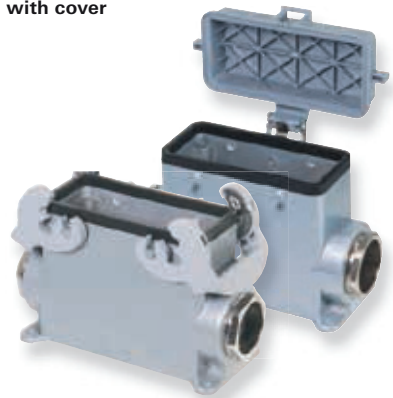
500 V Bases, double locking lever Size 16H, increased height design

500 V Bases Size 16H, increased height design

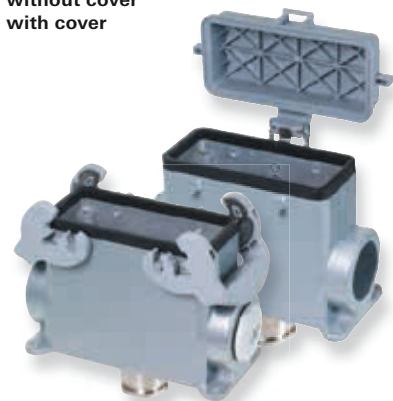
**closed M25
2 cable glands
without cover
with cover**



**closed M32
2 cable glands
without cover
with cover**



**closed M25
1 cable gland, bottom
without cover
with cover**



Description	Type	M	Part No.	P.U.
500 V Bases, size 16H	Aluminum housing			
Closed-bottom base				
2 cable glands, 2 x M25				
without cover				
with cable gland, IP54, $\rightarrow \varnothing \leftarrow$ 7.5 – 19 mm	BAS GUT GB 40H M25 50 A0	25	73.330.4035.0	1
with threaded collar	BAS GUT GB 40H M25 50 A1	25	73.330.4035.1	1
with cover				
with cable gland, IP54, $\rightarrow \varnothing \leftarrow$ 7.5 – 19 mm	BAS GUT GF 40H M25 50 A0	25	73.340.4035.0	1
with threaded collar	BAS GUT GF 40H M25 50 A1	25	73.340.4035.1	1
2 cable glands, 2 x M32				
without cover				
with cable gland, IP54, $\rightarrow \varnothing \leftarrow$ 15 – 26.5 mm	BAS GUT GB 40H M32 50 A0	32	73.334.4035.0	1
with threaded collar	BAS GUT GB 40H M32 50 A1	32	73.334.4035.1	1
with cover				
with cable gland, IP54, $\rightarrow \varnothing \leftarrow$ 15 – 26.5 mm	BAS GUT GF 40H M32 50 A0	32	73.344.4035.0	1
with threaded collar	BAS GUT GF 40H M32 50 A1	32	73.344.4035.1	1
2 cable glands, 2 x M40				
without cover				
with threaded collar	BAS GUT GB 16H M40 50 A1	40	73.338.4035.1	1
1 cable gland, left, 1 x M25				
without cover				
with cable gland, IP54, $\rightarrow \varnothing \leftarrow$ 7.5 – 19 mm	BAS GUT GC 40H M25 50 A0	25	73.331.4035.0	1
with threaded collar	BAS GUT GC 40H M25 50 A1	25	73.331.4035.1	1
with cover				
with cable gland, IP54, $\rightarrow \varnothing \leftarrow$ 7.5 – 19 mm	BAS GUT GG 40H M25 50 A0	25	73.341.4035.0	1
with threaded collar	BAS GUT GG 40H M25 50 A1	25	73.341.4035.1	1
1 cable gland, left, 1 x M32				
without cover				
with cable gland, IP54, $\rightarrow \varnothing \leftarrow$ 15 – 26.5 mm	BAS GUT GC 40H M32 50 A0	32	73.335.4035.0	1
with threaded collar	BAS GUT GC 40H M32 50 A1	32	73.335.4035.1	1
with cover				
with cable gland, IP54, $\rightarrow \varnothing \leftarrow$ 15 – 26.5 mm	BAS GUT GG 40H M32 50 A0	32	73.345.4035.0	1
with threaded collar	BAS GUT GG 40H M32 50 A1	32	73.345.4035.1	1
1 cable gland, left, 1 x M40				
without cover				
with cable gland, IP54, $\rightarrow \varnothing \leftarrow$ 19 – 27 mm	BAS GUT GC 16H M40 50 A0	40	73.339.4035.0	1
with threaded collar	BAS GUT GC 16H M40 50 A1	40	73.340.4035.1	1
1 cable gland, right, 1 x M25				
with cover				
with cable gland, IP54, $\rightarrow \varnothing \leftarrow$ 7.5 – 19 mm	BAS GUT GH 40H M25 50 A0	25	73.342.4035.0	1
with threaded collar	BAS GUT GH 40H M25 50 A1	25	73.342.4035.1	1
1 cable gland, right, 1 x M32				
with cover				
with cable gland, IP54, $\rightarrow \varnothing \leftarrow$ 15 – 26.5 mm	BAS GUT GH 40H M32 50 A0	32	73.346.4035.0	1
with threaded collar	BAS GUT GH 40H M32 50 A1	32	73.346.4035.1	1
1 cable gland, bottom, 1 x M25				
without cover				
with cable gland, IP54, $\rightarrow \varnothing \leftarrow$ 7.5 – 19 mm	BAS GUT GD 40H M25 50 A0	25	73.333.4035.0	1
with threaded collar	BAS GUT GD 40H M25 50 A1	25	73.333.4035.1	1
with cover				
with cable gland, IP54, $\rightarrow \varnothing \leftarrow$ 7.5 – 19 mm	BAS GUT GI 40H M25 50 A0	25	73.343.4035.0	1
with threaded collar	BAS GUT GI 40H M25 50 A1	25	73.343.4035.1	1
1 cable gland, bottom, 1 x M32				
without cover				
with cable gland, IP54, $\rightarrow \varnothing \leftarrow$ 15 – 26.5 mm	BAS GUT GD 40H M32 50 A0	32	73.337.4035.0	1
with threaded collar	BAS GUT GD 40H M32 50 A1	32	73.337.4035.1	1
with cover				
with cable gland, IP54, $\rightarrow \varnothing \leftarrow$ 15 – 26.5 mm	BAS GUT GI 40H M32 50 A0	32	73.347.4035.0	1
with threaded collar	BAS GUT GI 40H M32 50 A1	32	73.347.4035.1	1

Technical data

Material	Die cast aluminum alloy
Surface	silicon-free
Locking levers	Handle: Polyamide, UL94-V0; stainless steel: V2A
Gasket	NBR
Degree of protection	
with latched locking levers	IP54
with appropriate cable glands	IP65
Temperature range	-40 – +120 °C

All Bases on this page are also available in M40 design.
Part numbers available on request.

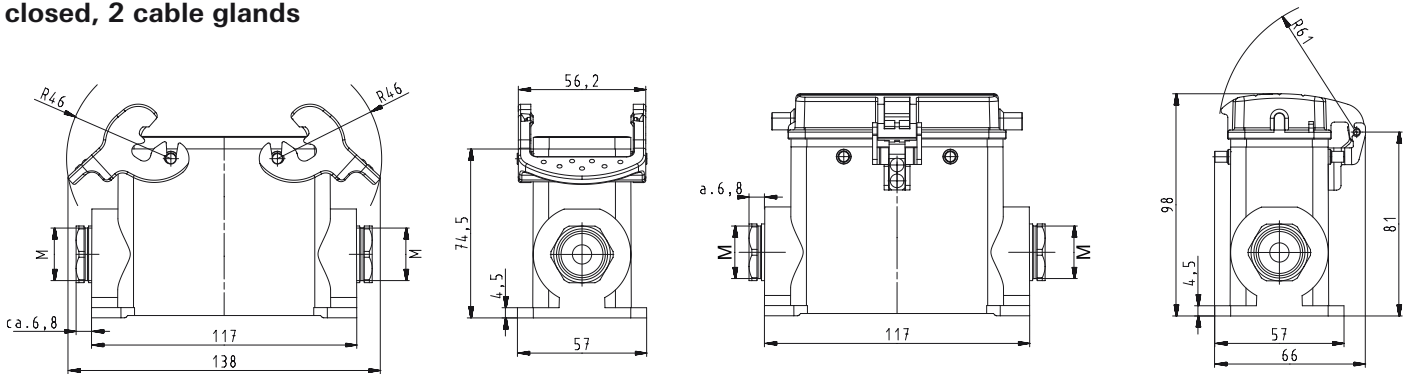
Note: In 2013 the housing will be equipped with an insulation strip. With this modification, voltage ranges of up to 690 V can be covered.

Accessories, Dimensions

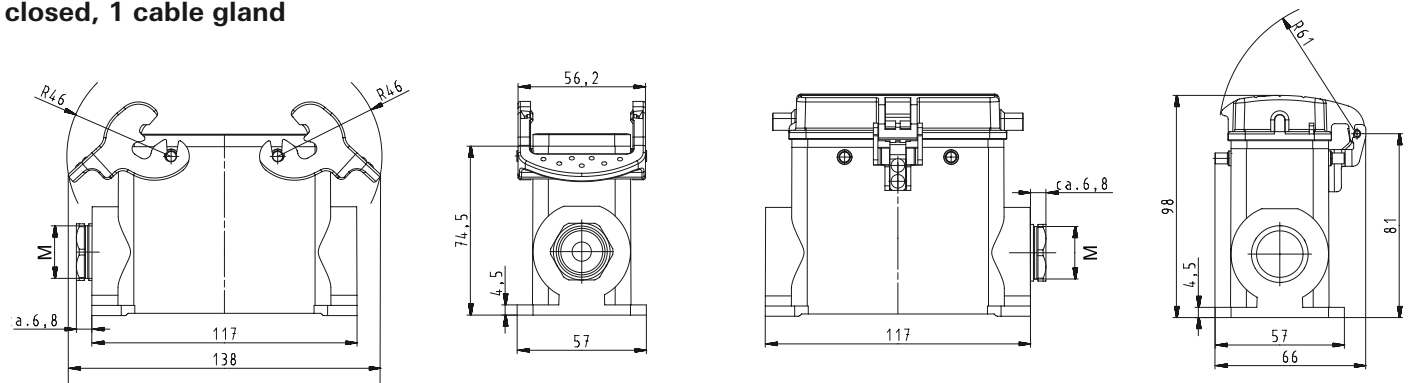
Description	Type	M	Part No.	P.U.
Accessories				
Cable gland IP68, plastic material, gray	Connection range 7 – 16 mm	25	Z5.507.1553.0	10
Cable gland IP68, nickel-plated brass	Connection range 11 – 18 mm	25	Z5.507.1521.0	10
Cable gland IP68, plastic material, gray	Connection range 10 – 21 mm	32	Z5.507.1753.0	10
Cable gland IP68, nickel-plated brass	Connection range 15 – 21 mm	32	Z5.507.1721.0	10
Cable gland IP68, plastic material, gray	Connection range 16 – 28 mm	40	Z5.507.1953.0	10
Cable gland IP68, nickel-plated brass	Connection range 19 – 27 mm	40	Z5.507.1921.0	10
Contact inserts				
See the product matrix				Page 24–25

Bases

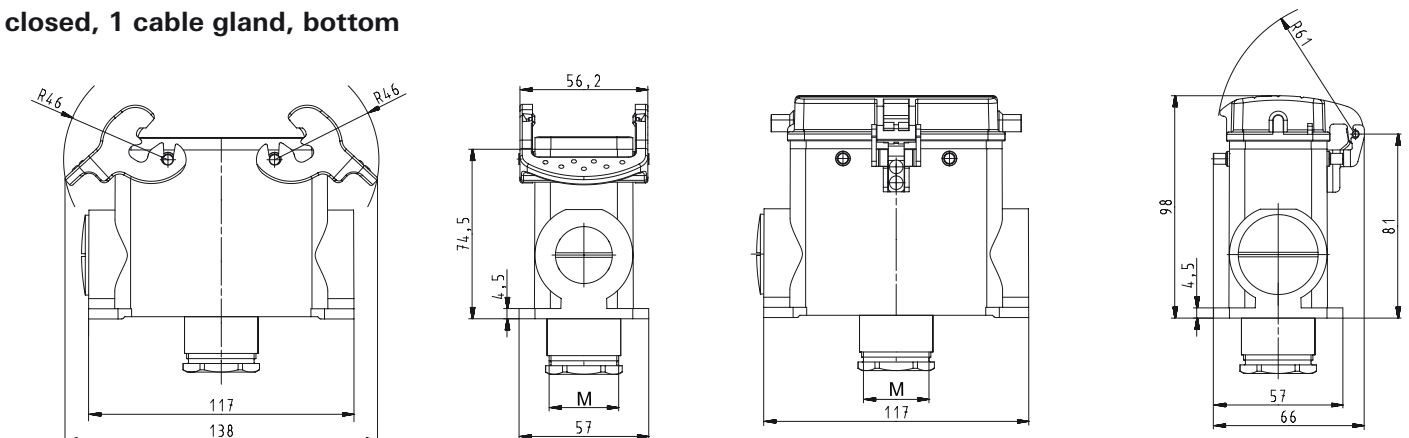
closed, 2 cable glands



closed, 1 cable gland



closed, 1 cable gland, bottom



500 V Hoods, single locking lever Size 24

500 V Hoods Size 24



Lateral cable entry



Top cable entry



Multipole connectors for cable-to-cable couplings



Description	Type	M	Part No.	P.U.
500 V Hoods, size 24				
Lateral cable entry M25				
with cable gland, IP54, $\rightarrow \text{Ø} \leftarrow$ 7.5 – 19 mm	BAS GOT GG 24 M25 50 A0	25	71.350.2435.0	1
with threaded collar	BAS GOT GG 24 M25 50 A1	25	71.350.2435.1	1
with intermediate support	BAS GOT GG 24 M25 50 A2	25	71.350.2435.2	1
with strain relief, IP54	BAS GOT GG 24 M25 50 A3	25	71.350.2435.3	1
Lateral cable entry M32				
with cable gland, IP54, $\rightarrow \text{Ø} \leftarrow$ 15 – 26.5 mm	BAS GOT GG 24 M32 50 A0	32	71.353.2435.0	1
with threaded collar	BAS GOT GG 24 M32 50 A1	32	71.353.2435.1	1
with intermediate support	BAS GOT GG 24 M32 50 A2	32	71.353.2435.2	1
with strain relief, IP54	BAS GOT GG 24 M32 50 A3	32	71.353.2435.3	1
Top cable entry M25				
with cable gland, IP54, $\rightarrow \text{Ø} \leftarrow$ 7.5 – 19 mm	BAS GOT GI 24 M25 50 A0	25	71.352.2435.0	1
with threaded collar	BAS GOT GI 24 M25 50 A1	25	71.352.2435.1	1
with intermediate support	BAS GOT GI 24 M25 50 A2	25	71.352.2435.2	1
with strain relief, IP54	BAS GOT GI 24 M25 50 A3	25	71.352.2435.3	1
Top cable entry M32				
with cable gland, IP54, $\rightarrow \text{Ø} \leftarrow$ 15 – 26.5 mm	BAS GOT GI 24 M32 50 A0	32	71.354.2435.0	1
with threaded collar	BAS GOT GI 24 M32 50 A1	32	71.354.2435.1	1
with intermediate support	BAS GOT GI 24 M32 50 A2	32	71.354.2435.2	1
with strain relief, IP54	BAS GOT GI 24 M32 50 A3	32	71.354.2435.3	1
Multipole connectors for cable-to-cable couplings M25				
with cable gland, IP54, $\rightarrow \text{Ø} \leftarrow$ 7.5 – 19 mm	BAS GOT GI 24 M25 50 A0	25	71.352.2435.0	1
with cable gland, IP54, $\rightarrow \text{Ø} \leftarrow$ 7.5 – 19 mm Locking levers and gasket	BAS GOT GL 24 M25 50 A0	25	71.372.2435.0	1
with threaded collar	BAS GOT GI 24 M25 50 A1	25	71.352.2435.1	1
with threaded collar Locking levers and gasket	BAS GOT GL 24 M25 50 A1	25	71.372.2435.1	1
Multipole connectors for cable-to-cable couplings M32				
with cable gland, IP54, $\rightarrow \text{Ø} \leftarrow$ 15 – 26.5 mm	BAS GOT GI 24 M32 50 A0	32	71.354.2435.0	1
with cable gland, IP54, $\rightarrow \text{Ø} \leftarrow$ 15 – 26.5 mm Locking levers and gasket	BAS GOT GL 24 M32 50 A0	32	71.374.2435.0	1
Technical data				
Material	Die cast aluminum alloy			
Surface	silicon-free			
Locking levers at Multipole connectors	Handle: Polyamide, UL94-V0; stainless steel: V2A			
Gasket at Multipole connectors	NBR			
Degree of protection				
with latched locking levers	IP54			
with appropriate cable glands	IP65			
Temperature range	-40 – +120 °C			
Description	Type	M	Part No.	P.U.
Accessories				
Cable gland IP68, plastic material, gray	Connection range 7 – 16 mm	25	Z5.507.1553.0	10
Cable gland IP68, nickel-plated brass	Connection range 11 – 18 mm	25	Z5.507.1521.0	10
Cable gland IP68, plastic material, gray	Connection range 10 – 21 mm	32	Z5.507.1753.0	10
Cable gland IP68, nickel-plated brass	Connection range 15 – 21 mm	32	Z5.507.1721.0	10
Contact inserts				
See the product matrix				Page 24–25

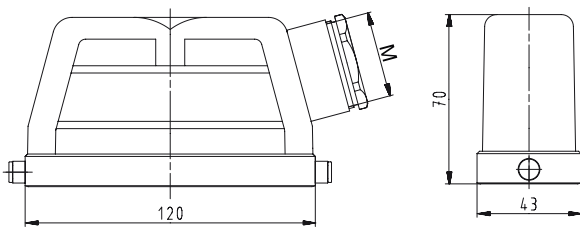
Note:

In 2013 the design of the revos housings will change. Through the use of an integrated insulation strip, voltage ranges of up to 690 V can then be covered. Additionally, a new, flexible marking system will be available to you.

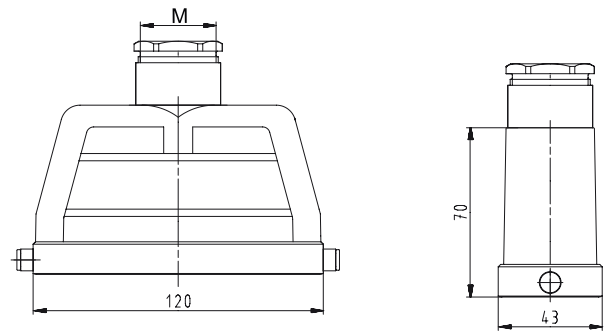
Dimensions

Hoods

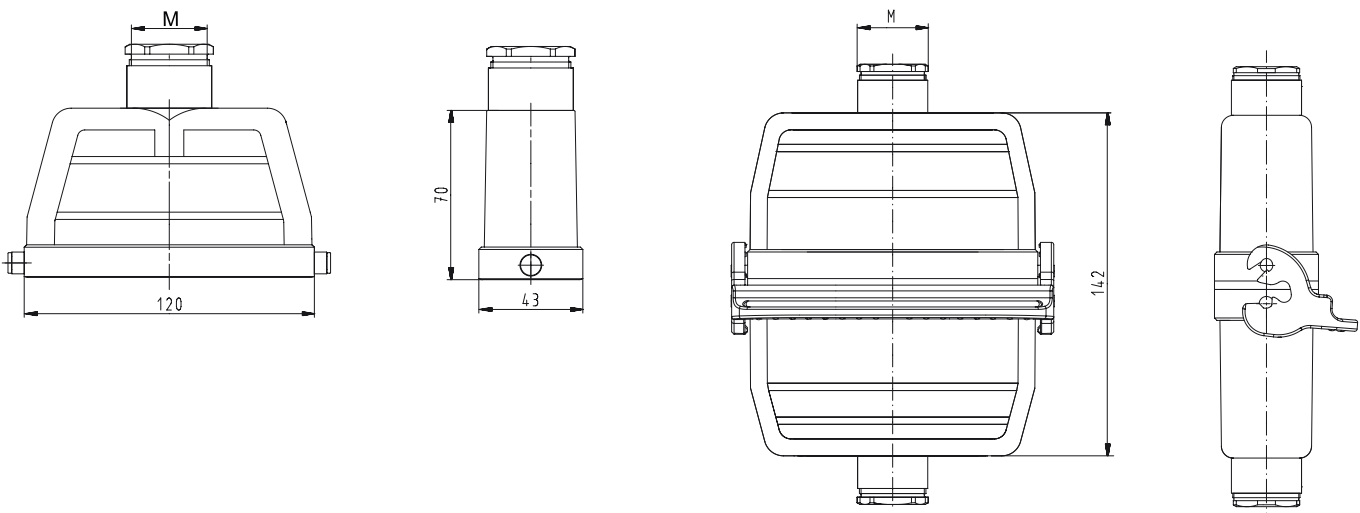
Lateral cable entry



Top cable entry



Multipole connectors for cable-to-cable couplings



500 V Hoods, single locking lever Size 24H, increased height design

500 V Hoods Size 24H, increased height design

Lateral cable entry



Top cable entry



Description	Type	M	Part No.	P.U.
500 V Hoods, size 24H				
Lateral cable entry M25				
with cable gland, IP54, $\rightarrow \varnothing $ 7.5 – 19 mm	BAS GOT GG 64H M25 50 A0	25	76.350.6435.0	1
with threaded collar	BAS GOT GG 64H M25 50 A1	25	76.350.6435.1	1
with intermediate support	BAS GOT GG 64H M25 50 A2	25	76.350.6435.2	1
with strain relief, IP54	BAS GOT GG 64H M25 50 A3	25	76.350.6435.3	1
Lateral cable entry M32				
with cable gland, IP54, $\rightarrow \varnothing $ 15 – 26.5 mm	BAS GOT GG 64H M32 50 A0	32	76.353.6435.0	1
with threaded collar	BAS GOT GG 64H M32 50 A1	32	76.353.6435.1	1
with intermediate support	BAS GOT GG 64H M32 50 A2	32	76.353.6435.2	1
with strain relief, IP54	BAS GOT GG 64H M32 50 A3	32	76.353.6435.3	1
Lateral cable entry M40				
with threaded collar	BAS GOT GG 64H M40 50 A1	40	76.360.6435.1	1
Top cable entry M25				
with cable gland, IP54, $\rightarrow \varnothing $ 7.5 – 19 mm	BAS GOT GI 64H M25 50 A0	25	76.352.6435.0	1
with threaded collar	BAS GOT GI 64H M25 50 A1	25	76.352.6435.1	1
with intermediate support	BAS GOT GI 64H M25 50 A2	25	76.352.6435.2	1
with strain relief, IP54	BAS GOT GI 64H M25 50 A3	25	76.352.6435.3	1
Top cable entry M32				
with cable gland, IP54, $\rightarrow \varnothing $ 15 – 26.5 mm	BAS GOT GI 64H M32 50 A0	32	76.354.6435.0	1
with threaded collar	BAS GOT GI 64H M32 50 A1	32	76.354.6435.1	1
with intermediate support	BAS GOT GI 64H M32 50 A2	32	76.354.6435.2	1
with strain relief, IP54	BAS GOT GI 64H M32 50 A3	32	76.354.6435.3	1
Top cable entry M40				
with threaded collar	BAS GOT GI 64H M40 50 A1	40	76.362.6435.1	1
Technical data				
Material metal/plastic	Die cast aluminum alloy			
Surface	silicon-free			
Locking levers	-			
Gasket	-			
Degree of protection				
with latched locking levers	IP54			
with appropriate cable glands	IP65			
Temperature range	-40 – +120 °C			
Description	Type	M	Part No.	P.U.
Accessories				
Cable gland IP68, plastic material, gray	Connection range 7 – 16 mm	25	Z5.507.1553.0	10
Cable gland IP68, nickel-plated brass	Connection range 11 – 18 mm	25	Z5.507.1521.0	10
Cable gland IP68, plastic material, gray	Connection range 10 – 21 mm	32	Z5.507.1753.0	10
Cable gland IP68, nickel-plated brass	Connection range 15 – 21 mm	32	Z5.507.1721.0	10
Cable gland IP68, plastic material, gray	Connection range 16 – 28 mm	40	Z5.507.1953.0	1
Cable gland IP68, nickel-plated brass	Connection range 19 – 27 mm	40	Z5.507.1921.0	1
Contact inserts				
See the product matrix			Page 24–25	

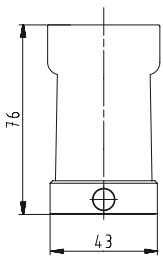
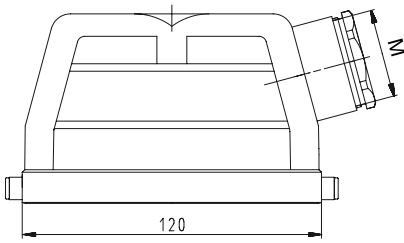
Note:

In 2013 the housing will be equipped with an insulation strip. With this modification, voltage ranges of up to 690 V can be covered.

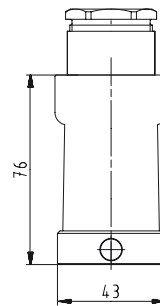
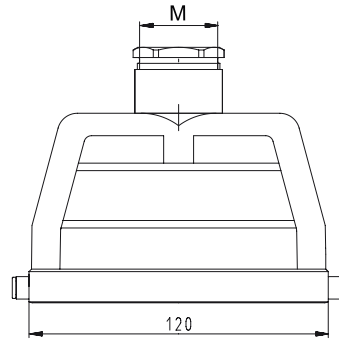
Dimensions

Hoods

Lateral cable entry



Top cable entry



500 V Bases, single locking lever Size 24

500 V Bases, Size 24



open

without cover
with cover



closed

1 cable gland, lateral
cable entry

without cover
with cover



closed

1 cable gland, bottom

without cover
with cover



Description	Type	M	Part No.	P.U.
500 V Bases, size 24				
Open-bottom base				
without cover	BAS GUT GK 24 50 A		71.320.2428.0	1
with cover	BAS GUT GP 24 50 A		71.325.2428.0	1
Closed-bottom base				
2 cable glands, 2 x M25				
without cover				
with cable gland, IP54, $\rightarrow \text{Ø} \leftarrow$ 7.5– 19 mm	BAS GUT GL 24 M25 50 A0	25	71.330.2435.0	1
with threaded collar	BAS GUT GL 24 M25 50 A1	25	71.330.2435.1	1
with cover				
with cable gland, IP54, $\rightarrow \text{Ø} \leftarrow$ 7.5– 19 mm	BAS GUT GR 24 M25 50 A0	25	71.340.2435.0	1
with threaded collar	BAS GUT GR 24 M25 50 A1	25	71.340.2435.1	1
1 cable gland, left, 1 x M25				
without cover				
with cable gland, IP54, $\rightarrow \text{Ø} \leftarrow$ 7.5– 19 mm	BAS GUT GM 24 M25 50 A0	25	71.331.2435.0	1
with threaded collar	BAS GUT GM 24 M25 50 A1	25	71.331.2435.1	1
with cover				
with cable gland, IP54, $\rightarrow \text{Ø} \leftarrow$ 7.5– 19 mm	BAS GUT GS 24 M25 50 A0	25	71.341.2435.0	1
with threaded collar	BAS GUT GS 24 M25 50 A1	25	71.341.2435.1	1
1 cable gland, right, 1 x M25				
with cover				
with cable gland, IP54, $\rightarrow \text{Ø} \leftarrow$ 7.5– 19 mm	BAS GUT GT 24 M25 50 A0	25	71.342.2435.0	1
with threaded collar	BAS GUT GT 24 M25 50 A1	25	71.342.2435.1	1
1 cable gland, bottom, 1 x M25				
without cover				
with cable gland, IP54, $\rightarrow \text{Ø} \leftarrow$ 7.5– 19 mm	BAS GUT GO 24 M25 50 A0	25	71.333.2435.0	1
with threaded collar	BAS GUT GO 24 M25 50 A1	25	71.333.2435.1	1
with cover				
with cable gland, IP54, $\rightarrow \text{Ø} \leftarrow$ 7.5– 19 mm	BAS GUT GU 24 M25 50 A0	25	71.343.2435.0	1
with threaded collar	BAS GUT GU 24 M25 50 A1	25	71.343.2435.1	1

Technical data

Material	Die cast aluminum alloy
Surface	silicon-free
Locking levers	Handle: Polyamide, UL94-V0; stainless steel: V2A
Gasket	NBR
Degree of protection	
with latched locking levers	IP54
with appropriate cable glands	IP65
Temperature range	-40 – +120 °C

Description	Type	M	Part No.	P.U.
Accessories				
Cable gland IP68, plastic material, gray	Connection range 7 – 16 mm	25	Z5.507.1553.0	10
Cable gland IP68, nickel-plated brass	Connection range 11 – 18 mm	25	Z5.507.1521.0	10
Contact inserts				
See the product matrix				Page 24–25

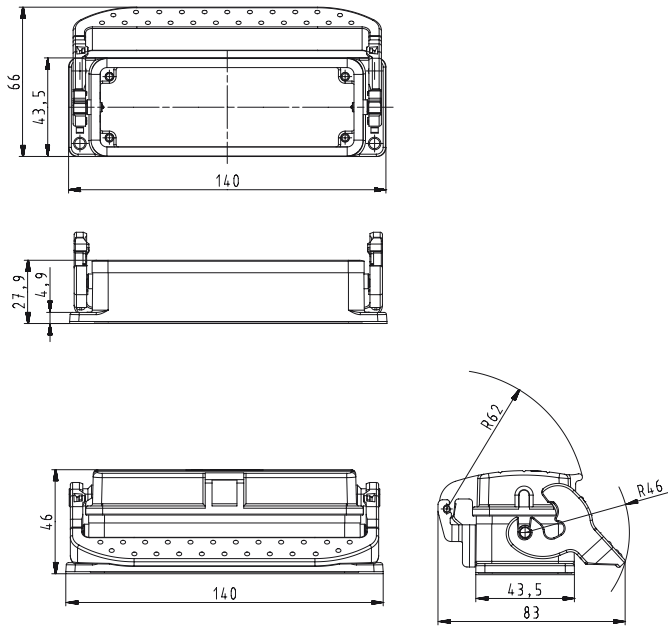
Note:

In 2013 the housing will be equipped with an insulation strip.
With this modification, voltage ranges of up to 690 V can be covered.

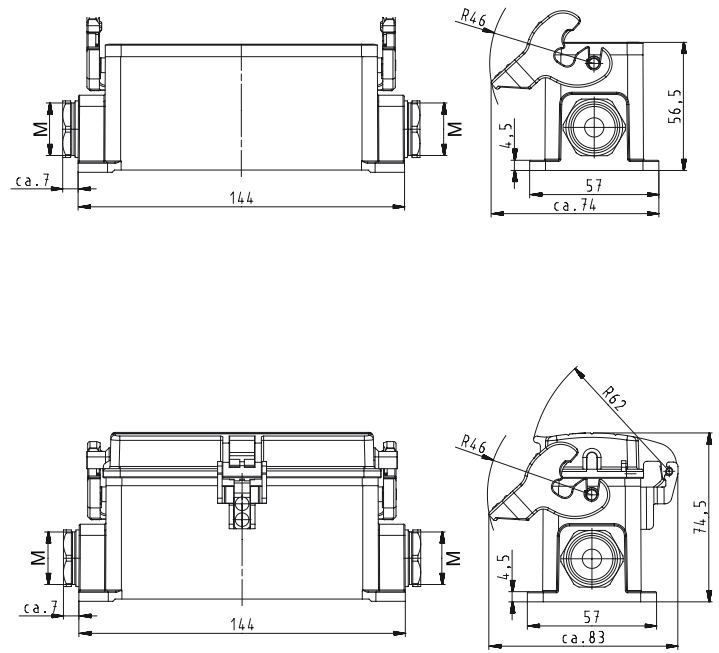
Dimensions

Bases

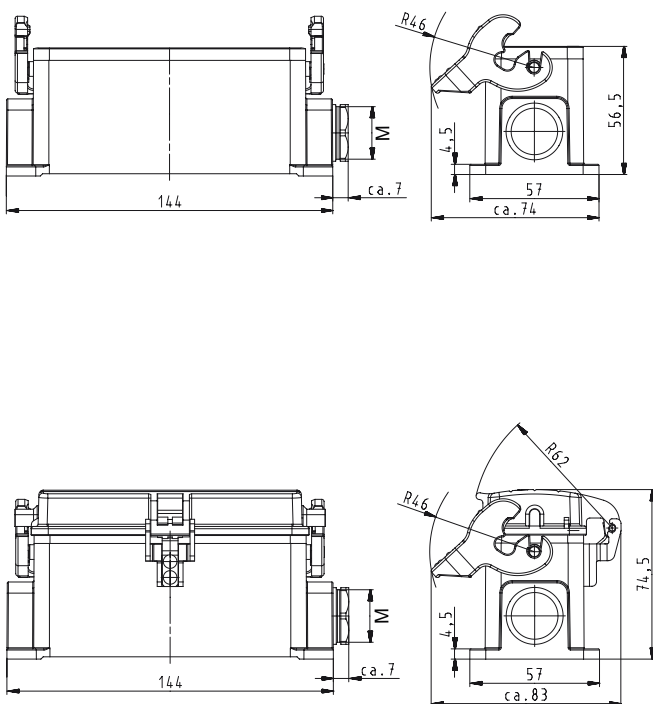
open



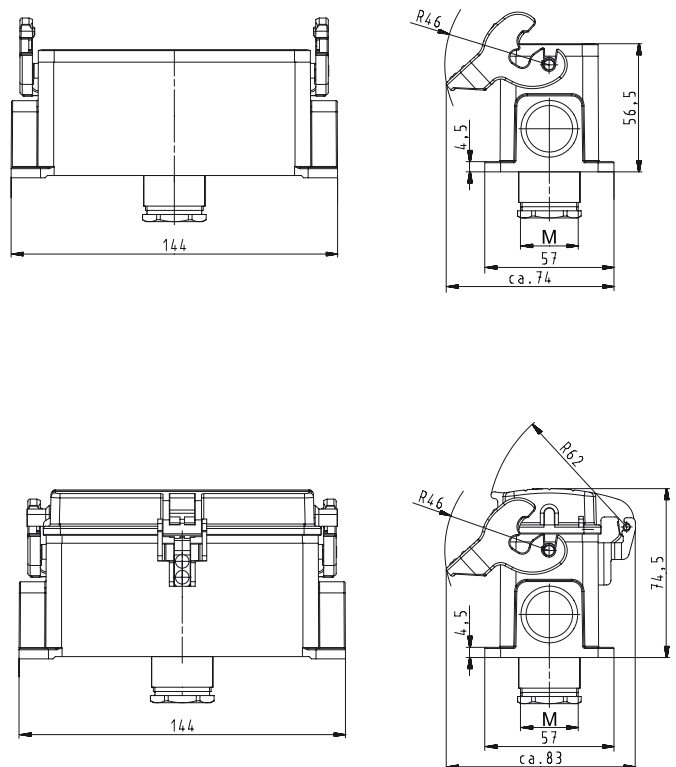
closed, 2 cable glands



closed, 1 cable gland, lateral cable entry



closed, 1 cable gland, bottom



500 V Bases, single locking lever Size 24H, increased height design

500 V Bases Size 24H, increased height design

closed M25 2 cable glands without cover with cover



closed M32 2 cable glands without cover with cover



closed M25 1 cable gland, bottom without cover



Description	Type	M	Part No.	P.U.
500 V Bases, size 24H	Aluminum housing			
Closed-bottom base				
2 cable glands, 2 x M25				
without cover				
with cable gland, IP54, $\rightarrow \text{Ø} \leftarrow$ 7.5 – 19 mm	BAS GUT GL 64H M25 50 A0	25	76.330.6435.0	1
with threaded collar	BAS GUT GL 64H M25 50 A1	25	76.330.6435.1	1
with cover				
with cable gland, IP54, $\rightarrow \text{Ø} \leftarrow$ 7.5 – 19 mm	BAS GUT GR 64H M25 50 A0	25	76.340.6435.0	1
with threaded collar	BAS GUT GR 64H M25 50 A1	25	76.340.6435.1	1
2 cable glands, 2 x M32				
without cover				
with cable gland, IP54, $\rightarrow \text{Ø} \leftarrow$ 15 – 26.5 mm	BAS GUT GL 64H M32 50 A0	32	76.334.6435.0	1
with threaded collar	BAS GUT GL 64H M32 50 A1	32	76.334.6435.1	1
with cover				
with cable gland, IP54, $\rightarrow \text{Ø} \leftarrow$ 15 – 26.5 mm	BAS GUT GR 64H M32 50 A0	32	76.344.6435.0	1
with threaded collar	BAS GUT GR 64H M32 50 A1	32	76.344.6435.1	1
2 cable glands, 2 x M40				
without cover				
with threaded collar	BAS GUT GL 64H M40 50 A1	40	76.338.6435.0	1
1 cable gland, left, 1 x M25				
without cover				
with cable gland, IP54, $\rightarrow \text{Ø} \leftarrow$ 7.5 – 19 mm	BAS GUT GM 64H M25 50 A0	25	76.331.6435.0	1
with threaded collar	BAS GUT GM 64H M25 50 A1	25	76.331.6435.1	1
with cover				
with cable gland, IP54, $\rightarrow \text{Ø} \leftarrow$ 7.5 – 19 mm	BAS GUT GS 64H M25 50 A0	25	76.341.6435.0	1
with threaded collar	BAS GUT GS 64H M25 50 A1	25	76.341.6435.1	1
1 cable gland, left, 1 x M32				
without cover				
with cable gland, IP54, $\rightarrow \text{Ø} \leftarrow$ 15 – 26.5 mm	BAS GUT GM 64H M32 50 A0	32	76.335.6435.0	1
with threaded collar	BAS GUT GM 64H M32 50 A1	32	76.335.6435.1	1
with cover				
with cable gland, IP54, $\rightarrow \text{Ø} \leftarrow$ 15 – 26.5 mm	BAS GUT GS 64H M32 50 A0	32	76.345.6435.0	1
with threaded collar	BAS GUT GS 64H M32 50 A1	32	76.345.6435.1	1
1 cable gland, left, 1 x M40				
without cover				
with threaded collar	BAS GUT GM 64H M40 50 A0	40	76.339.6435.0	1
1 cable gland, right, 1 x M25				
with cover				
with cable gland, IP54, $\rightarrow \text{Ø} \leftarrow$ 7.5 – 19 mm	BAS GUT GT 64H M25 50 A0	25	76.342.6435.0	1
with threaded collar	BAS GUT GT 64H M25 50 A1	25	76.342.6435.1	1
1 cable gland, right, 1 x M32				
with cover				
with cable gland, IP54, $\rightarrow \text{Ø} \leftarrow$ 15 – 26.5 mm	BAS GUT GT 64H M32 50 A0	32	76.346.6435.0	1
with threaded collar	BAS GUT GT 64H M32 50 A1	32	76.346.6435.1	1
1 cable gland, bottom, 1 x M25				
without cover				
with cable gland, IP54, $\rightarrow \text{Ø} \leftarrow$ 7.5 – 19 mm	BAS GUT GO 64H M25 50 A0	25	76.333.6435.0	1
with threaded collar	BAS GUT GO 64H M25 50 A1	25	76.333.6435.1	1
with cover				
with cable gland, IP54, $\rightarrow \text{Ø} \leftarrow$ 7.5 – 19 mm	BAS GUT GU 64H M25 50 A0	25	76.343.6435.0	1
with threaded collar	BAS GUT GU 64H M25 50 A1	25	76.343.6435.1	1
1 cable gland, bottom, 1 x M32				
without cover				
with cable gland, IP54, $\rightarrow \text{Ø} \leftarrow$ 15 – 26.5 mm	BAS GUT GO 64H M32 50 A0	32	76.337.6435.0	1
with threaded collar	BAS GUT GO 64H M32 50 A1	32	76.337.6435.1	1
with cover				
with cable gland, IP54, $\rightarrow \text{Ø} \leftarrow$ 15 – 26.5 mm	BAS GUT GU 64H M32 50 A0	32	76.347.6435.0	1
with threaded collar	BAS GUT GU 64H M32 50 A1	32	76.347.6435.1	1

Technical data

Material	Die cast aluminum alloy
Surface	silicon-free
Locking levers	Handle: Polyamide, UL94-V0; stainless steel: V2A
Gasket	NBR

Degree of protection

with latched locking levers	IP54
with appropriate cable glands	IP65
Temperature range	-40 – +120 °C

All Bases with "cable gland bottom" on this page are also available in M40 design.
Part numbers available on request.

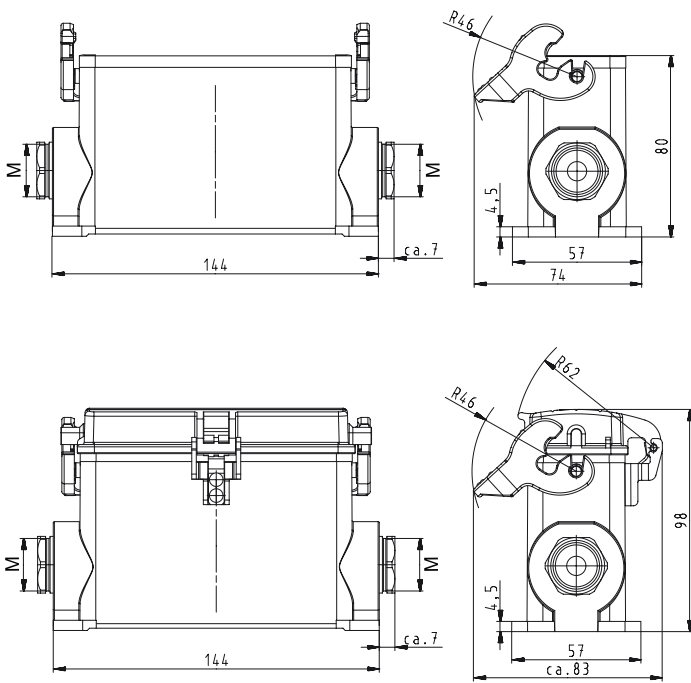
Note: In 2013 the housing will be equipped with an insulation strip. With this modification, voltage ranges of up to 690 V can be covered.

Accessories and Dimensions

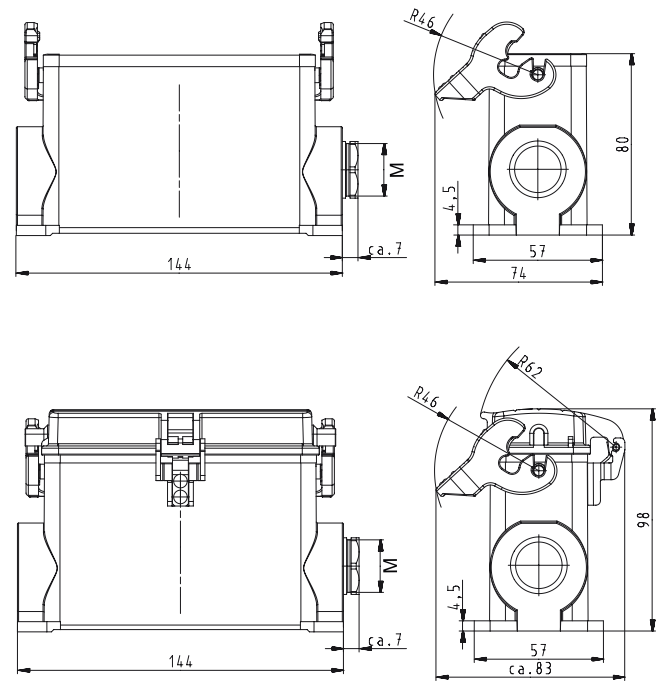
Description	Type	M	Part No.	P.U.
Accessories				
Cable gland IP68, plastic material, gray	Connection range 7 – 16 mm	25	Z5.507.1553.0	10
Cable gland IP68, nickel-plated brass	Connection range 11 – 18 mm	25	Z5.507.1521.0	10
Cable gland IP68, plastic material, gray	Connection range 10 – 21 mm	32	Z5.507.1753.0	10
Cable gland IP68, nickel-plated brass	Connection range 15 – 21 mm	32	Z5.507.1721.0	10
Cable gland IP68, plastic material, gray	Connection range 16 – 28 mm	40	Z5.507.1953.0	1
Cable gland IP68, nickel-plated brass	Connection range 19 – 27 mm	40	Z5.507.1921.0	1
Contact inserts				
See the product matrix			Page 24–25	

Bases

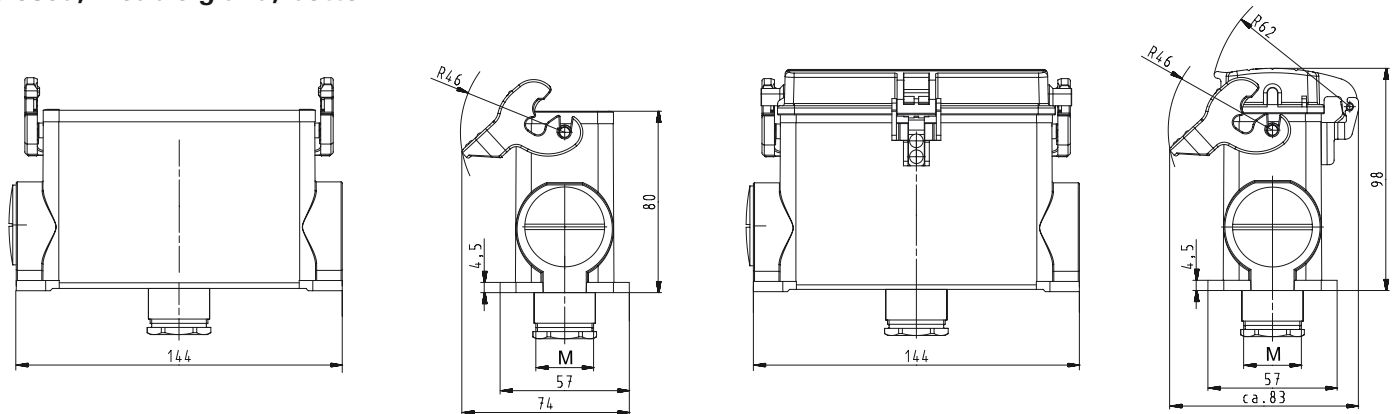
closed, 2 cable glands



closed, 1 cable gland



closed, 1 cable gland, bottom



500 V Hoods, double locking lever Size 24

500 V Hoods Size 24



Lateral cable entry



Top cable entry



Description	Type	M	Part No.	P.U.
500 V Hoods, size 24				
Lateral cable entry M25				
with cable gland, IP54, $\rightarrow \varnothing $ 7.5 – 19 mm	BAS GOT GA 24 M25 50 A0	25	70.350.2435.0	1
with threaded collar	BAS GOT GA 24 M25 50 A1	25	70.350.2435.1	1
with intermediate support	BAS GOT GA 24 M25 50 A2	25	70.350.2435.2	1
with strain relief, IP54	BAS GOT GA 24 M25 50 A3	25	70.350.2435.3	1
Lateral cable entry M32				
with cable gland, IP54, $\rightarrow \varnothing $ 15 – 26.5 mm	BAS GOT GA 24 M32 50 A0	32	70.353.2435.0	1
with threaded collar	BAS GOT GA 24 M32 50 A1	32	70.353.2435.1	1
with intermediate support	BAS GOT GA 24 M32 50 A2	32	70.353.2435.2	1
with strain relief, IP54	BAS GOT GA 24 M32 50 A3	32	70.353.2435.3	1
Top cable entry M25				
with cable gland, IP54, $\rightarrow \varnothing $ 7.5 – 19 mm	BAS GOT GC 24 M25 50 A0	25	70.352.2435.0	1
with threaded collar	BAS GOT GC 24 M25 50 A1	25	70.352.2435.1	1
with intermediate support	BAS GOT GC 24 M25 50 A2	25	70.352.2435.2	1
with strain relief, IP54	BAS GOT GC 24 M25 50 A3	25	70.352.2435.3	1
Top cable entry M32				
with cable gland, IP54, $\rightarrow \varnothing $ 15 – 26.5 mm	BAS GOT GC 24 M32 50 A0	32	70.354.2435.0	1
with threaded collar	BAS GOT GC 24 M32 50 A1	32	70.354.2435.1	1
with intermediate support	BAS GOT GC 24 M32 50 A2	32	70.354.2435.2	1
with strain relief, IP54	BAS GOT GC 24 M32 50 A3	32	70.354.2435.3	1
Technical data				
Material	Die cast aluminum alloy			
Surface	silicon-free			
Locking levers	-			
Gasket	-			
Degree of protection				
with latched locking levers	IP54			
with appropriate cable glands	IP65			
Temperature range	-40 – +120 °C			
Description	Type	M	Part No.	P.U.
Accessories				
Cable gland IP68, plastic material, gray	Connection range 7 – 16 mm	25	Z5.507.1553.0	10
Cable gland IP68, nickel-plated brass	Connection range 11 – 18 mm	25	Z5.507.1521.0	10
Cable gland IP68, plastic material, gray	Connection range 10 – 21 mm	32	Z5.507.1753.0	10
Cable gland IP68, nickel-plated brass	Connection range 15 – 21 mm	32	Z5.507.1721.0	10
Contact inserts				
See the product matrix			Page 24–25	

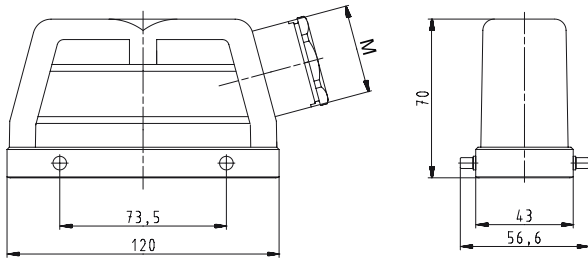
Note:

In 2013 the design of the revos housings will change. Through the use of an integrated insulation strip, voltage ranges of up to 690 V can then be covered. Additionally, a new, flexible marking system will be available to you.

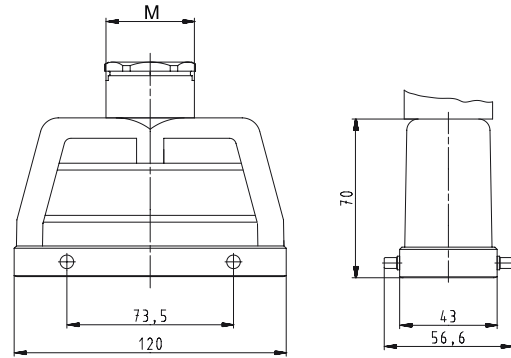
Dimensions

Hoods

500 V Size 24
Lateral cable entry



500 V Size 24
Top cable entry



500 V Hoods, double locking lever with Locking levers, Size 24

500 V Hoods Size 24



Lateral cable entry



Top cable entry



Multipole connectors for cable-to-cable couplings



Description	Type	M	Part No.	P.U.
500 V Hoods, size 24	Aluminum housing			
Lateral cable entry M25				
with cable gland, IP54, $\rightarrow \varnothing $ 7.5 – 19 mm	BAS GOT GD 24 M25 50 A0	25	70.355.2435.0	1
with threaded collar	BAS GOT GD 24 M25 50 A1	25	70.355.2435.1	1
with intermediate support	BAS GOT GD 24 M25 50 A2	25	70.355.2435.2	1
with strain relief, IP54	BAS GOT GD 24 M25 50 A3	25	70.355.2435.3	1
Lateral cable entry M32				
with cable gland, IP54, $\rightarrow \varnothing $ 15 – 26.5 mm	BAS GOT GD 24 M32 50 A0	32	70.358.2435.0	1
with threaded collar	BAS GOT GD 24 M32 50 A1	32	70.358.2435.1	1
with intermediate support	BAS GOT GD 24 M32 50 A2	32	70.358.2435.2	1
with strain relief, IP54	BAS GOT GD 24 M32 50 A3	32	70.358.2435.3	1
Top cable entry M25				
with cable gland, IP54, $\rightarrow \varnothing $ 7.5 – 19 mm	BAS GOT GF 24 M25 50 A0	25	70.357.2435.0	1
with threaded collar	BAS GOT GF 24 M25 50 A1	25	70.357.2435.1	1
with intermediate support	BAS GOT GF 24 M25 50 A2	25	70.357.2435.2	1
with strain relief, IP54	BAS GOT GF 24 M25 50 A3	25	70.357.2435.3	1
Top cable entry M32				
with cable gland, IP54, $\rightarrow \varnothing $ 15 – 26.5 mm	BAS GOT GF 24 M32 50 A0	32	70.359.2435.0	1
with threaded collar	BAS GOT GF 24 M32 50 A1	32	70.359.2435.1	1
with intermediate support	BAS GOT GF 24 M32 50 A2	32	70.359.2435.2	1
with strain relief, IP54	BAS GOT GF 24 M32 50 A3	32	70.359.2435.3	1
Multipole connectors for cable-to-cable couplings M32				
with cable gland, IP54, $\rightarrow \varnothing $ 15 – 26.5 mm	BAS GOT GC 24 M32 50 A0	32	70.354.2435.0	1
with cable gland, IP54, $\rightarrow \varnothing $ 15 – 26.5 mm Locking levers and gasket	BAS GOT GK 24 M32 50 A0	32	70.374.2435.0	1
with threaded collar	BAS GOT GC 24 M32 50 A1	32	70.354.2435.1	1
with threaded collar Locking levers and gasket	BAS GOT GK 24 M32 50 A1	32	70.374.2435.1	1
with strain relief, IP54	BAS GOT GC 24 M32 50 A3	32	70.354.2435.3	1
with strain relief, IP54 Locking levers and gasket	BAS GOT GK 24 M32 50 A3	32	70.374.2435.3	1
Technical data				
Material	Die cast aluminum alloy			
Surface	silicon-free			
Locking levers	Handle: Polyamide, UL94-V0; stainless steel: V2A			
Gasket for Multipole connectors	NBR			
Degree of protection				
with latched locking levers	IP54			
with appropriate cable glands	IP65			
Temperature range	-40 – +120 °C			
Description	Type	M	Part No.	P.U.
Accessories				
Cable gland IP68, plastic material, gray	Connection range 7 – 16 mm	25	Z5.507.1553.0	10
Cable gland IP68, nickel-plated brass	Connection range 11 – 18 mm	25	Z5.507.1521.0	10
Cable gland IP68, plastic material, gray	Connection range 10 – 21 mm	32	Z5.507.1753.0	10
Cable gland IP68, nickel-plated brass	Connection range 15 – 21 mm	32	Z5.507.1721.0	10
Contact inserts				
See the product matrix			Page 24–25	

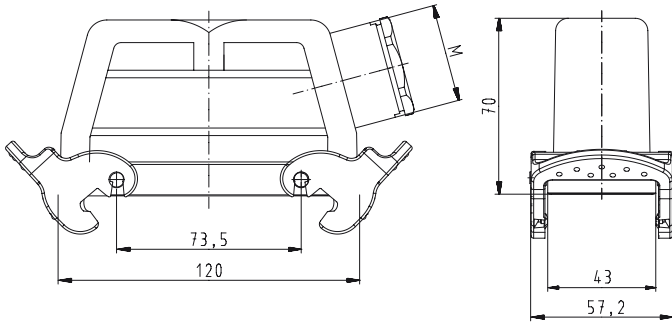
Note:

In 2013 the design of the revos housings will change. Through the use of an integrated insulation strip, voltage ranges of up to 690 V can then be covered. Additionally, a new, flexible marking system will be available to you.

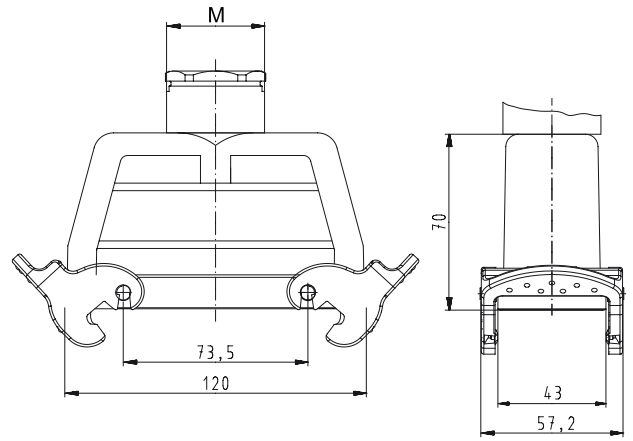
Dimensions

Hoods with Locking levers

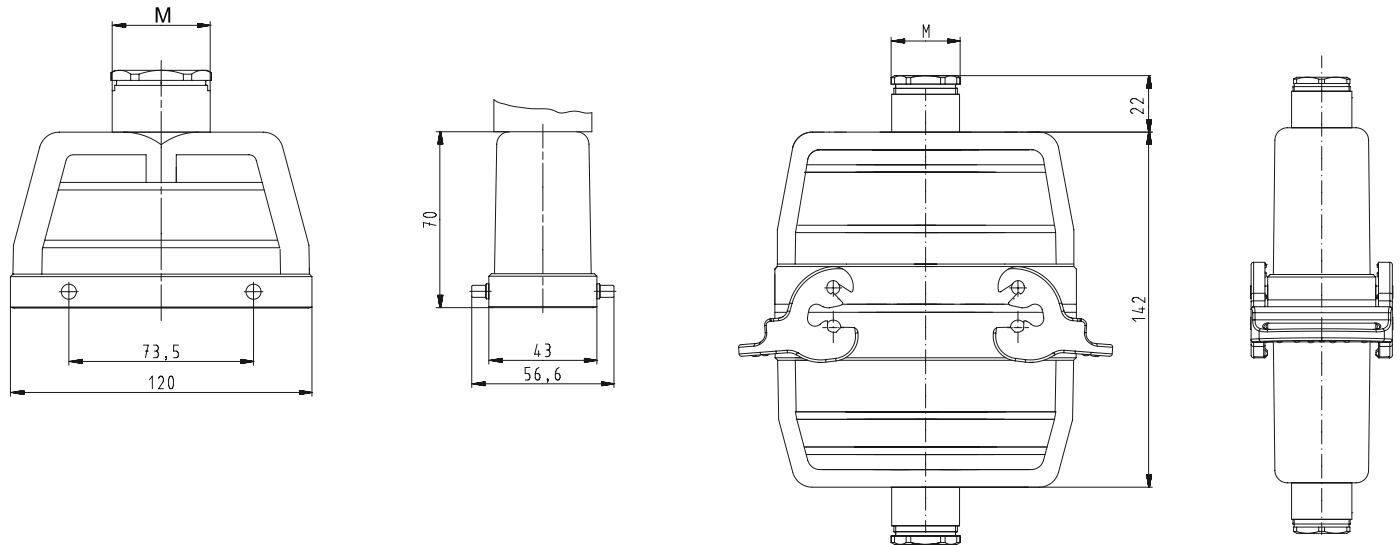
Lateral cable entry



Top cable entry



Multipole connectors for cable-to-cable couplings



500 V Hoods, double locking lever Size 24H, increased height design

500 V Hoods Size 24H, increased height design

Lateral cable entry



Top cable entry

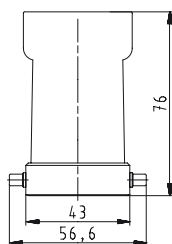
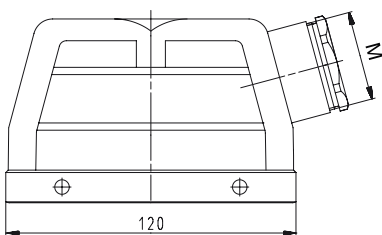


Description	Type	M	Part No.	P.U.
500 V Hoods, size 24H				
Lateral cable entry M25				
with cable gland, IP54, $\rightarrow \text{Ø} \leftarrow$ 7.5 – 19 mm	BAS GOT GA 64H M25 50 A0	25	73.350.6435.0	1
with threaded collar	BAS GOT GA 64H M25 50 A1	25	73.350.6435.1	1
with intermediate support	BAS GOT GA 64H M25 50 A2	25	73.350.6435.2	1
with strain relief, IP54	BAS GOT GA 64H M25 50 A3	25	73.350.6435.3	1
Lateral cable entry M32				
with cable gland, IP54, $\rightarrow \text{Ø} \leftarrow$ 15 – 26.5 mm	BAS GOT GA 64H M32 50 A0	32	73.353.6435.0	1
with threaded collar	BAS GOT GA 64H M32 50 A1	32	73.353.6435.1	1
with intermediate support	BAS GOT GA 64H M32 50 A2	32	73.353.6435.2	1
with strain relief, IP54	BAS GOT GA 64H M32 50 A3	32	73.353.6435.3	1
Lateral cable entry M40				
with cable gland, IP54, $\rightarrow \text{Ø} \leftarrow$ 23 – 32 mm	BAS GOT GA 64H M40 50 A0	40	73.360.6435.0	1
with threaded collar	BAS GOT GA 64H M40 50 A1	40	73.360.6435.1	1
with intermediate support	BAS GOT GA 64H M40 50 A2	40	73.360.6435.2	1
Top cable entry M25				
with cable gland, IP54, $\rightarrow \text{Ø} \leftarrow$ 7.5 – 19 mm	BAS GOT GC 64H M25 50 A0	25	73.352.6435.0	1
with threaded collar	BAS GOT GC 64H M25 50 A1	25	73.352.6435.1	1
with intermediate support	BAS GOT GC 64H M25 50 A2	25	73.352.6435.2	1
with strain relief, IP54	BAS GOT GC 64H M25 50 A3	25	73.352.6435.3	1
Top cable entry M32				
with cable gland, IP54, $\rightarrow \text{Ø} \leftarrow$ 15 – 26.5 mm	BAS GOT GC 64H M32 50 A0	32	73.354.6435.0	1
with threaded collar	BAS GOT GC 64H M32 50 A1	32	73.354.6435.1	1
with intermediate support	BAS GOT GC 64H M32 50 A2	32	73.354.6435.2	1
with strain relief, IP54	BAS GOT GC 64H M32 50 A3	32	73.354.6435.3	1
Top cable entry M40				
with cable gland, IP54, $\rightarrow \text{Ø} \leftarrow$ 23 – 32 mm	BAS GOT GC 64H M40 50 A0	40	73.362.6435.0	1
with threaded collar	BAS GOT GC 64H M40 50 A1	40	73.362.6435.1	1
Technical data				
Material	Die cast aluminum alloy			
Surface	silicon-free			
Locking levers	-			
Gasket	-			
Degree of protection				
with latched locking levers	IP54			
with appropriate cable glands	IP65			
Temperature range	-40 – +120 °C			
Description	Type	M	Part No.	P.U.
Accessories				
Cable gland IP68, plastic material, gray	Connection range 7 – 16 mm	25	Z5.507.1553.0	10
Cable gland IP68, nickel-plated brass	Connection range 11 – 18 mm	25	Z5.507.1521.0	10
Cable gland IP68, plastic material, gray	Connection range 10 – 21 mm	32	Z5.507.1753.0	10
Cable gland IP68, nickel-plated brass	Connection range 15 – 21 mm	32	Z5.507.1721.0	10
Cable gland IP68, plastic material, gray	Connection range 16 – 28 mm	40	Z5.507.1953.0	1
Cable gland IP68, nickel-plated brass	Connection range 19 – 27 mm	40	Z5.507.1921.0	1
Contact inserts				
See the product matrix			Page 24–25	

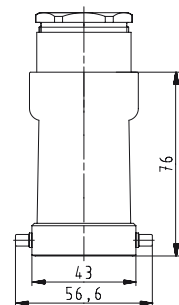
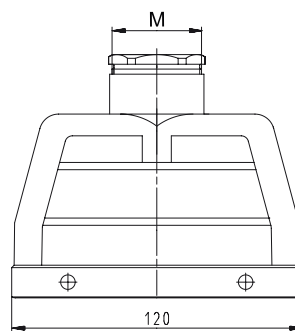
Dimensions

Hoods

Lateral cable entry



Top cable entry



Note:

In 2013 the housing will be equipped with an insulation strip. With this modification, voltage ranges of up to 690 V can be covered.

500 V Hoods, double locking lever with Locking levers, Size 24H, increased height design

500 V Hoods Size 24H, increased height design

Lateral cable entry



Top cable entry

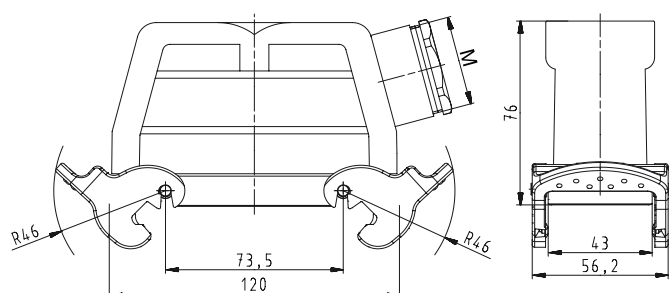


Description	Type	M	Part No.	P.U.
500 V Hoods, size 24H				
Lateral cable entry M25				
with cable gland, IP54, $\rightarrow \varnothing $ 7.5 – 19 mm	BAS GOT GD 64H M25 50 A0	25	73.355.6435.0	1
with threaded collar	BAS GOT GD 64H M25 50 A1	25	73.355.6435.1	1
with intermediate support	BAS GOT GD 64H M25 50 A2	25	73.355.6435.2	1
with strain relief, IP54	BAS GOT GD 64H M25 50 A3	25	73.355.6435.3	1
Lateral cable entry M32				
with cable gland, IP54, $\rightarrow \varnothing $ 15 – 26.5 mm	BAS GOT GD 64H M32 50 A0	32	73.358.6435.0	1
with threaded collar	BAS GOT GD 64H M32 50 A1	32	73.358.6435.1	1
with intermediate support	BAS GOT GD 64H M32 50 A2	32	73.358.6435.2	1
with strain relief, IP54	BAS GOT GD 64H M32 50 A3	32	73.358.6435.3	1
Lateral cable entry M40				
with threaded collar	BAS GOT GD 64H M40 50 A1	40	73.365.6435.1	1
Top cable entry M25				
with cable gland, IP54, $\rightarrow \varnothing $ 7.5 – 19 mm	BAS GOT GF 64H M25 50 A0	25	73.357.6435.0	1
with threaded collar	BAS GOT GF 64H M25 50 A1	25	73.357.6435.1	1
with intermediate support	BAS GOT GF 64H M25 50 A2	25	73.357.6435.2	1
with strain relief, IP54	BAS GOT GF 64H M25 50 A3	25	73.357.6435.3	1
Top cable entry M32				
with cable gland, IP54, $\rightarrow \varnothing $ 15 – 26.5 mm	BAS GOT GF 64H M32 50 A0	32	73.359.6435.0	1
with threaded collar	BAS GOT GF 64H M32 50 A1	32	73.359.6435.1	1
with intermediate support	BAS GOT GF 64H M32 50 A2	32	73.359.6435.2	1
with strain relief, IP54	BAS GOT GF 64H M32 50 A3	32	73.359.6435.3	1
Top cable entry M40				
with threaded collar	BAS GOT GF 64H M40 50 A1	40	73.367.6435.0	1
Technical data				
Material	Die cast aluminum alloy			
Surface	silicon-free			
Locking levers	Handle: Polyamide, UL94-V0; stainless steel: V2A			
Gasket	-			
Degree of protection				
with latched locking levers	IP54			
with appropriate cable glands	IP65			
Temperature range	-40 – +120 °C			
Description	Type	M	Part No.	P.U.
Accessories				
Cable gland IP68, plastic material, gray	Connection range 7 – 16 mm	25	Z5.507.1553.0	10
Cable gland IP68, nickel-plated brass	Connection range 11 – 18 mm	25	Z5.507.1521.0	10
Cable gland IP68, plastic material, gray	Connection range 10 – 21 mm	32	Z5.507.1753.0	10
Cable gland IP68, nickel-plated brass	Connection range 15 – 21 mm	32	Z5.507.1721.0	10
Cable gland IP68, plastic material, gray	Connection range 16 – 28 mm	40	Z5.507.1953.0	1
Cable gland IP68, nickel-plated brass	Connection range 19 – 27 mm	40	Z5.507.1921.0	1
Contact inserts				
See the product matrix			Page 24–25	

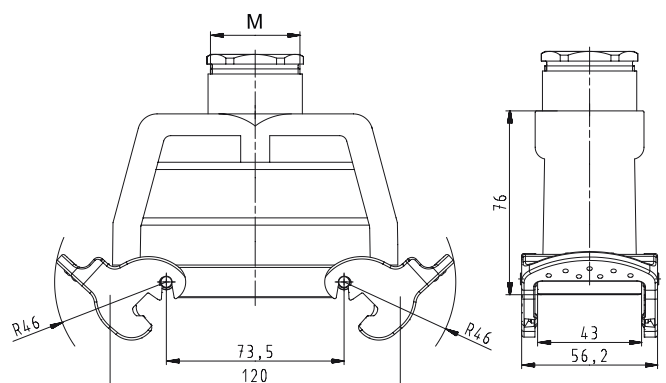
Dimensions

Hoods

Lateral cable entry



Top cable entry



500 V Bases, double locking lever Size 24

500 V Bases, Size 24



open

without cover
with cover



closed

1 cable gland, lateral
cable entry

without cover
with cover



closed

1 cable gland, bottom

without cover
with cover



Description	Type	M	Part No.	P.U.
500 V Bases, size 24				
Open-bottom base				
without cover	BAS GUT GA 24 50 A		70.320.2428.0	1
with cover	BAS GUT GE 24 50 A		70.325.2428.0	1
Closed-bottom base				
2 cable glands, 2 x M25				
without cover				
with cable gland, IP54, $\rightarrow \text{Ø} \leftarrow$ 7.5 – 19 mm	BAS GUT GB 24 M25 50 A0	25	70.330.2435.0	1
with threaded collar	BAS GUT GB 24 M25 50 A1	25	70.330.2435.1	1
with cover				
with cable gland, IP54, $\rightarrow \text{Ø} \leftarrow$ 7.5 – 19 mm	BAS GUT GF 24 M25 50 A0	25	70.340.2435.0	1
with threaded collar	BAS GUT GF 24 M25 50 A1	25	70.340.2435.1	1
1 cable gland, left, 1 x M25				
without cover				
with cable gland, IP54, $\rightarrow \text{Ø} \leftarrow$ 7.5 – 19 mm	BAS GUT GC 24 M25 50 A0	25	70.331.2435.0	1
with threaded collar	BAS GUT GC 24 M25 50 A1	25	70.331.2435.1	1
with cover				
with cable gland, IP54, $\rightarrow \text{Ø} \leftarrow$ 7.5 – 19 mm	BAS GUT GG 24 M25 50 A0	25	70.341.2435.0	1
with threaded collar	BAS GUT GG 24 M25 50 A1	25	70.341.2435.1	1
1 cable gland, right, 1 x M25				
with cover				
with cable gland, IP54, $\rightarrow \text{Ø} \leftarrow$ 7.5 – 19 mm	BAS GUT GH 24 M25 50 A0	25	70.342.2435.0	1
with threaded collar	BAS GUT GH 24 M25 50 A1	25	70.342.2435.1	1
1 cable gland, bottom, 1 x M25				
without cover				
with cable gland, IP54, $\rightarrow \text{Ø} \leftarrow$ 7.5 – 19 mm	BAS GUT GD 24 M25 50 A0	25	70.333.2435.0	1
with threaded collar	BAS GUT GD 24 M25 50 A1	25	70.333.2435.1	1
with cover				
with cable gland, IP54, $\rightarrow \text{Ø} \leftarrow$ 7.5 – 19 mm	BAS GUT GI 24 M25 50 A0	25	70.343.2435.0	1
with threaded collar	BAS GUT GI 24 M25 50 A1	25	70.343.2435.1	1

Technical data

Material	Die cast aluminum alloy
Surface	silicon-free
Locking levers	Handle: Polyamide, UL94-V0; stainless steel: V2A
Gasket	NBR
Degree of protection	
with latched locking levers	IP54
with appropriate cable glands	IP65
Temperature range	-40 – +120 °C

Description	Type	M	Part No.	P.U.
Accessories				
Cable gland IP68, plastic material, gray	Connection range 7 – 16 mm	25	Z5.507.1553.0	10
Cable gland IP68, nickel-plated brass	Connection range 11 – 18 mm	25	Z5.507.1521.0	10
Contact inserts				
See the product matrix				Page 24–25

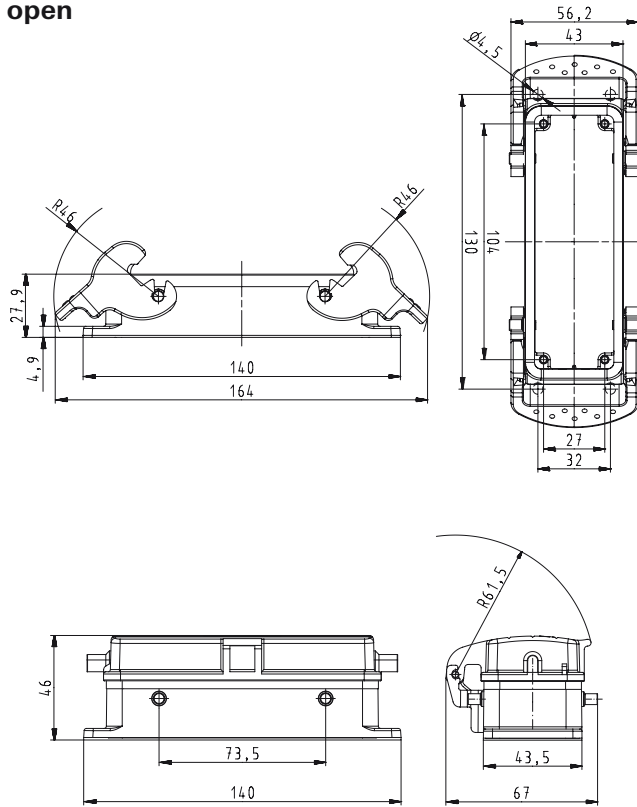
Note:

In 2013 the design of the revos housings will change. Through the use of an integrated insulation strip, voltage ranges of up to 690 V can then be covered. Additionally, a new, flexible marking system will be available to you.

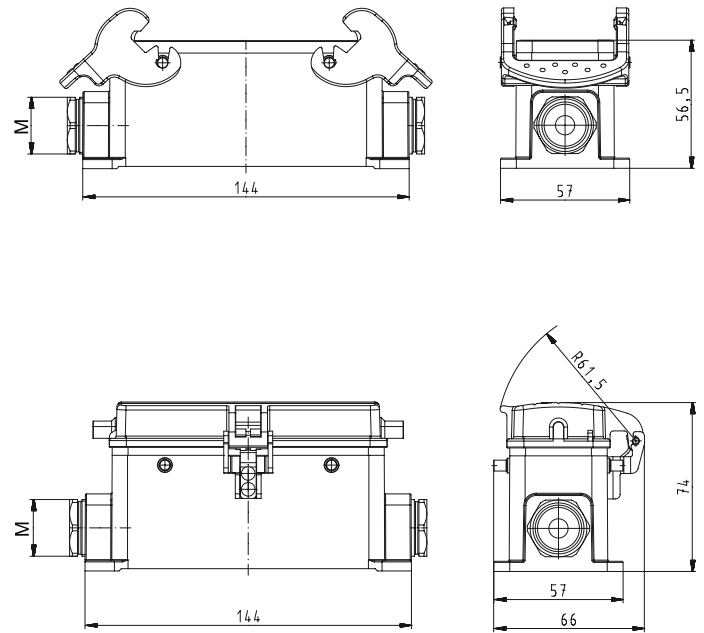
Dimensions

Bases

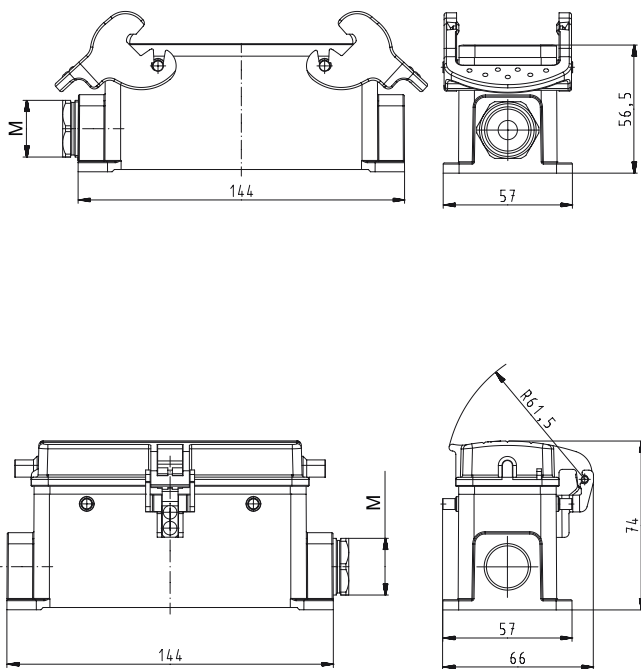
open



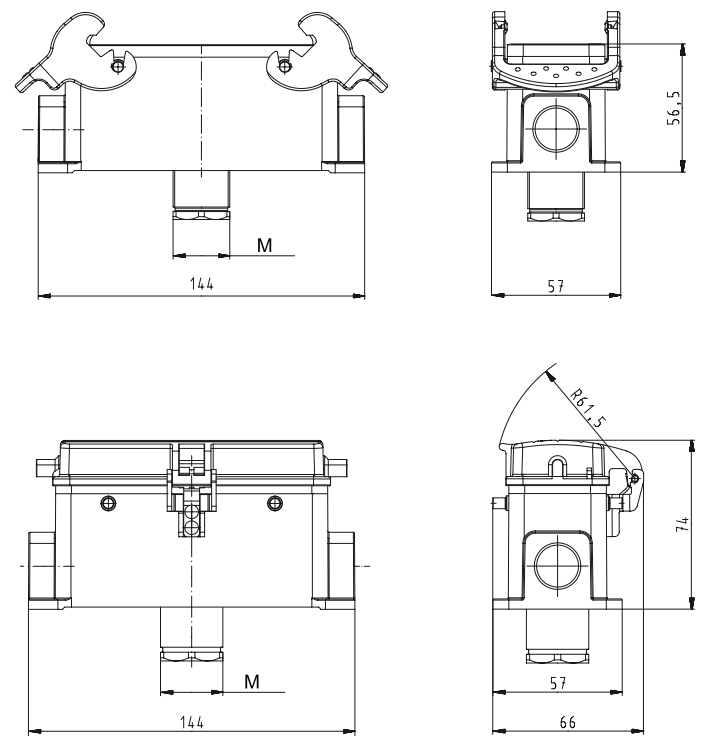
closed, 2 cable glands



closed, 1 cable gland, lateral cable entry



closed, 1 cable gland, bottom



500 V Bases, double locking lever Size 24H, increased height design

500 V Bases Size 24H, increased height design

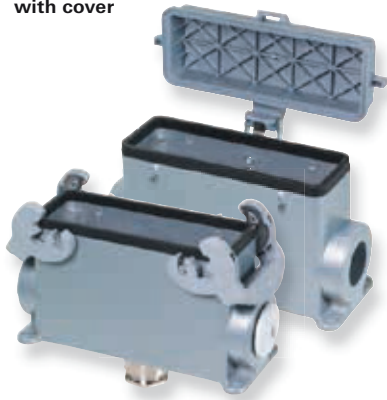
**closed M25
2 cable glands
without cover
with cover**



**closed M32
2 cable glands
without cover
with cover**



**closed M25
1 cable gland, bottom
without cover
with cover**



Description	Type	M	Part No.	P.U.
500 V Bases, size 24H Closed-bottom base 2 cable glands, 2 x M25 without cover	Aluminum housing			
with cable gland, IP54, $\rightarrow \text{Ø} \leftarrow$ 7.5 – 19 mm	BAS GUT GB 64H M25 50 A0	25	73.330.6435.0	1
with threaded collar	BAS GUT GB 64H M25 50 A1	25	73.330.6435.1	1
with cover				
with cable gland, IP54, $\rightarrow \text{Ø} \leftarrow$ 7.5 – 19 mm	BAS GUT GF 64H M25 50 A0	25	73.340.6435.0	1
with threaded collar	BAS GUT GF 64H M25 50 A1	25	73.340.6435.1	1
2 cable glands, 2 x M32 without cover				
with cable gland, IP54, $\rightarrow \text{Ø} \leftarrow$ 15 – 26.5 mm	BAS GUT GB 64H M32 50 A0	32	73.334.6435.0	1
with threaded collar	BAS GUT GB 64H M32 50 A1	32	73.334.6435.1	1
with cover				
with cable gland, IP54, $\rightarrow \text{Ø} \leftarrow$ 15 – 26.5 mm	BAS GUT GF 64H M32 50 A0	32	73.344.6435.0	1
with threaded collar	BAS GUT GF 64H M32 50 A1	32	73.344.6435.1	1
2 cable glands, 2 x M40 without cover				
with threaded collar	BAS GUT GB 64H M40 50 A1	40	73.338.6435.1	1
1 cable gland, left, 1 x M25 without cover				
with cable gland, IP54, $\rightarrow \text{Ø} \leftarrow$ 7.5 – 19 mm	BAS GUT GC 64H M25 50 A0	25	73.331.6435.0	1
with threaded collar	BAS GUT GC 64H M25 50 A1	25	73.331.6435.1	1
with cover				
with cable gland, IP54, $\rightarrow \text{Ø} \leftarrow$ 7.5 – 19 mm	BAS GUT GG 64H M25 50 A0	25	73.341.6435.0	1
with threaded collar	BAS GUT GG 64H M25 50 A1	25	73.341.6435.1	1
1 cable gland, left, 1 x M32 without cover				
with cable gland, IP54, $\rightarrow \text{Ø} \leftarrow$ 15 – 26.5 mm	BAS GUT GC 64H M32 50 A0	32	73.335.6435.0	1
with threaded collar	BAS GUT GC 64H M32 50 A1	32	73.335.6435.1	1
with cover				
with cable gland, IP54, $\rightarrow \text{Ø} \leftarrow$ 15 – 26.5 mm	BAS GUT GG 64H M32 50 A0	32	73.345.6435.0	1
with threaded collar	BAS GUT GG 64H M32 50 A1	32	73.345.6435.1	1
1 cable gland, left, 1 x M40 without cover				
with threaded collar	BAS GUT GC 64H M40 50 A1	40	73.339.6435.1	1
1 cable gland, right, 1 x M25 with cover				
with cable gland, IP54, $\rightarrow \text{Ø} \leftarrow$ 7.5 – 19 mm	BAS GUT GH 64H M25 50 A0	25	73.342.6435.0	1
with threaded collar	BAS GUT GH 64H M25 50 A1	25	73.342.6435.1	1
1 cable gland, right, 1 x M32 with cover				
with cable gland, IP54, $\rightarrow \text{Ø} \leftarrow$ 15 – 26.5 mm	BAS GUT GH 64H M32 50 A0	32	73.346.6435.0	1
with threaded collar	BAS GUT GH 64H M32 50 A1	32	73.346.6435.1	1
1 cable gland, bottom, 1 x M25 without cover				
with cable gland, IP54, $\rightarrow \text{Ø} \leftarrow$ 7.5 – 19 mm	BAS GUT GD 64H M25 50 A0	25	73.333.6435.0	1
with threaded collar	BAS GUT GD 64H M25 50 A1	25	73.333.6435.1	1
with cover				
with cable gland, IP54, $\rightarrow \text{Ø} \leftarrow$ 7.5 – 19 mm	BAS GUT GI 64H M25 50 A0	25	73.343.6435.0	1
with threaded collar	BAS GUT GI 64H M25 50 A1	25	73.343.6435.1	1
1 cable gland, bottom, 1 x M32 without cover				
with cable gland, IP54, $\rightarrow \text{Ø} \leftarrow$ 15 – 26.5 mm	BAS GUT GD 64H M32 50 A0	32	73.337.6435.0	1
with threaded collar	BAS GUT GD 64H M32 50 A1	32	73.337.6435.1	1
with cover				
with cable gland, IP54, $\rightarrow \text{Ø} \leftarrow$ 15 – 26.5 mm	BAS GUT GI 64H M32 50 A0	32	73.347.6435.0	1
with threaded collar	BAS GUT GI 64H M32 50 A1	32	73.347.6435.1	1

Technical data

Material	Die cast aluminum alloy
Surface	silicon-free
Locking levers	Handle: Polyamide, UL94-V0; stainless steel: V2A
Gasket	NBR
Degree of protection	
with latched locking levers	IP54
with appropriate cable glands	IP65
Temperature range	-40 – +120 °C

All Bases with "cable gland bottom" on this page are also available in M40 design.
Part numbers available on request.

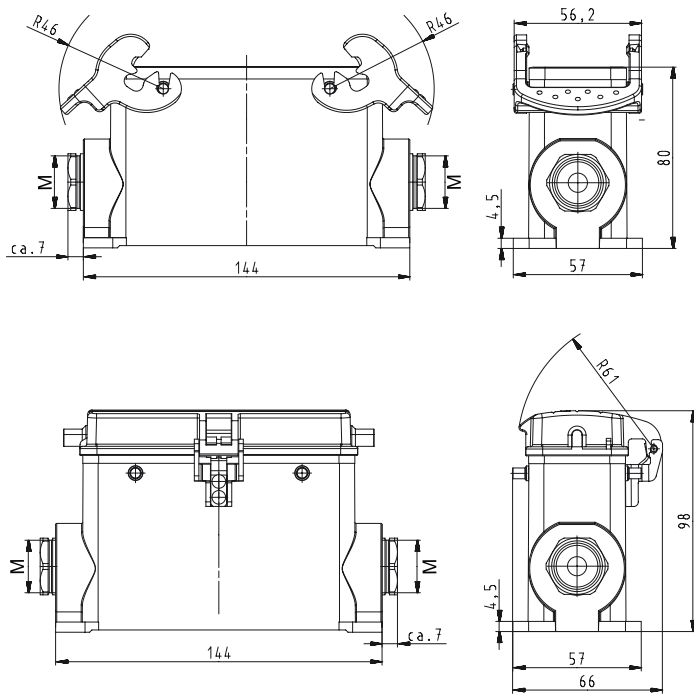
Note: In 2013 the housing will be equipped with an insulation strip. With this modification, voltage ranges of up to 690 V can be covered.

Accessories and Dimensions

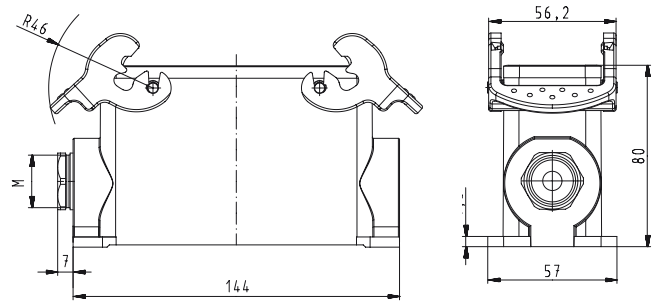
Description	Type	M	Part No.	P.U.
Accessories				
Cable gland IP68, plastic material, gray	Connection range 7 – 16 mm	25	Z5.507.1553.0	10
Cable gland IP68, nickel-plated brass	Connection range 11 – 18 mm	25	Z5.507.1521.0	10
Cable gland IP68, plastic material, gray	Connection range 10 – 21 mm	32	Z5.507.1753.0	10
Cable gland IP68, nickel-plated brass	Connection range 15 – 21 mm	32	Z5.507.1721.0	10
Cable gland IP68, plastic material, gray	Connection range 16 – 28 mm	40	Z5.507.1953.0	1
Cable gland IP68, nickel-plated brass	Connection range 19 – 27 mm	40	Z5.507.1921.0	1
Contact inserts				
See the product matrix				Page 24–25

Bases

closed, 2 cable glands



closed, 1 cable gland



closed, 1 cable gland, bottom

