

# 90 V Hoods, single locking lever

## Size 6Ex

### 90 V Hoods Size 6Ex



#### Lateral cable entry



#### Top cable entry



#### Multipole connectors for cable-to-cable couplings with Locking levers and gasket

#### Lateral cable entry



#### Top cable entry



Description	Type	M	Part No.	P.U.
<b>90 V Hoods, size 6Ex</b>	<b>Housing, die cast zinc alloy</b>			
<b>Lateral cable entry M20</b>				
with threaded collar	EX GOT GG 6 M20 09IA Z1	20	70.350.0636.1	1
with strain relief, IP54 → Ø ← 9 – 13.5 mm	EX GOT GG 6 M20 09IA Z3	20	70.350.0636.3	1
<b>Lateral cable entry M25</b>				
with threaded collar	EX GOT GG 6 M25 09IA Z1	25	70.353.0636.0	1
with strain relief, IP54 → Ø ← 14 – 20 mm	EX GOT GG 6 M25 09IA Z3	25	70.353.0636.3	1
<b>Top cable entry M20</b>				
with threaded collar	EX GOT GI 6 M20 09IA Z1	20	70.352.0636.1	1
with strain relief, IP54 → Ø ← 9 – 13.5 mm	EX GOT GI 6 M20 09IA Z3	20	70.352.0636.3	1
<b>Top cable entry M25</b>				
with threaded collar	EX GOT GI 6 M25 09IA Z1	25	70.354.0636.1	1
with strain relief, IP54 → Ø ← 14 – 20 mm	EX GOT GI 6 M25 09IA Z3	25	70.354.0636.3	1
<b>Multipole connectors for cable-to-cable couplings with Locking levers and gasket</b>				
<b>Lateral cable entry M20</b>				
with strain relief, IP54 → Ø ← 9 – 13.5 mm	EX GOT GT 6 M20 09IA Z4	20	99.731.3329.7	10
<b>Lateral cable entry M25</b>				
with strain relief, IP54 → Ø ← 14 – 20 mm	EX GOT GT 6 M25 09IA Z4	25	99.732.3329.7	1
<b>Top cable entry M20</b>				
with strain relief, IP54 → Ø ← 9 – 13.5 mm	EX GOT GR 6 M20 09IA Z3	20	99.741.3329.7	10
<b>Top cable entry M25</b>				
with strain relief, IP54 → Ø ← 14 – 20 mm	EX GOT GR 6 M25 09IA Z3	25	99.742.3329.7	10

Technical data	
Material	Die cast zinc alloy
Surface	silicon-free, light blue
Locking levers	zinc-plated steel
Gasket	NBR
Degree of protection	
with latched locking levers	IP54
with appropriate cable glands	IP65
Temperature range	-20 – +60 °C

Contact inserts	
See the product matrix	Page 24–25

#### Special conditions for safe use:

1. The heavy duty connectors must be attached to a device in such a way that a minimum protection rating of IP54 is maintained in accordance with EN 60529.
2. The plug connectors can be used in an ambient temperature ranges of -20 °C to +60 °C.

See section "facts & DATA" for handling and assembly of the multipole connectors.

0344  I M1 Ex ia I

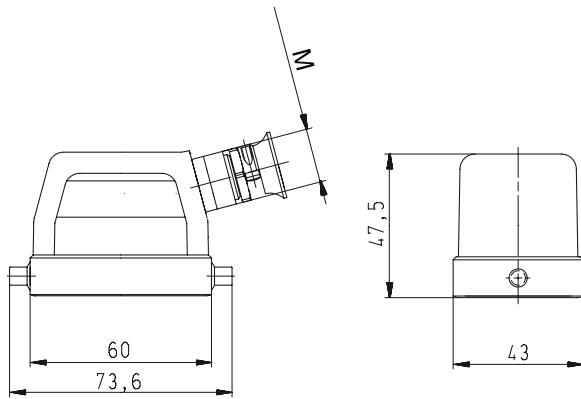
BVS 03 ATEX 184 X

EN 60079-0:2006 EN 60079-11:2007 EN 50303:2000

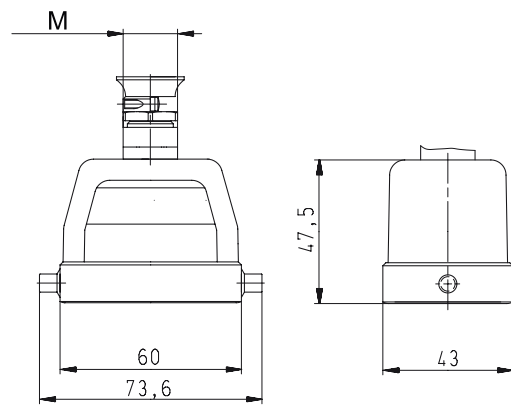
# Dimensions

## Hoods

### Lateral cable entry

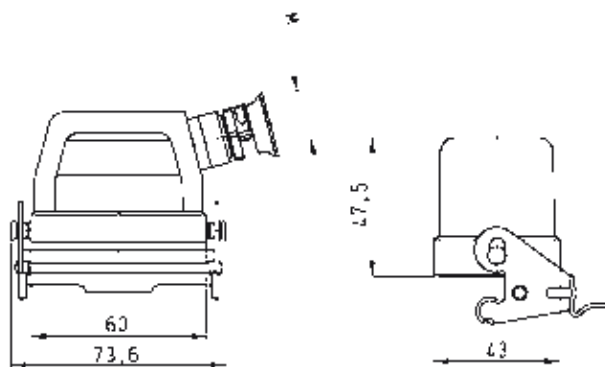


### Top cable entry



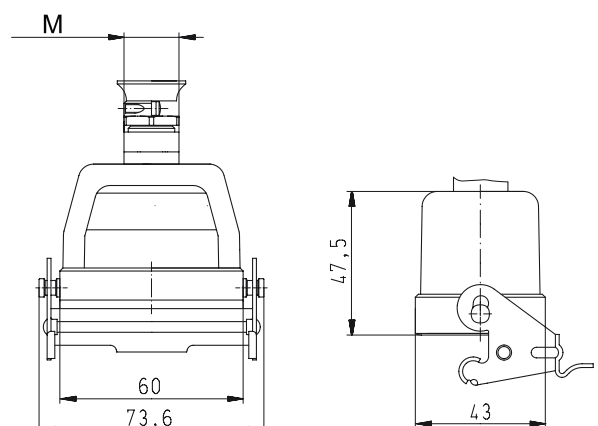
### Multipole connectors for cable-to-cable couplings with Locking levers and gasket

#### Lateral cable entry



### Multipole connectors for cable-to-cable couplings with Locking levers and gasket

#### Top cable entry



# 90 V Bases, single locking lever Size 6Ex

## 90 V Bases Size 6Ex



**open**  
without cover  
with cover



**closed**  
1 cable gland, lateral  
cable entry  
without cover  
with cover



**closed**  
1 cable gland, bottom  
with cover



Description	Type	M	Part No.	P.U.
<b>90 V Bases, size 6Ex</b>				
<b>Open-bottom base</b>				
without cover	EX GUT GK 6 09IA Z		70.320.0628.9	1
with cover	EX GUT GP 6 09IA Z		70.325.0628.9	1
cover with gasket	EX GUT GV 6 09IA Z		99.700.3329.7	10
<b>Closed-bottom base</b>				
<b>2 cable glands, 2 x M20</b>				
<b>without cover</b>				
with cable gland, IP54, $\rightarrow \text{Ø} \leftarrow$ 3 – 14.5 mm	EX GUT GL 6 M20 09IA Z0	20	70.330.0636.0	1
<b>with cover</b>				
with cable gland, IP54, $\rightarrow \text{Ø} \leftarrow$ 3 – 14.5 mm	EX GUT GR 6 M20 09IA Z0	20	70.340.0636.0	1
<b>2 cable glands, 2 x M25</b>				
<b>without cover</b>				
with cable gland, IP54, $\rightarrow \text{Ø} \leftarrow$ 7.5 – 19 mm	EX GUT GL 6 M25 09IA Z0	25	70.334.0636.0	1
<b>with cover</b>				
with cable gland, IP54, $\rightarrow \text{Ø} \leftarrow$ 7.5 – 19 mm	EX GUT GR 6 M25 09IA Z0	25	70.344.0636.0	1
<b>1 cable gland, left, 1 x M20</b>				
<b>without cover</b>				
with cable gland, IP54, $\rightarrow \text{Ø} \leftarrow$ 3 – 14.5 mm	EX GUT GM 6 M20 09IA Z0	20	70.331.0636.0	1
<b>with cover</b>				
with cable gland, IP54, $\rightarrow \text{Ø} \leftarrow$ 3 – 14.5 mm	EX GUT GS 6 M20 09IA Z0	20	70.341.0636.0	1
<b>1 cable gland, left, 1 x M25</b>				
<b>without cover</b>				
with cable gland, IP54, $\rightarrow \text{Ø} \leftarrow$ 7.5 – 19 mm	EX GUT GM 6 M25 09IA Z0	25	70.335.0636.0	1
<b>with cover</b>				
with cable gland, IP54, $\rightarrow \text{Ø} \leftarrow$ 7.5 – 19 mm	EX GUT GS 6 M25 09IA Z0	25	70.345.0636.0	1
<b>1 cable gland, right, 1 x M20</b>				
<b>with cover</b>				
with cable gland, IP54, $\rightarrow \text{Ø} \leftarrow$ 3 – 14.5 mm	EX GUT GT 6 M20 09IA Z0	20	70.342.0636.0	1
<b>1 cable gland, right, 1 x M25</b>				
<b>with cover</b>				
with cable gland, IP54, $\rightarrow \text{Ø} \leftarrow$ 7.5 – 19 mm	EX GUT GT 6 M25 09IA Z0	25	70.346.0636.0	1
<b>1 cable gland, bottom, 1 x M20</b>				
<b>without cover</b>				
with cable gland, IP54, $\rightarrow \text{Ø} \leftarrow$ 3 – 14.5 mm	EX GUT GO 6 M20 09IA Z0	20	70.333.0636.0	1
<b>with cover</b>				
with cable gland, IP54, $\rightarrow \text{Ø} \leftarrow$ 3 – 14.5 mm	EX GUT GU 6 M20 09IA Z0	20	70.343.0636.0	1
<b>1 cable gland, bottom, 1 x M25</b>				
<b>without cover</b>				
with cable gland, IP54, $\rightarrow \text{Ø} \leftarrow$ 7.5 – 19 mm	EX GUT GO 6 M25 09IA Z0	25	70.337.0636.0	1
<b>with cover</b>				
with cable gland, IP54, $\rightarrow \text{Ø} \leftarrow$ 7.5 – 19 mm	EX GUT GU 6 M25 09IA Z0	25	70.347.0636.0	1
<b>Technical data</b>				
Material metal/plastic	Die cast zinc alloy/Cover Polyamide			
Surface	silicon-free, light blue			
Locking levers	zinc-plated steel			
Gasket	NBR			
<b>Degree of protection</b>				
with latched locking levers	IP54			
with appropriate cable glands	IP65			
Temperature range	-20 – +60 °C			
<b>Contact inserts</b>				
See the product matrix				Page 24–25

**Special conditions for safe use:**

1. The heavy duty connectors must be attached to a device in such a way that a minimum protection rating of IP54 is maintained in accordance with EN 60529.
2. The plug connectors can be used in an ambient temperature ranges of -20 °C to +60 °C.

See section "facts & DATA" for handling and assembly of the multipole connectors.

0344  I M1 Ex ia I

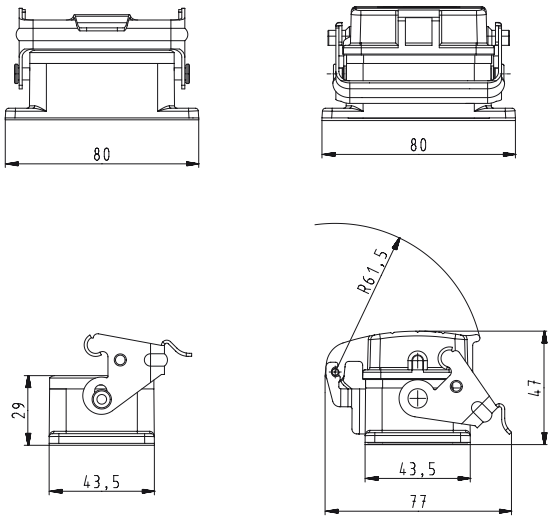
BVS 03 ATEX 184 X

EN 60079-0:2006 EN 60079-11:2007 EN 50303:2000

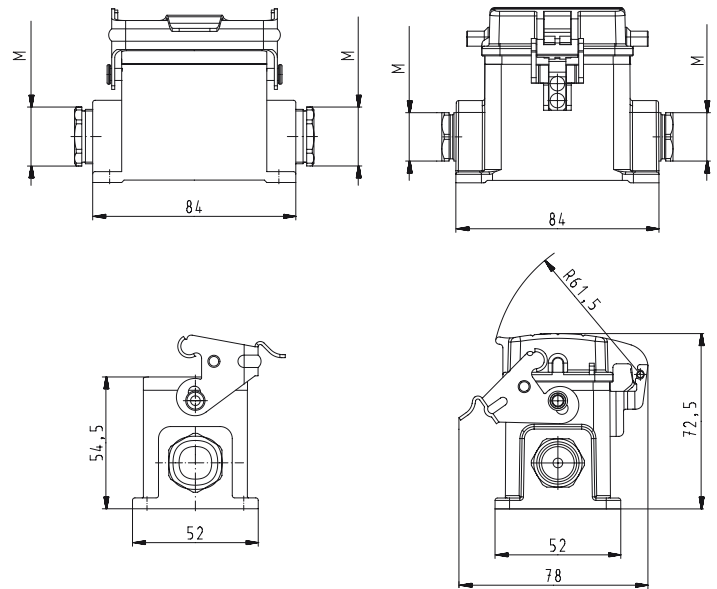
# Dimensions

## Bases

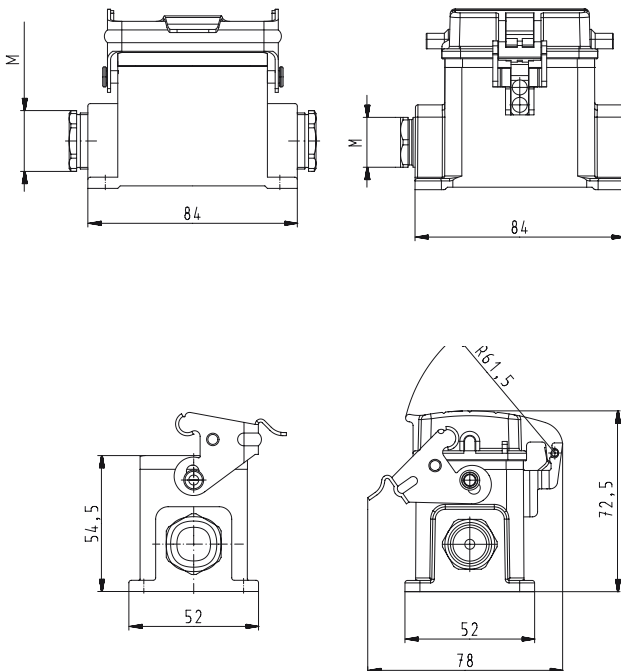
### open



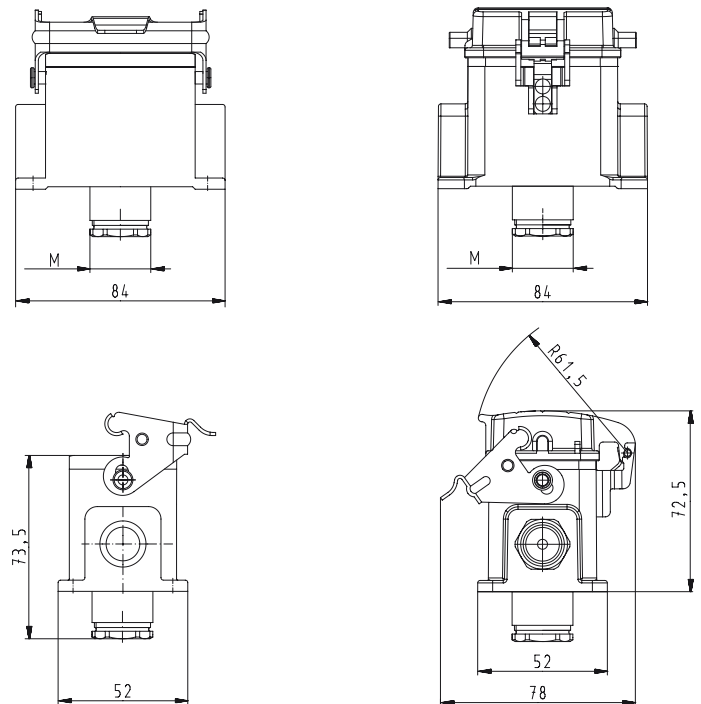
### closed, 2 cable glands, lateral cable entry



### closed, 1 cable gland, lateral cable entry



### closed, 1 cable gland, bottom



# 90 V Hoods, double locking lever Size 10Ex

## 90 V Hoods Size 10Ex



### Lateral cable entry

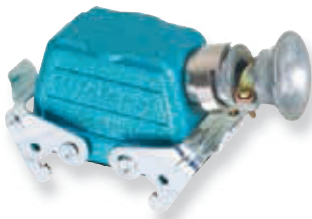


### Top cable entry



### Multipole connectors for cable-to-cable couplings with Locking levers and gasket

### Lateral cable entry



### Top cable entry

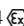


Description	Type	M	Part No.	P.U.
<b>90 V Hoods, size 10Ex</b>	<b>Housing, die cast zinc alloy</b>			
<b>Lateral cable entry M20</b>				
with threaded collar	EX GOT GA 10 M20 09IA Z1	20	70.350.1036.1	1
with strain relief, IP54 → Ø ← 9 – 13.5 mm	EX GOT GA 10 M20 09IA Z3	20	70.350.1036.3	1
<b>Lateral cable entry M25</b>				
with threaded collar	EX GOT GA 10 M25 09IA Z1	25	70.353.1036.1	1
with strain relief, IP54 → Ø ← 14 – 20 mm	EX GOT GA 10 M25 09IA Z3	25	70.353.1036.3	1
<b>Top cable entry M20</b>				
with threaded collar	EX GOT GC 10 M20 09IA Z1	20	70.352.1036.1	1
with strain relief, IP54 → Ø ← 9 – 13.5 mm	EX GOT GC 10 M20 09IA Z3	20	70.352.1036.3	1
<b>Top cable entry M25</b>				
with threaded collar	EX GOT GC 10 M25 09IA Z1	25	70.354.1036.1	1
with strain relief, IP54 → Ø ← 14 – 20 mm	EX GOT GC 10 M25 09IA Z3	25	70.354.1036.3	1
<b>90 V Hoods, size 10Ex with Locking levers without gasket</b>				
<b>Lateral cable entry M20</b>				
with threaded collar, with Locking levers	EX GOT GD 10 M20 09IA Z1	20	70.355.1036.1	1
with strain relief, IP54 → Ø ← 9 – 13.5 mm, with Locking levers	EX GOT GD 10 M20 09IA Z3	20	70.355.1036.3	1
<b>Lateral cable entry M25</b>				
with threaded collar, with Locking levers	EX GOT GD 10 M25 09IA Z1	25	70.358.1036.1	1
with strain relief, IP54 → Ø ← 14 – 20 mm, with Locking levers	EX GOT GD 10 M25 09IA Z3	25	70.358.1036.3	1
<b>Top cable entry M20</b>				
with threaded collar, with Locking levers	EX GOT GF 10 M20 09IA Z1	20	70.357.1036.1	1
with strain relief, IP54 → Ø ← 9 – 13.5 mm, with Locking levers	EX GOT GC 10 M20 09IA Z3	20	70.357.1036.3	1
<b>Top cable entry M25</b>				
with threaded collar, with Locking levers	EX GOT GF 10 M25 09IA Z1	25	70.359.1036.1	1
with strain relief, IP54 → Ø ← 14 – 20 mm, with Locking levers	EX GOT GF 10 M25 09IA Z3	25	70.359.1036.3	1
<b>Multipole connectors for cable-to-cable couplings with Locking levers and gasket</b>				
<b>Lateral cable entry M20</b>				
with strain relief, IP54 → Ø ← 9 – 13.5 mm	EX GOT GS 10 M20 09IA Z4	20	99.733.3329.7	8
<b>Lateral cable entry M25</b>				
with strain relief, IP54 → Ø ← 14 – 20 mm	EX GOT GS 10 M25 09IA Z4	25	99.734.3329.7	1
<b>Top cable entry M20</b>				
with strain relief, IP54 → Ø ← 9 – 13.5 mm	EX GOT GP 10 M20 09IA Z4	20	99.743.3329.7	8
<b>Top cable entry M25</b>				
with strain relief, IP54 → Ø ← 14 – 20 mm	EX GOT GP 10 M25 09IA Z4	25	99.744.3329.7	8
<b>Technical data</b>				
Material	Die cast zinc alloy			
Surface	silicon-free, light blue			
Locking levers	zinc-plated steel			
Gasket	NBR			
<b>Degree of protection</b>				
with latched locking levers	IP54			
with appropriate cable glands	IP65			
Temperature range	-20 – +60 °C			
<b>Contact inserts</b>				
See the product matrix				Page 24–25

**Special conditions for safe use:**

1. The heavy duty connectors must be attached to a device in such a way that a minimum protection rating of IP54 is maintained in accordance with EN 60529.
2. The plug connectors can be used in an ambient temperature ranges of -20 °C to +60 °C.

See section "facts & DATA" for handling and assembly of the multipole connectors.

0344  I M1 Ex ia I

BVS 03 ATEX 184 X

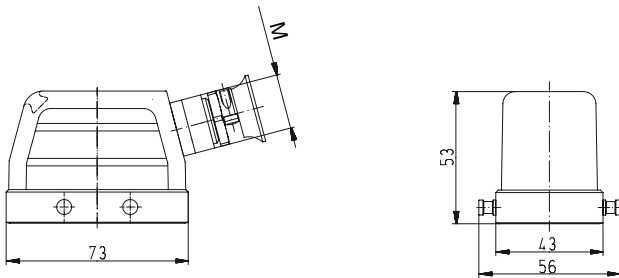
EN 60079-0:2006 EN 60079-11:2007

EN 50303:2000

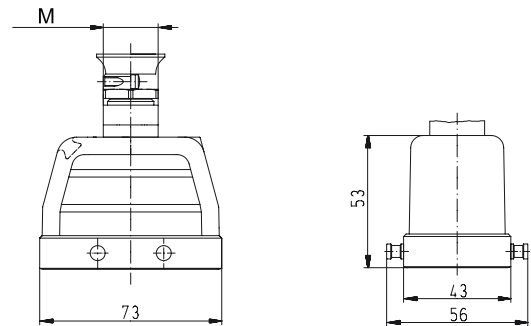
# Dimensions

## Hoods

### Lateral cable entry

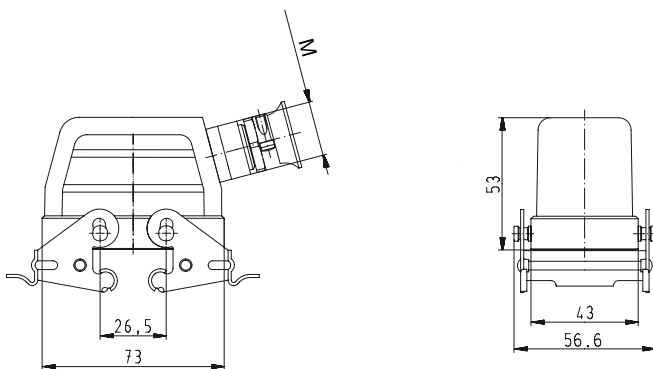


### Top cable entry



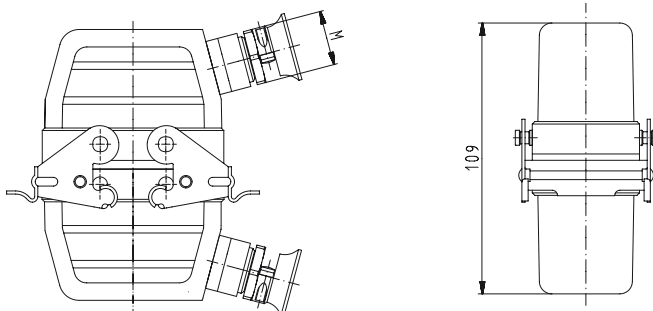
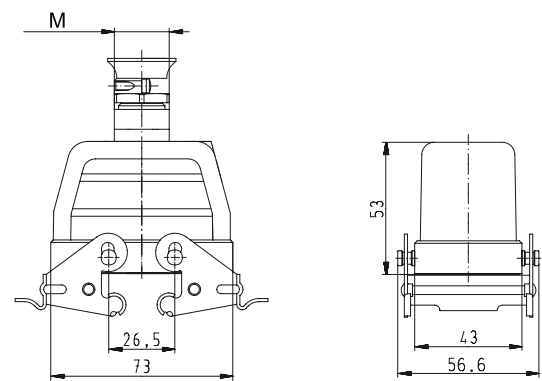
### Multipole connectors for cable-to-cable couplings with Locking levers and gasket

#### Lateral cable entry



### Multipole connectors for cable-to-cable couplings with Locking levers and gasket

#### Top cable entry



# 90 V Bases, double locking lever

## Size 10Ex

### 90 V Bases Size 10Ex



#### open

without cover  
with cover



#### closed

1 cable gland, lateral  
cable entry

without cover

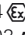


#### closed

1 cable gland, bottom

without cover



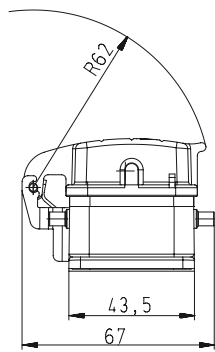
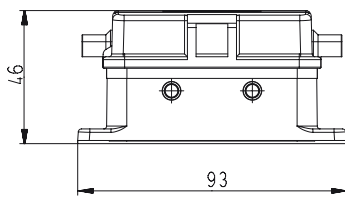
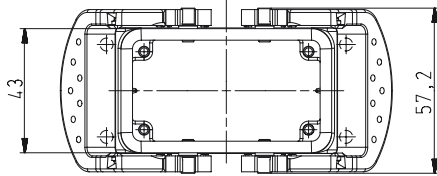
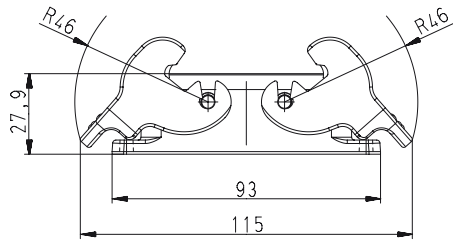
Description	Type	M	Part No.	P.U.
<b>90 V Bases, size 10Ex</b>				
<b>Open-bottom base</b>				
<b>Housing, die cast zinc alloy</b>				
without cover	EX GUT GA 10 09IA Z		70.320.1028.9	1
with cover, without Locking levers	EX GUT GE 10 09IA Z		70.325.1028.9	1
cover with gasket	EX GUT GX 10 09IA Z		99.706.3329.7	10
<b>Closed-bottom base</b>				
<b>2 cable glands, 2 x M20</b>				
<b>without cover</b>				
with cable gland, IP54, $\rightarrow \text{Ø} \leftarrow 3 - 14.5 \text{ mm}$	EX GUT GB 10 M20 09IA Z0	20	70.330.1036.0	1
<b>with cover, without Locking levers</b>				
with cable gland, IP54, $\rightarrow \text{Ø} \leftarrow 3 - 14.5 \text{ mm}$	EX GUT GF 10 M20 09IA Z0	20	70.340.1036.0	1
<b>2 cable glands, 2 x M25</b>				
<b>without cover</b>				
with cable gland, IP54, $\rightarrow \text{Ø} \leftarrow 7.5 - 19 \text{ mm}$	EX GUT GB 10 M25 09IA Z0	25	70.334.1036.0	1
<b>with cover</b>				
with cable gland, IP54, $\rightarrow \text{Ø} \leftarrow 7.5 - 19 \text{ mm}$	EX GUT GF 10 M25 09IA Z0	25	70.344.1036.0	1
<b>1 cable gland, left, 1 x M20</b>				
<b>without cover</b>				
with cable gland, IP54, $\rightarrow \text{Ø} \leftarrow 3 - 14.5 \text{ mm}$	EX GUT GC 10 M20 09IA Z0	20	70.331.1036.0	1
<b>with cover, without Locking levers</b>				
with cable gland, IP54, $\rightarrow \text{Ø} \leftarrow 3 - 14.5 \text{ mm}$	EX GUT GG 10 M20 09IA Z0	20	70.341.1036.0	1
<b>1 cable gland, left, 1 x M25</b>				
<b>without cover</b>				
with cable gland, IP54, $\rightarrow \text{Ø} \leftarrow 7.5 - 19 \text{ mm}$	EX GUT GC 10 M25 09IA Z0	25	70.335.1036.0	1
<b>with cover, without Locking levers</b>				
with cable gland, IP54, $\rightarrow \text{Ø} \leftarrow 7.5 - 19 \text{ mm}$	EX GUT GG 10 M25 09IA Z0	25	70.345.1036.0	1
<b>1 cable gland, bottom, 1 x M20</b>				
<b>without cover</b>				
with cable gland, IP54, $\rightarrow \text{Ø} \leftarrow 3 - 14.5 \text{ mm}$	EX GUT GD 10 M20 09IA Z0	20	70.333.1036.0	1
<b>with cover, without Locking levers</b>				
with cable gland, IP54, $\rightarrow \text{Ø} \leftarrow 3 - 14.5 \text{ mm}$	EX GUT GI 10 M20 09IA Z0	20	70.343.1036.0	1
<b>1 cable gland, bottom, 1 x M25</b>				
<b>without cover</b>				
with cable gland, IP54, $\rightarrow \text{Ø} \leftarrow 7.5 - 19 \text{ mm}$	EX GUT GD 10 M25 09IA Z0	25	70.337.1036.0	1
<b>with cover, without Locking levers</b>				
with cable gland, IP54, $\rightarrow \text{Ø} \leftarrow 7.5 - 19 \text{ mm}$	EX GUT GI 10 M25 09IA Z0	25	70.347.1036.0	1
<b>Technical data</b>				
Material metal/plastic	Die cast zinc alloy/Cover Polyamide			
Surface	silicon-free, light blue			
Locking levers	zinc-plated steel			
Gasket	NBR			
<b>Degree of protection</b>				
with latched locking levers	IP54			
with appropriate cable glands	IP65			
Temperature range	-20 – +60 °C			
<b>Contact inserts</b>				
See the product matrix				Page 24–25
<b>Special conditions for safe use:</b>				
1. The heavy duty connectors must be attached to a device in such a way that a minimum protection rating of IP54 is maintained in accordance with EN 60529.				
2. The plug connectors can be used in an ambient temperature ranges of -20 °C to +60 °C.				
See section "facts & DATA" for handling and assembly of the multipole connectors.				
0344  I M1 Ex ia I				
BVS 03 ATEX 184 X				
EN 60079-0:2006 EN 60079-11:2007 EN 50303:2000				



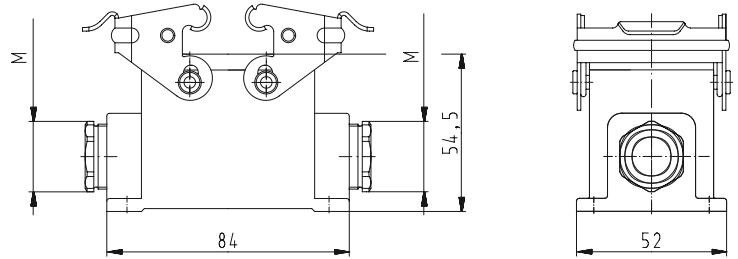
# Dimensions

## Bases

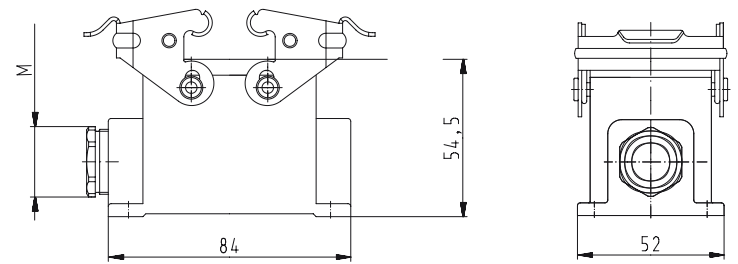
### open



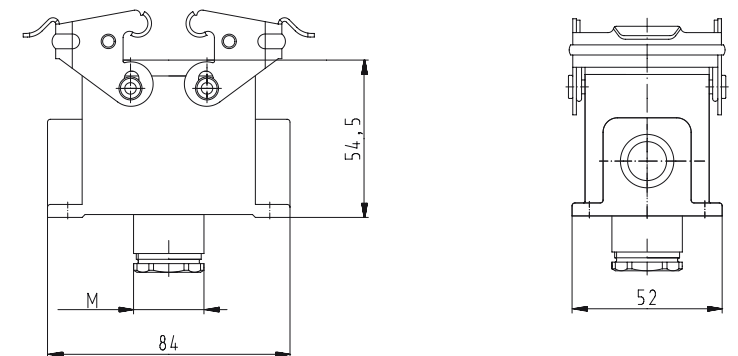
### closed, 2 cable glands



### closed, 1 cable gland, lateral cable entry



### closed, 1 cable gland, bottom





# 90 V Hoods, double locking lever Size 16Ex

## 90 V Hoods Size 16Ex



### Lateral cable entry

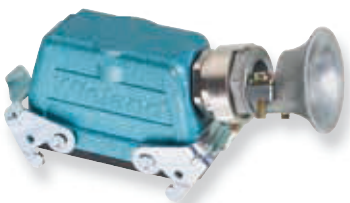


### Top cable entry



### Multipole connectors for cable-to-cable couplings with Locking levers and gasket

### Lateral cable entry



### Top cable entry



Description	Type	M	Part No.	P.U.
<b>90 V Hoods, size 16Ex</b>	<b>Housing, die cast zinc alloy</b>			
<b>Lateral cable entry M25</b>				
with threaded collar	EX GOT GA 16 M25 09IA Z1	25	70.350.1636.1	1
with strain relief, IP54 → Ø ← 14 – 20 mm	EX GOT GA 16 M25 09IA Z3	25	70.350.1636.3	1
<b>Lateral cable entry M32</b>				
with threaded collar	EX GOT GA 16 M32 09IA Z1	32	70.353.1636.1	1
with strain relief, IP54 → Ø ← 21 – 28.5 mm	EX GOT GA 16 M32 09IA Z3	32	70.353.1636.3	1
<b>Top cable entry M25</b>				
with threaded collar	EX GOT GC 16 M25 09IA Z1	25	70.352.1636.1	1
with strain relief, IP54 → Ø ← 14 – 20 mm	EX GOT GC 16 M25 09IA Z3	25	70.352.1636.3	1
<b>Top cable entry M32</b>				
with threaded collar	EX GOT GC 16 M25 09IA Z1	32	70.354.1636.1	1
with strain relief, IP54 → Ø ← 21 – 28.5 mm	EX GOT GC 16 M25 09IA Z3	32	70.354.1636.3	1
<b>90 V Hoods, size 16Ex with Locking levers without gasket</b>				
<b>Lateral cable entry M25</b>				
with threaded collar, with Locking levers	EX GOT GD 16 M25 09IA Z1	25	70.355.1636.1	1
with strain relief, IP54 → Ø ← 14 – 20 mm, with Locking levers	EX GOT GD 16 M25 09IA Z3	25	70.355.1636.3	1
<b>Lateral cable entry M32</b>				
with threaded collar, with Locking levers	EX GOT GD 16 M32 09IA Z1	32	70.358.1636.1	1
with strain relief, IP54 → Ø ← 21 – 28.5 mm, with Locking levers	EX GOT GD 16 M32 09IA Z3	32	70.358.1636.3	1
<b>Top cable entry M25</b>				
with threaded collar, with Locking levers	EX GOT GF 16 M25 09IA Z1	25	70.357.1636.1	1
with strain relief, IP54 → Ø ← 14 – 20 mm, with Locking levers	EX GOT GC 16 M25 09IA Z3	25	70.357.1636.3	1
<b>Top cable entry M32</b>				
with threaded collar, with Locking levers	EX GOT GF 16 M25 09IA Z1	32	70.359.1636.1	1
with strain relief, IP54 → Ø ← 21 – 28.5 mm, with Locking levers	EX GOT GF 16 M25 09IA Z3	32	70.359.1636.3	1
<b>Multipole connectors for cable-to-cable couplings with Locking levers and gasket</b>				
<b>Lateral cable entry M25</b>				
with strain relief, IP54 → Ø ← 14 – 20 mm	EX GOT GS 16 M25 09IA Z4	25	99.735.3329.7	1
<b>Lateral cable entry M32</b>				
with strain relief, IP54 → Ø ← 21 – 28.5 mm	EX GOT GS 16 M32 09IA Z4	32	99.736.3329.7	1
<b>Top cable entry M25</b>				
with strain relief, IP54 → Ø ← 14 – 20 mm	EX GOT GR 16 M25 09IA Z4	25	99.745.3329.7	1
<b>Top cable entry M32</b>				
with strain relief, IP54 → Ø ← 21 – 28.5 mm	EX GOT GR 16 M32 09IA Z4	32	99.746.3329.7	1
<b>Technical data</b>				
Material	Die cast zinc alloy			
Surface	silicon-free, light blue			
Locking levers	zinc-plated steel			
Gasket	NBR			
<b>Degree of protection</b>				
with latched locking levers	IP54			
with appropriate cable glands	IP65			
Temperature range	-20 – +60 °C			
<b>Contact inserts</b>				
See the product matrix	Page 24–25			

### Special conditions for safe use:

1. The heavy duty connectors must be attached to a device in such a way that a minimum protection rating of IP54 is maintained in accordance with EN 60529.
2. The plug connectors can be used in an ambient temperature ranges of -20 °C to +60 °C.

See section "facts & DATA" for handling and assembly of the multipole connectors.

0344  I M1 Ex ia I

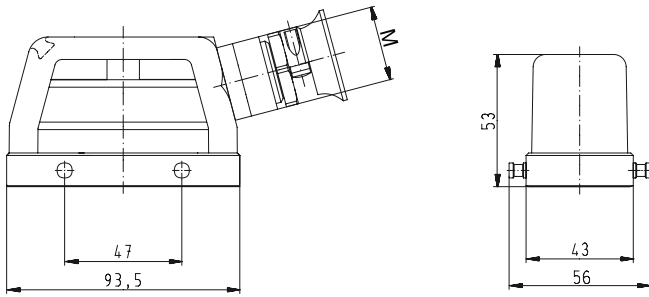
BVS 03 ATEX 184 X

EN 60079-0:2006 EN 60079-11:2007 EN 50303:2000

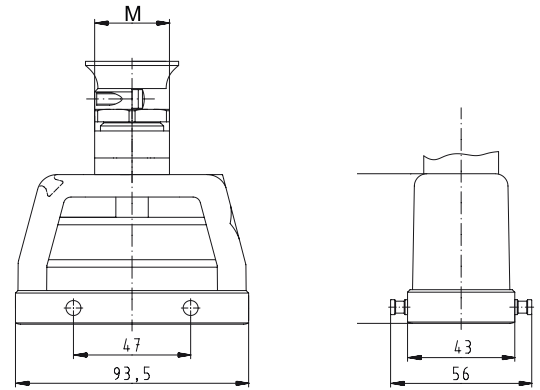
# Dimensions

## Hoods

### Lateral cable entry

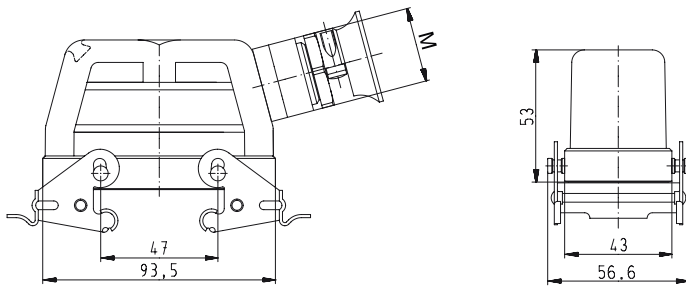


### Top cable entry



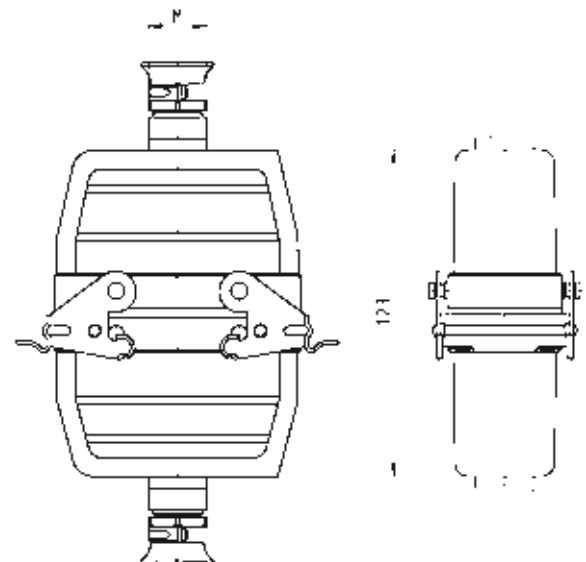
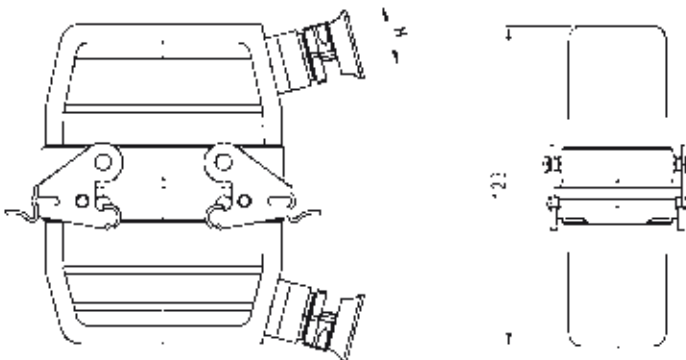
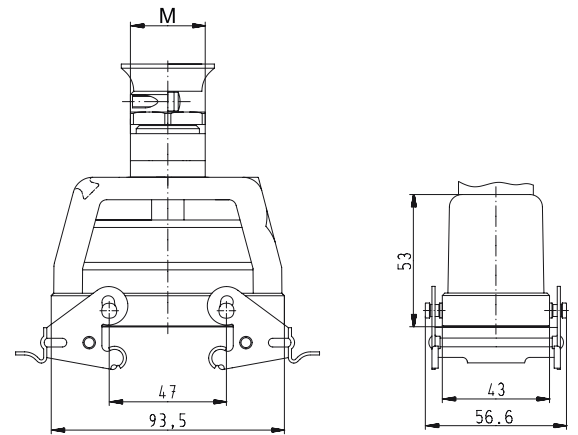
### Multipole connectors for cable-to-cable couplings with Locking levers and gasket

#### Lateral cable entry



### Multipole connectors for cable-to-cable couplings with Locking levers and gasket

#### Top cable entry



# 90 V Bases, double locking lever Size 16Ex

## 90 V Bases Size 16Ex



**open**  
without cover



Description	Type	M	Part No.	P.U.
<b>90 V Bases, size 16Ex</b>	<b>Housing, die cast zinc alloy</b>			
<b>Open-bottom base</b>				
without cover	EX GUT GA 16 09IA Z		70.320.1628.9	1
with cover, without Locking levers	EX GUT GE 16 09IA Z		70.325.1628.9	1
cover with gasket, without Locking levers	EX GUT GX 16 09IA Z		99.702.3329.7	10

Technical data	
Material metal/plastic	Die cast zinc alloy/Cover Polyamide
Surface	silicon-free, light blue
Locking levers	zinc-plated steel
Gasket	NBR
Degree of protection	
with latched locking levers	IP54
with appropriate cable glands	IP65
Temperature range	-20 – +60 °C

Contact inserts	
See the product matrix	Page 24–25

**Special conditions for safe use:**

1. The heavy duty connectors must be attached to a device in such a way that a minimum protection rating of IP54 is maintained in accordance with EN 60529.
2. The plug connectors can be used in an ambient temperature ranges of -20 °C to +60 °C.

See section "facts & DATA" for handling and assembly of the multipole connectors.

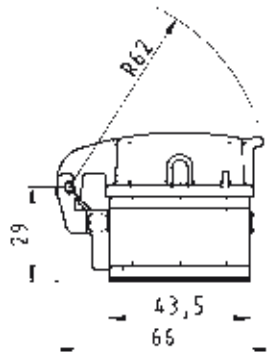
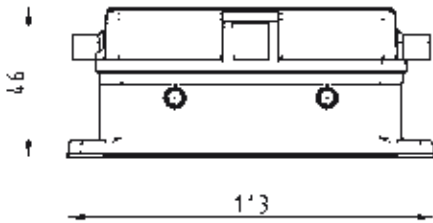
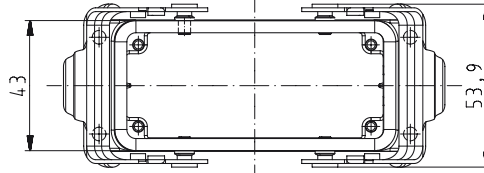
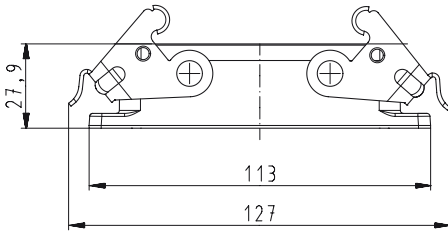
0344  I M1 Ex ia I

BVS 03 ATEX 184 X

EN 60079-0:2006 EN 60079-11:2007 EN 50303:2000

# Dimensions

## Bases open



# 90 V Hoods, double locking lever Size 24Ex

## 90 V Hoods Size 24Ex



### Lateral cable entry



### Top cable entry



### Multipole connectors for cable-to-cable couplings with Locking levers and gasket

### Lateral cable entry



### Top cable entry

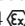


Description	Type	M	Part No.	P.U.
<b>90 V Hoods, size 24Ex</b>	<b>Housing, die cast zinc alloy</b>			
<b>Lateral cable entry M25</b>				
with threaded collar	EX GOT GA 24 M25 09IA Z1	25	70.350.2436.1	1
with strain relief, IP54 → Ø ← 14 – 20 mm	EX GOT GA 24 M25 09IA Z3	25	70.350.2436.3	1
<b>Lateral cable entry M32</b>				
with threaded collar	EX GOT GA 24 M32 09IA Z1	32	70.353.2436.1	1
with strain relief, IP54 → Ø ← 21 – 28.5 mm	EX GOT GA 24 M32 09IA Z3	32	70.353.2436.3	1
<b>Top cable entry M25</b>				
with threaded collar	EX GOT GC 24 M25 09IA Z1	25	70.352.2436.1	1
with strain relief, IP54 → Ø ← 14 – 20 mm	EX GOT GC 24 M25 09IA Z3	25	70.352.2436.3	1
<b>Top cable entry M32</b>				
with threaded collar	EX GOT GC 24 M25 09IA Z1	32	70.354.2436.1	1
with strain relief, IP54 → Ø ← 21 – 28.5 mm	EX GOT GC 24 M25 09IA Z3	32	70.354.2436.3	1
<b>90 V Hoods, size 24Ex with Locking levers without gasket</b>				
<b>Lateral cable entry M25</b>				
with threaded collar, with Locking levers	EX GOT GD 24 M25 09IA Z1	25	70.355.2436.1	1
with strain relief, IP54 → Ø ← 14 – 20 mm, with Locking levers	EX GOT GD 24 M25 09IA Z3	25	70.355.2436.3	1
<b>Lateral cable entry M32</b>				
with threaded collar, with Locking levers	EX GOT GD 24 M32 09IA Z1	32	70.358.2436.1	1
with strain relief, IP54 → Ø ← 21 – 28.5 mm, with Locking levers	EX GOT GD 24 M32 09IA Z3	32	70.358.2436.3	1
<b>Top cable entry M25</b>				
with threaded collar, with Locking levers	EX GOT GF 24 M25 09IA Z1	25	70.357.2436.1	1
with strain relief, IP54 → Ø ← 14 – 20 mm, with Locking levers	EX GOT GC 24 M25 09IA Z3	25	70.357.2436.3	1
<b>Top cable entry M32</b>				
with threaded collar, with Locking levers	EX GOT GF 24 M25 09IA Z1	32	70.359.2436.1	1
with strain relief, IP54 → Ø ← 21 – 28.5 mm, with Locking levers	EX GOT GF 24 M25 09IA Z3	32	70.359.2436.3	1
<b>Multipole connectors for cable-to-cable couplings with Locking levers and gasket</b>				
<b>Lateral cable entry M25</b>				
with strain relief, IP54 → Ø ← 14 – 20 mm	EX GOT GS 24 M25 09IA Z4	25	99.737.3329.7	5
<b>Lateral cable entry M32</b>				
with strain relief, IP54 → Ø ← 21 – 28.5 mm	EX GOT GS 24 M32 09IA Z4	32	99.738.3329.7	5
<b>Top cable entry M25</b>				
with strain relief, IP54 → Ø ← 14 – 20 mm	EX GOT GR 24 M25 09IA Z4	25	99.747.3329.7	4
<b>Top cable entry M32</b>				
with strain relief, IP54 → Ø ← 21 – 28.5 mm	EX GOT GR 24 M32 09IA Z4	32	99.748.3329.7	4
<b>Technical data</b>				
Material	Die cast zinc alloy			
Surface	silicon-free, light blue			
Locking levers	zinc-plated steel			
Gasket	-			
<b>Degree of protection</b>				
with latched locking levers	IP54			
with appropriate cable glands	IP65			
Temperature range	-20 – +60 °C			
<b>Contact inserts</b>				
See the product matrix			Page 24–25	

### Special conditions for safe use:

1. The heavy duty connectors must be attached to a device in such a way that a minimum protection rating of IP54 is maintained in accordance with EN 60529.
2. The plug connectors can be used in an ambient temperature ranges of -20 °C to +60 °C.

See section "facts & DATA" for handling and assembly of the multipole connectors.

0344  I M1 Ex ia I

BVS 03 ATEX 184 X

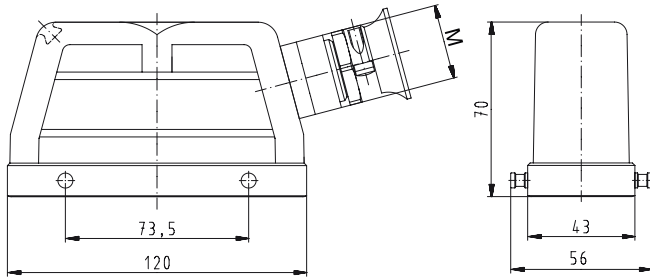
EN 60079-0:2006 EN 60079-11:2007

EN 50303:2000

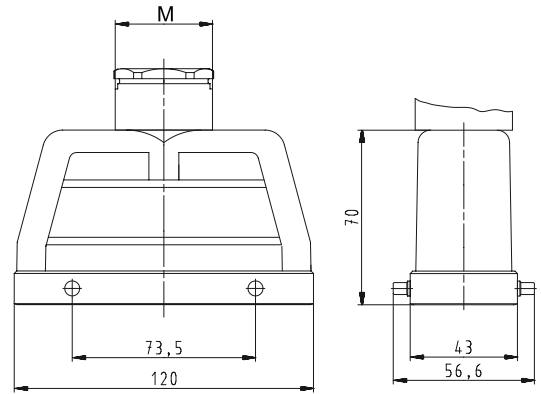
# Dimensions

## Hoods

### Lateral cable entry

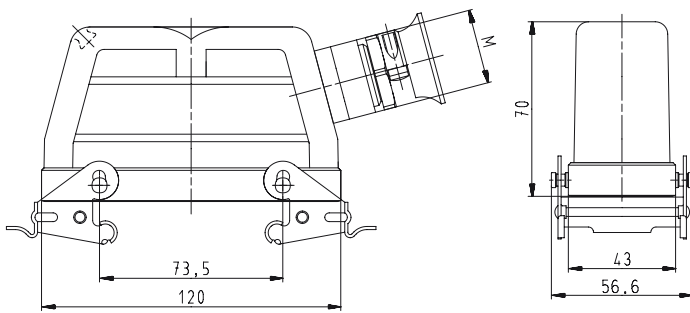


### Top cable entry



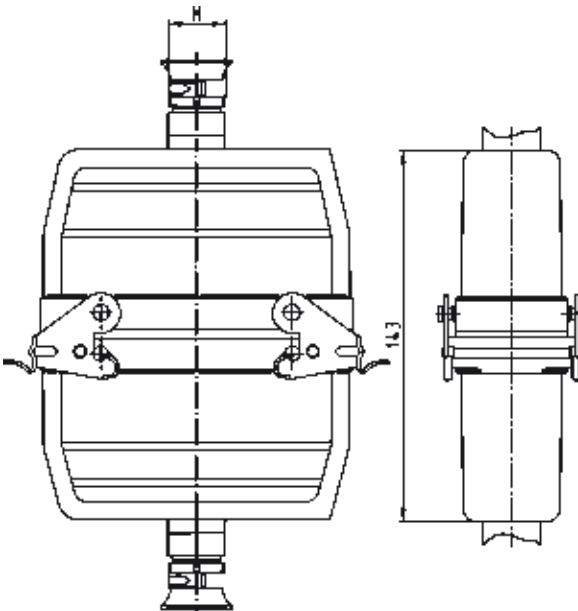
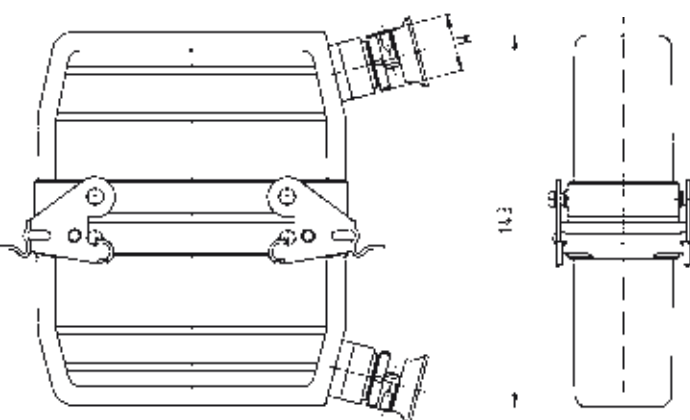
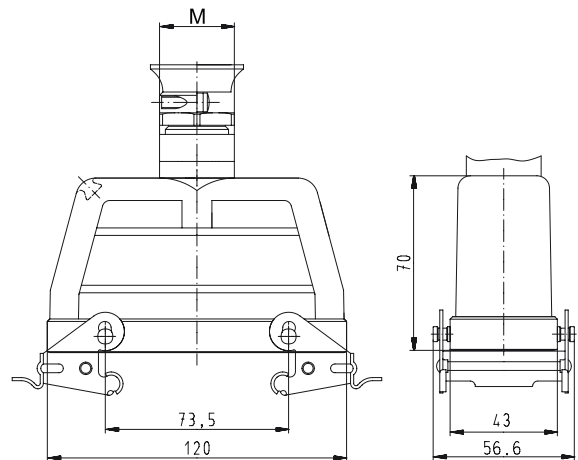
### Multipole connectors for cable-to-cable couplings with Locking levers and gasket

#### Lateral cable entry



### Multipole connectors for cable-to-cable couplings with Locking levers and gasket

#### Top cable entry



# 90 V Bases, double locking lever

## Size 24Ex

### 90 V Bases Size 24Ex



#### open without cover



#### closed 1 cable gland without cover



#### closed 1 cable gland, bottom without cover



Description	Type	M	Part No.	P.U.
<b>90 V Bases, size 24Ex</b>				
<b>Open-bottom base</b>				
without cover	EX GUT GA 24 09IA Z		70.320.2428.9	1
with cover, without Locking levers	EX GUT GE 24 09IA Z		70.325.2428.9	1
cover with gasket, without Locking levers	EX GUT GX 24 09IA Z		99.706.3329.7	10
<b>Closed-bottom base</b>				
<b>2 cable glands, 2 x M25</b>				
<b>without cover</b>				
with cable gland, IP54, $\rightarrow \varnothing \leftarrow$ 7.5 – 19 mm	EX GUT GB 24 M25 09IA Z0	25	70.330.2436.0	1
<b>with cover, without Locking levers</b>				
with cable gland, IP54, $\rightarrow \varnothing \leftarrow$ 7.5 – 19 mm	EX GUT GF 24 M25 09IA Z0	25	70.340.2436.0	1
<b>1 cable gland, left, 1 x M25</b>				
<b>without cover</b>				
with cable gland, IP54, $\rightarrow \varnothing \leftarrow$ 7.5 – 19 mm	EX GUT GC 24 M25 09IA Z0	25	70.331.2436.0	1
<b>with cover, without Locking levers</b>				
with cable gland, IP54, $\rightarrow \varnothing \leftarrow$ 7.5 – 19 mm	EX GUT GG 24 M25 09IA Z0	25	70.341.2436.0	1
<b>1 cable gland, bottom, 1 x M25</b>				
<b>without cover</b>				
with cable gland, IP54, $\rightarrow \varnothing \leftarrow$ 7.5 – 19 mm	EX GUT GD 24 M25 09IA Z0	25	70.333.2436.0	1
<b>with cover, without Locking levers</b>				
with cable gland, IP54, $\rightarrow \varnothing \leftarrow$ 7.5 – 19 mm	EX GUT GI 24 M25 09IA Z0	25	70.343.2436.0	1
<b>Technical data</b>				
Material	Die cast zinc alloy			
Surface	silicon-free, light blue			
Locking levers	zinc-plated steel			
Gasket	NBR			
<b>Degree of protection</b>				
with latched locking levers	IP54			
with appropriate cable glands	IP65			
Temperature range	-20 – +60 °C			
<b>Contact inserts</b>				
See the product matrix				Page 24–25

#### Special conditions for safe use:

1. The heavy duty connectors must be attached to a device in such a way that a minimum protection rating of IP54 is maintained in accordance with EN 60529.
2. The plug connectors can be used in an ambient temperature ranges of -20 °C to +60 °C.

See section "facts & DATA" for handling and assembly of the multipole connectors.

0344  I M1 Ex ia I

BVS 03 ATEX 184 X

EN 60079-0:2006 EN 60079-11:2007

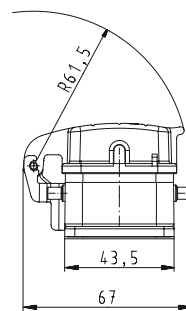
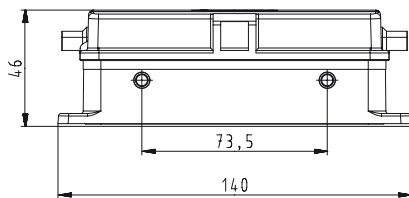
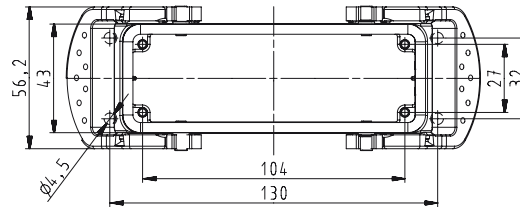
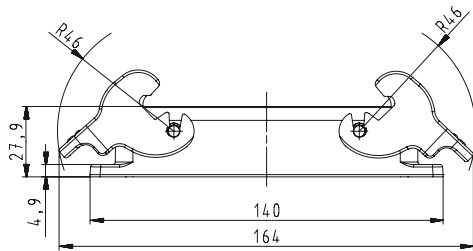
EN 50303:2000



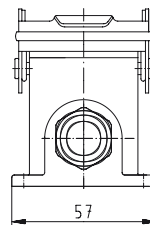
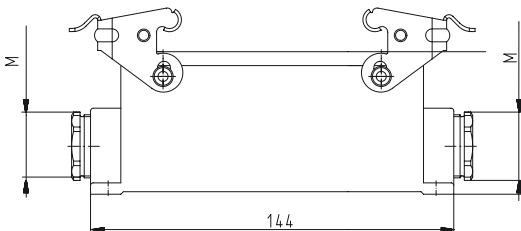
# Dimensions

## Bases

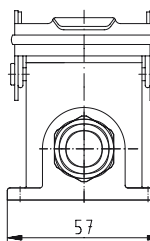
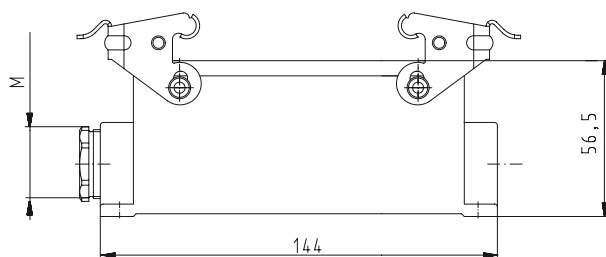
### open



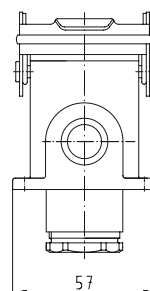
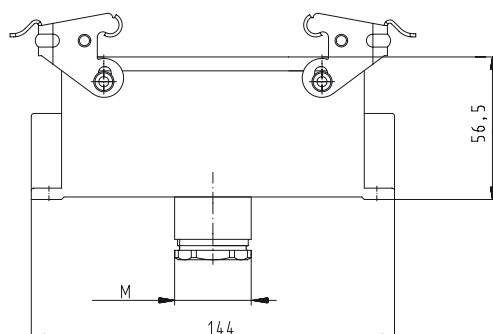
### closed, 2 cable glands



### closed, 1 cable gland



### closed, 1 cable gland, bottom



# 90 V Hoods, single locking lever, Size 48Ex

## 90 V Hoods Size 48Ex



### Lateral cable entry



### Top cable entry



Description	Type	M	Part No.	P.U.
<b>90 V Hoods, size 48Ex</b>				
<b>Lateral cable entry M32</b>				
with threaded collar	EX GOT GG 48 M32 09IA Z1	32	70.350.4836.1	1
with strain relief, IP54 → Ø ← 21 – 28.5 mm	EX GOT GG 48 M32 09IA Z3	32	70.350.4836.3	1
<b>Lateral cable entry M40</b>				
with threaded collar	EX GOT GG 48 M40 09IA Z1	40	70.353.4836.1	1
<b>Top cable entry M32</b>				
with threaded collar	EX GOT GI 48 M32 09IA Z1	32	70.352.4836.1	1
with strain relief, IP54 → Ø ← 21 – 28.5 mm	EX GOT GI 48 M32 09IA Z3	32	70.352.4836.3	1
<b>Top cable entry M40</b>				
with threaded collar	EX GOT GI 48 M40 09IA Z1	40	70.354.4836.1	1
<b>Technical data</b>				
Material	Die cast zinc alloy			
Surface	silicon-free, light blue			
Locking levers	–			
Gasket	–			
<b>Degree of protection</b>				
with latched locking levers	IP54			
with appropriate cable glands	IP65			
Temperature range	-20 – +60 °C			
<b>Contact inserts</b>				
See the product matrix			Page 24–25	

#### Special conditions for safe use:

1. The heavy duty connectors must be attached to a device in such a way that a minimum protection rating of IP54 is maintained in accordance with EN 60529.
2. The plug connectors can be used in an ambient temperature ranges of -20 °C to +60 °C.

See section "facts & DATA" for handling and assembly of the multipole connectors.

0344  I M1 Ex ia I

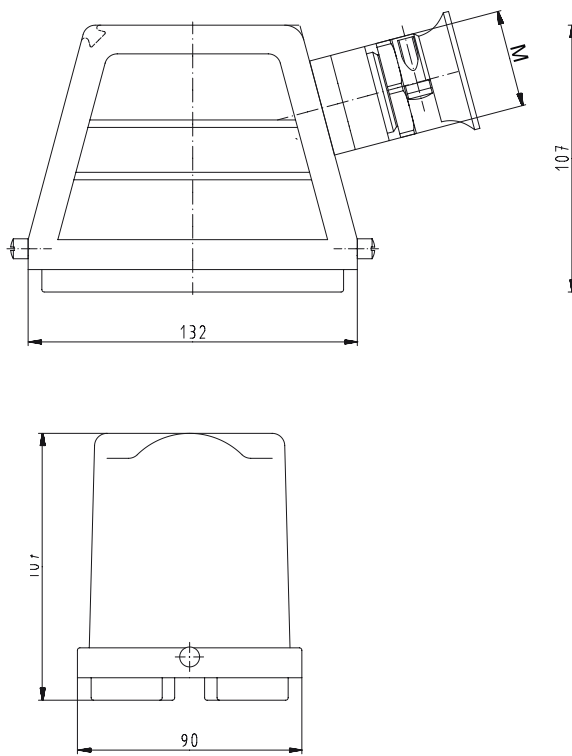
BVS 03 ATEX 184 X

EN 60079-0:2006 EN 60079-11:2007 EN 50303:2000

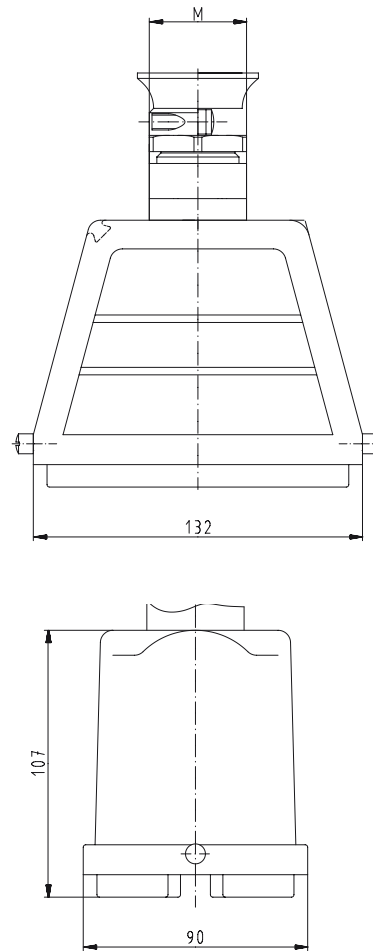
# Dimensions

## Hoods

### Lateral cable entry



### Top cable entry



# 90 V Bases, single locking lever, Size 48Ex

## 90 V Bases Size 48Ex



**open**  
without cover  
with cover



**closed**  
without cover  
with cover



Description	Type	M	Part No.	P.U.
<b>90 V Bases, size 48Ex</b>				
<b>Open-bottom base</b>				
without cover	EX GUT GK48 09IA Z		70.320.2428.9	1
with metal cover	EX GUT GP48 09IA Z		70.325.2428.9	1
<b>Closed-bottom base</b>				
<b>1 cable gland, left, 1 x M32</b>				
<b>without cover</b>				
with strain relief, IP54 → Ø ← 21 – 28.5 mm	BAS GUT GM 48 M32 09IA Z3	32	70.331.4836.3	1
<b>with metal cover</b>				
with strain relief, IP54 → Ø ← 21 – 28.5 mm	BAS GUT GS 48 M32 09IA Z3	32	70.341.4836.3	1
<b>1 cable gland, left, 1 x M40</b>				
<b>with metal cover</b>				
with cable gland, IP54, → Ø ← 27 – 37 mm	BAS GUT GR 48 M40 09IA Z3	40	70.344.4836.4	1
<b>Technical data</b>				
Material	Die cast zinc alloy			
Surface	silicon-free, light blue			
Locking levers	–			
Gasket	–			
<b>Degree of protection</b>				
with latched locking levers	IP54			
with appropriate cable glands	IP65			
Temperature range	-20 – +60 °C			
<b>Contact inserts</b>				
See the product matrix				Page 24–25

**Special conditions for safe use:**

1. The heavy duty connectors must be attached to a device in such a way that a minimum protection rating of IP54 is maintained in accordance with EN 60529.
2. The plug connectors can be used in an ambient temperature ranges of -20 °C to +60 °C.

See section "facts & DATA" for handling and assembly of the multipole connectors.

0344  I M1 Ex ia I

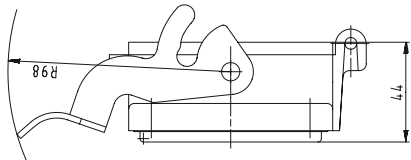
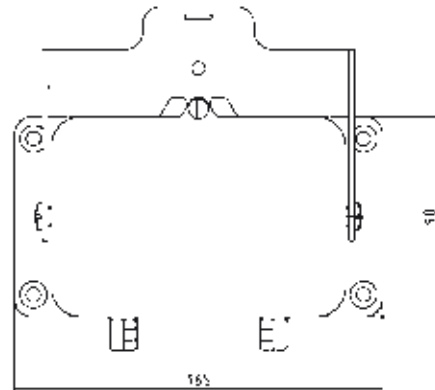
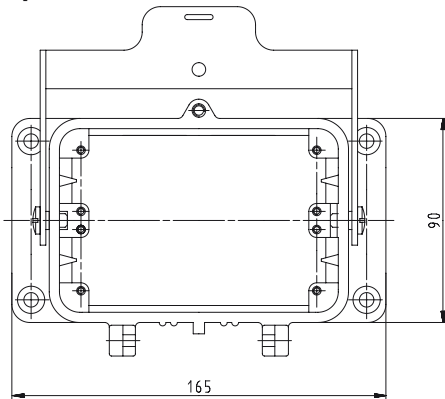
BVS 03 ATEX 184 X

EN 60079-0:2006 EN 60079-11:2007 EN 50303:2000

# Dimensions

## Bases

### open



### closed

