

# Modular connector system 3-pole

## Modular inserts *revos*FLEX

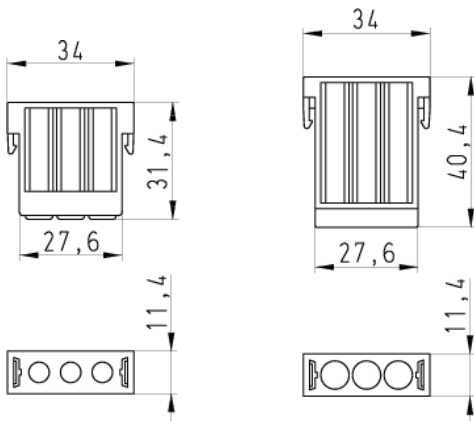


### 3-pole



Description	Type	Part No.	P.U.
<b>Modular inserts <i>revos</i>FLEX</b>			
<b>3-pole</b>			
Male insert	FLE STC 3 69	78.014.0353.0	10
Female insert	FLE BUC 3 69	78.004.0353.0	10
<b>Contacts</b>			
		mm <sup>2</sup> / AWG, turned Ø 3.6 mm	
Male insert, Ag (Crimping die B)	1.5 / 16	05.544.1829.8	100
Female insert, Ag (Crimping die B)	1.5 / 16	02.125.2929.8	100
Male insert, Ag (Crimping die B)	2.5 / 14	05.544.1929.8	100
Female insert, Ag (Crimping die B)	2.5 / 14	02.125.3029.8	100
Male insert, Ag (Crimping die D)	4 / 12	05.544.3129.8	100
Female insert, Ag (Crimping die D)	4 / 12	02.125.3129.8	100
Male insert, Ag (Crimping die D)	6 / 10	05.544.3229.8	100
Female insert, Ag (Crimping die D)	6 / 10	02.125.3229.8	100
Male insert, Ag (Crimping die D)	10 / 8	05.544.3329.8	100
Female insert, Ag (Crimping die D)	10 / 8	02.125.3329.8	100
<b>Technical data</b>			
Rated voltage	630 V		
Rated voltage according to UL/CSA	600 V		
Rated impulse voltage	8 kV		
Rated current	40 A (UL 40 A, CSA 35 A)		
Degree of pollution	3		
Insulation strip length	10 mm		
Contact resistance	≤ 1 mΩ		
Mating cycles	500		
Insulating material	Polycarbonate, halogen-free		
Flammability	UL 94 V-0		
Temperature range	-40 – +120 °C		
<b>Derating curve</b>	Page 105		
Description	Type	Part No.	P.U.
<b>Accessories</b>			
Crimping tool		95.101.0800.0	1
Crimping die	"B"	05.502.2100.0	1
Crimping die	"D"	05.502.2300.0	1
Contact positioner	"1"	05.502.3100.0	1
Extraction tool		05.502.0910.0	1
Extraction tool for modular inserts		05.502.1010.0	1

## Dimensions



# Modular connector system 4-pole + ground

## Modular inserts *revos*FLEX

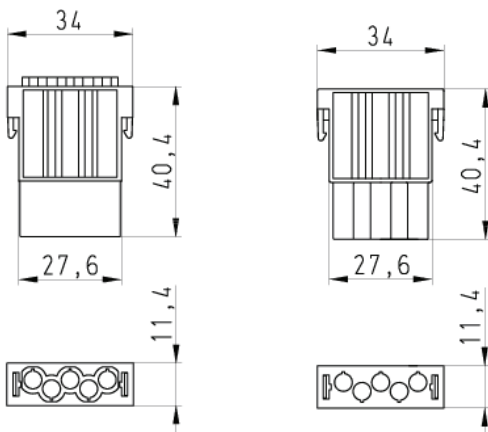


### 4-pole + ground



Description	Type	Part No.	P.U.
<b>Modular inserts <i>revos</i>FLEX</b>			
Male insert	<b>4-pole + ground</b> FLE STC 4P 1K	78.013.0453.0	10
Female insert	FLE BUC 4P 1K	78.003.0453.0	10
<b>Contacts</b>			
	mm <sup>2</sup> / AWG, stamped Ø 2.5 mm		
Male insert, Ag	0.5 – 1.5 / 20 – 16	05.544.3429.8	100
Female insert, Ag	0.5 – 1.5 / 20 – 16	02.125.3429.8	100
Male insert, Ag	1.5 – 2.5 / 16 – 14	05.544.3529.8	100
Female insert, Ag	1.5 – 2.5 / 16 – 14	02.125.3529.8	100
<b>Technical data</b>			
Rated voltage	1000 V		
Rated voltage according to UL/CSA	600 V		
Rated impulse voltage	8 kV		
Rated current	16 A (UL 13 A, CSA 16 A)		
Degree of pollution	3		
Insulation strip length	4 mm		
Contact resistance	≤ 5 mΩ		
Mating cycles	500		
Insulating material	Polyamide 6.6 GF, halogen-free		
Flammability	UL 94 V-0		
Temperature range	-40 – +120 °C		
<b>Derating curve</b>	Page 105		
Description	Type	Part No.	P.U.
<b>Accessories</b>			
Crimping tool		95.101.0800.0	1
Crimping die	"C"	05.502.2200.0	1
Contact positioner	"2"	05.502.3200.0	1
Extraction tool		05.502.0610.0	1
Extraction tool for modular inserts		05.502.1010.0	1

## Dimensions

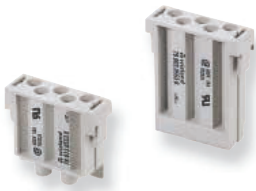


# Modular connector system 5-pole

## Modular inserts *revos*FLEX

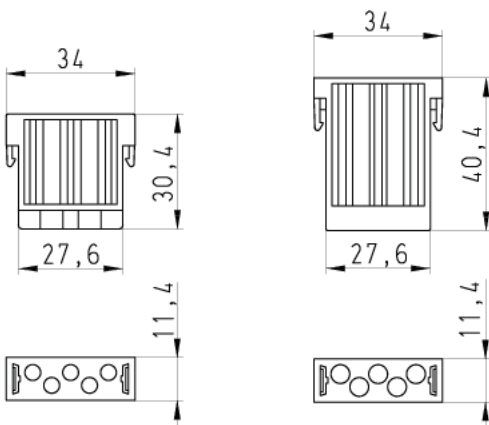


### 5-pole



Description	Type	Part No.	P.U.
<b>Modular inserts <i>revos</i>FLEX</b>			
<b>5-pole</b>			
Male insert	FLE STC 5 25	78.013.0553.0	10
Female insert	FLE BUC 5 5	78.003.0553.0	10
<b>Contacts</b>			
		mm <sup>2</sup> / AWG, turned Ø 2.5 mm	
Male insert, Ag	0.5 / 20	05.544.3629.8	100
Female insert, Ag	0.5 / 20	02.125.3629.8	100
Male insert, Ag	0.75 – 1.0 / 18	05.544.3729.8	100
Female insert, Ag	0.75 – 1.0 / 18	02.125.3729.8	100
Male insert, Ag	1.5 / 16	05.544.3829.8	100
Female insert, Ag	1.5 / 16	02.125.3829.8	100
Male insert, Ag	2.5 / 14	05.544.3929.8	100
Female insert, Ag	2.5 / 14	02.125.3929.8	100
Male insert, Ag	4 / 12	05.544.4029.8	100
Female insert, Ag	4 / 12	02.125.4029.8	100
<b>Technical data</b>			
Rated voltage	250 V		
Rated voltage according to UL/CSA	UL 400 V, CSA 600 V		
Rated impulse voltage	6 kV		
Rated current	20 A (UL 20 A, CSA 16 A)		
Degree of pollution	3		
Insulation strip length	8 mm		
Contact resistance	≤ 2 mΩ		
Mating cycles	500		
Insulating material	Polycarbonate, halogen-free		
Flammability	UL 94 V-0		
Temperature range	-40 – +120 °C		
<b>Derating curve</b>	Page 105		
Description	Type	Part No.	P.U.
<b>Accessories</b>			
Crimping tool		95.101.0800.0	1
Crimping die	"B"	05.502.2100.0	1
Contact positioner	"1"	05.502.3100.0	1
Extraction tool		05.502.0810.0	1
Extraction tool for modular inserts		05.502.1010.0	1

## Dimensions



# Modular connector system 10-pole

## Modular inserts *revos*FLEX

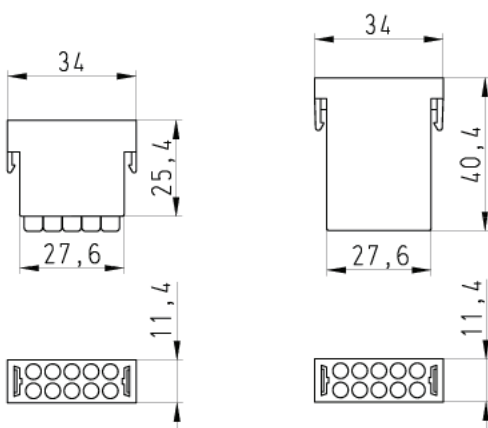


### 10-pole



Description	Type	Part No.	P.U.
<b>Modular inserts <i>revos</i>FLEX</b>			
<b>10-pole</b>			
Male insert	FLE STC 10 25	78.012.1053.0	10
Female insert	FLE BUC 10 5	78.002.1053.0	10
<b>Contacts</b>			
	mm <sup>2</sup> / AWG, turned Ø 1.6 mm		
Male insert, Ag	0.14 – 0.37 / 26 – 22	05.544.4129.8	100
Female insert, Ag	0.14 – 0.37 / 26 – 22	02.125.4129.8	100
Male insert, Ag	0.5 / 20	05.544.4229.8	100
Female insert, Ag	0.5 / 20	02.125.4229.8	100
Male insert, Ag	0.75 – 1.0 / 18	05.544.4329.8	100
Female insert, Ag	0.75 – 1.0 / 18	02.125.4329.8	100
Male insert, Ag	1.5 / 16	05.544.4429.8	100
Female insert, Ag	1.5 / 16	02.125.4429.8	100
Male insert, Ag	2.5 / 14	05.544.4529.8	100
Female insert, Ag	2.5 / 14	02.125.4529.8	100
Male insert, LWL POF	Ø 1.6 mm	05.544.8121.0	5
Female insert, LWL POF	Ø 1.6 mm	02.125.2421.0	5
<b>Technical data</b>			
Rated voltage	250 V		
Rated voltage according to UL/CSA	UL 240 V, CSA 600 V		
Rated impulse voltage	4 kV		
Rated current	10 A		
Degree of pollution	3		
Insulation strip length	8 mm		
Contact resistance	≤ 5 mΩ		
Mating cycles	500		
Insulating material	Polycarbonate, halogen-free		
Flammability	UL 94 V-0		
Temperature range	-40 – +120 °C		
<b>Derating curve</b>	Page 105		
Description	Type	Part No.	P.U.
<b>Accessories</b>			
Crimping tool		95.101.0800.0	1
Crimping die	"B"	05.502.2100.0	1
Contact positioner	"1"	05.502.3100.0	1
Extraction tool		05.502.0710.0	1
Extraction tool for modular inserts		05.502.1010.0	1
Set of tools for optical fiber POF contacts		95.101.2000.0	1

## Dimensions



# Modular connector system

## Modular inserts *revos*<sup>FLEX</sup>



### 20-pole



Description	Type	Part No.	P.U.
<b>Modular inserts <i>revos</i><sup>FLEX</sup></b>			
Male insert	FLE STC 20 10	78.011.2053.0	10
Female insert	FLE BUC 20 10	78.001.2053.0	10
<b>Contacts</b>			
	mm <sup>2</sup> / AWG, stamped Ø 1.0 mm		
Male insert, Au	0.09 – 0.25 / 28 – 24	05.544.4629.7	100
Female insert, Au	0.09 – 0.25 / 28 – 24	02.125.4629.7	100
Male insert, Au	0.25 – 0.5 / 24 – 20	05.544.4729.7	100
Female insert, Au	0.25 – 0.5 / 24 – 20	02.125.4729.7	100

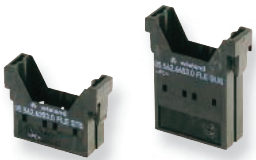
<b>Technical data</b>	
Rated voltage	100 V
Rated voltage according to UL/CSA	60 V
Rated impulse voltage	1,5 kV
Rated current	4 A (UL, CSA 5 A)
Degree of pollution	3
Insulation strip length	3 mm
Contact resistance	≤ 5 mΩ
Mating cycles	500
Insulating material	Polycarbonate, halogen-free
Flammability	UL 94 V-0
Temperature range	-40 – +120 °C
<b>Derating curve</b>	Page 105

Description	Type	Part No.	P.U.
<b>Accessories</b>			
Crimping tool		95.101.0800.0	1
Crimping die	"A"	05.502.2000.0	1
Contact positioner	"4"	05.502.3800.0	1
Extraction tool		05.502.0410.0	1
Extraction tool for modular inserts		05.502.1010.0	1

## Modular inserts *revos*<sup>FLEX</sup>



### Blind module

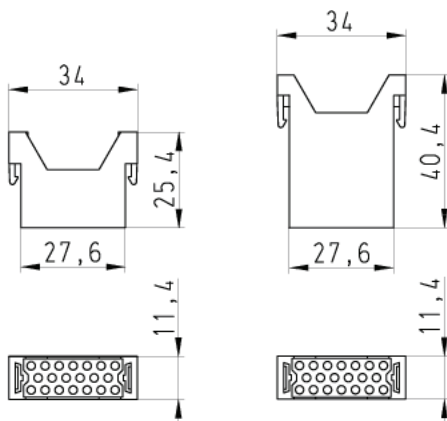


Description	Type	Part No.	P.U.
<b>Modular inserts <i>revos</i><sup>FLEX</sup></b>			
Male	<b>Blind module</b>	05.562.6353.0	10
Female		05.562.6453.0	10

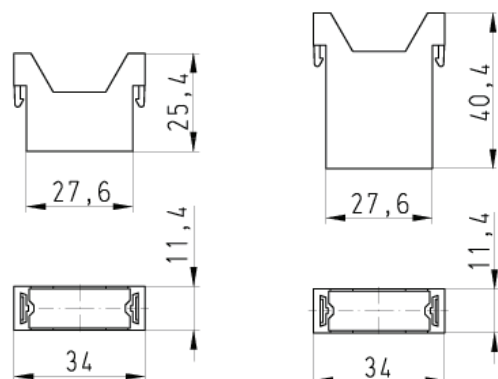
<b>Technical data</b>	
Insulating material	Polyamide 66, halogen-free
Flammability	UL 94 V-0
Temperature range	-40 – +120 °C

## Dimensions

### 20-pole



### Blind module

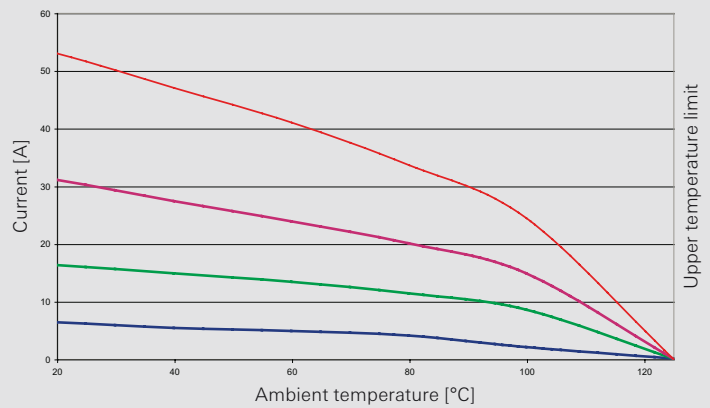


# Derating curve

## Derating curve according to IEC 60512 sec. 3

revos FLEX  
Size 6,  
equipped with 2 modules

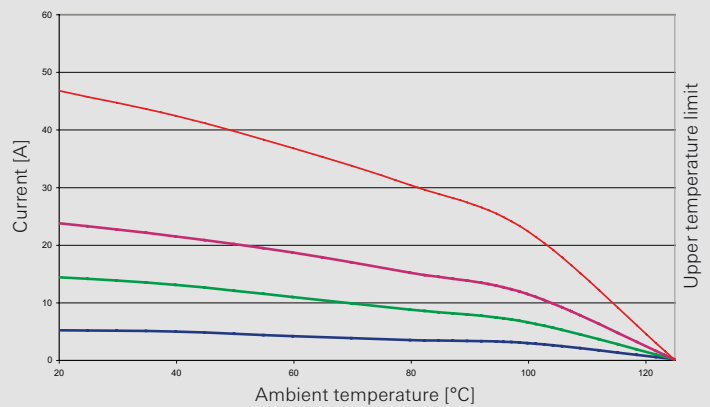
- Contact Ø 1 mm stamped, 0.5 mm<sup>2</sup>, 2x20 poles
- Contact Ø 1.6 mm turned, 1.5 mm<sup>2</sup>, 2x10 poles
- Contact Ø 2.5 mm turned, 2.5 mm<sup>2</sup>, 2x5 poles
- Contact Ø 3.6 mm turned, 6 mm<sup>2</sup>, 2x3 poles



## Derating curve according to IEC 60512 sec. 3

revos FLEX  
Size 10,  
equipped with 3 modules

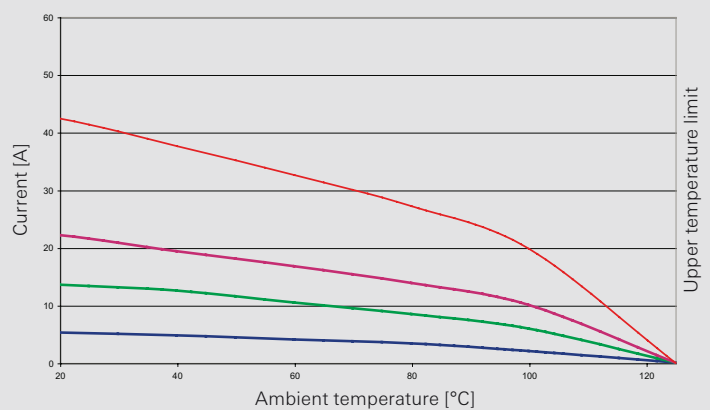
- Contact Ø 1 mm stamped, 0.5 mm<sup>2</sup>, 3x20 poles
- Contact Ø 1.6 mm turned, 1.5 mm<sup>2</sup>, 3x10 poles
- Contact Ø 2.5 mm turned, 2.5 mm<sup>2</sup>, 3x5 poles
- Contact Ø 3.6 mm turned, 6 mm<sup>2</sup>, 3x3 poles



## Derating curve according to IEC 60512 sec. 3

revos FLEX  
Size 16,  
equipped with 5 modules

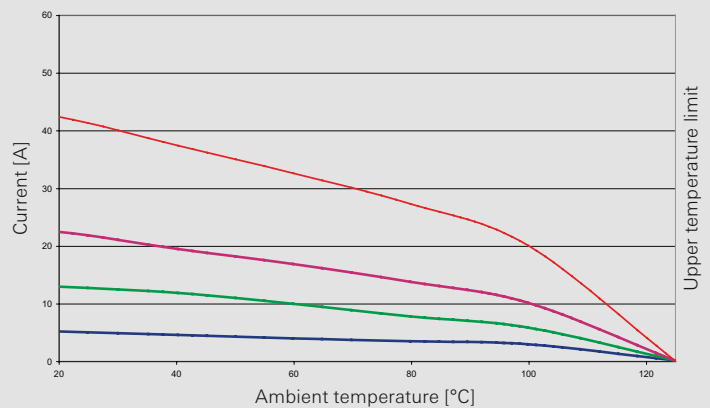
- Contact Ø 1 mm stamped, 0.5 mm<sup>2</sup>, 5x20 poles
- Contact Ø 1.6 mm turned, 1.5 mm<sup>2</sup>, 5x10 poles
- Contact Ø 2.5 mm turned, 2.5 mm<sup>2</sup>, 5x5 poles
- Contact Ø 3.6 mm turned, 6 mm<sup>2</sup>, 5x3 poles



## Derating curve according to IEC 60512 sec. 3

revos FLEX  
Size 24,  
equipped with 7 modules

- Contact Ø 1 mm stamped, 0.5 mm<sup>2</sup>, 7x20 poles
- Contact Ø 1.6 mm turned, 1.5 mm<sup>2</sup>, 7x10 poles
- Contact Ø 2.5 mm turned, 2.5 mm<sup>2</sup>, 7x5 poles
- Contact Ø 3.6 mm turned, 6 mm<sup>2</sup>, 7x3 poles



# Modular connector system

## Modular inserts *revos*FLEX

### Pneumatic module 1 connection



### Pneumatic module 2 connections

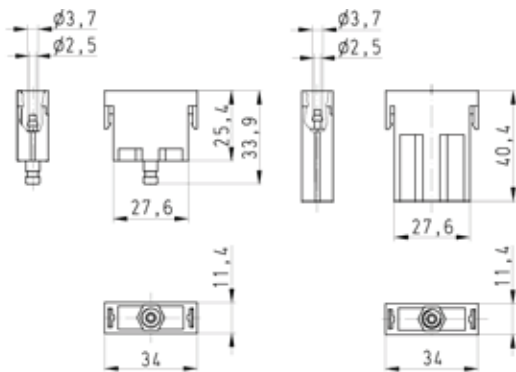


Description	Type	Part No.	P.U.
<b>Modular inserts <i>revos</i>FLEX</b>			
<b>1 connection</b>			
Male insert	FLE STP 1 2.5	78.913.0153.0	5
Female insert with valve	FLE BUP 1 2.5	78.903.0153.0	5
<b>2 connections</b>			
Male insert	FLE STP 2 2.5	78.913.0253.0	5
Female insert with valve	FLE BUP 2 2.5	78.903.0253.0	5
<b>Modular inserts <i>revos</i>FLEX</b>			
<b>1 connection</b>			
Male insert	FLE STP 1 4	78.914.0153.0	5
Female insert with valve	FLE BUP 1 4	78.904.0153.0	5
<b>2 connections</b>			
Male insert	FLE STP 2 4	78.914.0253.0	5
Female insert with valve	FLE BUP 2 4	78.904.0253.0	5
<b>Technical data</b>			
Hose connection	Type / Ø inside	Module Ø 2.5 mm / 2.5 mm	Module Ø 4 mm / 4 mm
Operational pressure		10 bar	
Material of the pneumatic contact		Brass MS 58	
Insulating material		Polyamide 6.6 GF	
Flammability class		UL 94 V-0	
Temperature range		-40 – +100 °C	

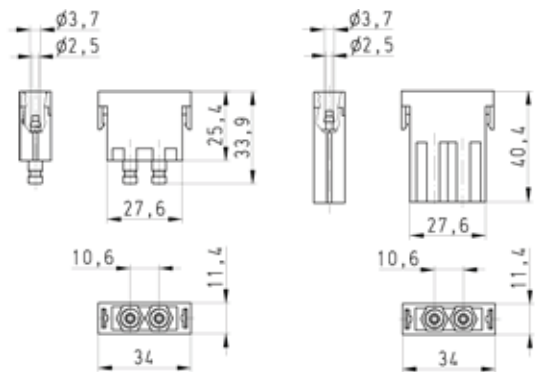
## Dimensions

### Pneumatic module Ø 2.5 mm

#### 1 connection

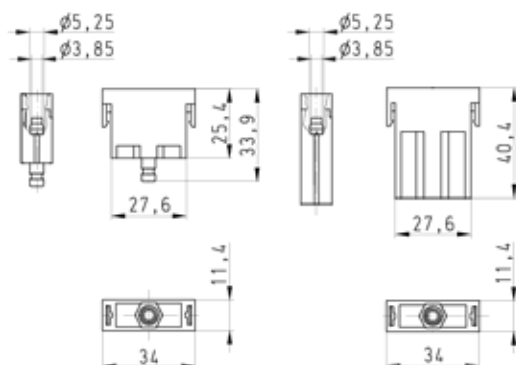


#### 2 connections

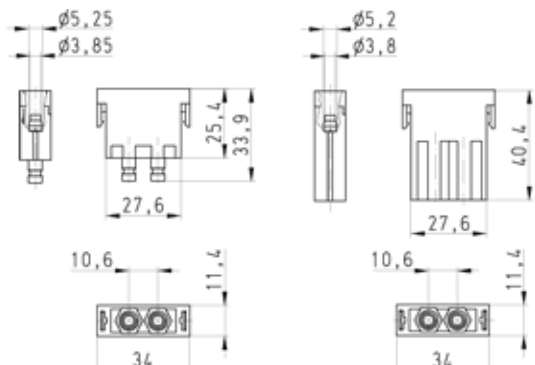


### Pneumatic module Ø 4 mm

#### 1 connection



#### 2 connections



# Modular connector system

## Modular inserts **revos**FLEX

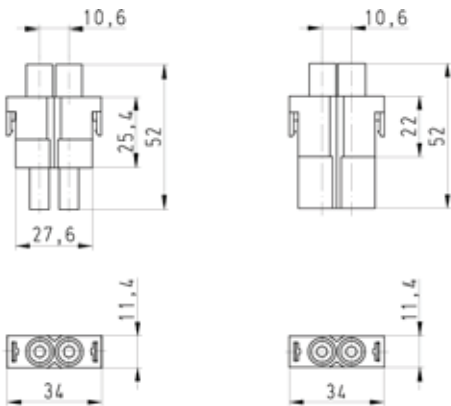


### High voltage module 2-pole



Description	Type	Part No.	P.U.
<b>Modular inserts <b>revos</b>FLEX</b>			
<b>2-pole</b>			
Male insert	FLE SUC 2 5K	78.013.0253.0	5
Female insert	FLE BUC 5 5K	78.003.0253.0	5
<b>Contacts</b>			
		mm <sup>2</sup> / AWG, turned Ø 2.5 mm	
Male insert, Ag	0.5 / 20	05.544.3629.8	100
Female insert, Ag	0.5 / 20	02.125.3629.8	100
Male insert, Ag	0.75 – 1.0 / 18	05.544.3729.8	100
Female insert, Ag	0.75 – 1.0 / 18	02.125.3729.8	100
Male insert, Ag	1.5 / 16	05.544.3829.8	100
Female insert, Ag	1.5 / 16	02.125.3829.8	100
Male insert, Ag	2.5 / 14	05.544.3929.8	100
Female insert, Ag	2.5 / 14	02.125.3929.8	100
Male insert, Ag	4 / 12	05.544.4029.8	100
Female insert, Ag	4 / 12	02.125.4029.8	100
<b>Technical data</b>			
Rated voltage	2.8 kV / 5.5 kV at pollution degree 2		
Rated voltage according to UL/CSA	-		
Rated impulse voltage	18 kV		
Rated current	20 A		
Degree of pollution	3		
Insulating material	Polyamid 6.6		
Flammability class	UL 94 V-0		
Temperature range	-40 – +120 °C		
Description	Type	Part No.	P.U.
<b>Accessories</b>			
Crimping tool		95.101.0800.0	1
Crimping die	"B"	05.502.2100.0	1
Contact positioner	"1"	05.502.3100.0	1
Extraction tool		05.502.0810.0	1
Extraction tool for modular inserts		05.502.1010.0	1

## Dimensions





# Modular connector system

## Modular inserts *revos*<sup>FLEX</sup>



### High voltage module 1-pole + ground



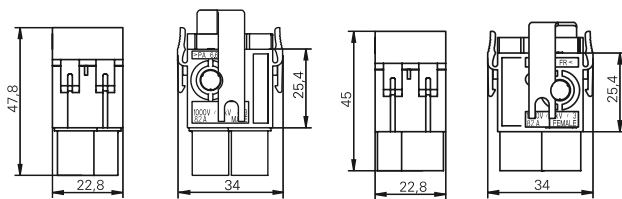
### High voltage module 2-pole



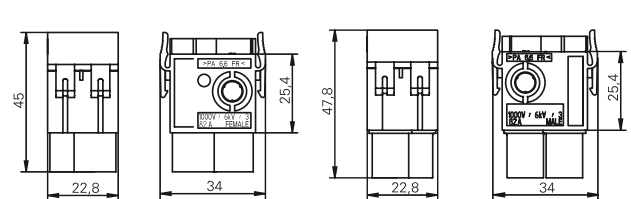
Description	Type	Part No.	P.U.
<b>Modular inserts <i>revos</i><sup>FLEX</sup></b>			
<b>1-pole + ground</b>			
Male insert	FLE STS 1P 25 1K AG	78.116.0153.0	5
Female insert	FLE BUS 1P 25 1K AG	78.106.0153.0	5
<b>Modular inserts <i>revos</i><sup>FLEX</sup></b>			
<b>2-pole</b>			
Male insert	FLE STS 2 25 1K AG	78.116.0253.0	5
Female insert	FLE BUS 2 25 1K AG	78.106.0253.0	5
<b>Technical data</b>			
Rated voltage	1000 V		
Rated voltage according to UL/CSA	600 V		
Rated impulse voltage	8 kV		
Rated current	82 A		
Degree of pollution	3		
Insulation strip length	15 mm		
<b>Rated cross section</b>			
EN 60999	10 – 25 mm <sup>2</sup>		
UL	8 – 4 AWG		
CSA	8 – 4 AWG		
Mating cycles	100		
Contact resistance	≤ 2 mΩ		
Surface	Ag		
Insulating material	PA 6.6		
Flammability	UL 94 V-0		
Temperature range	-40 – +120 °C		
Screws head design	Clamping screws M6		
Recomm. torque	2.5 Nm slot		

## Dimensions

### 1-pole + ground



### 2-pole



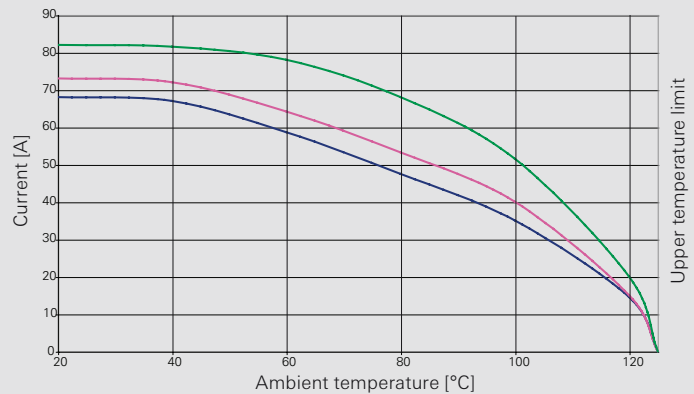
### Derating curve

according to IEC 60512 sec. 3

*revos*<sup>FLEX</sup>

high voltage module 78.106/116.01/0253.0  
1000 V / 82 A

- 10 mm<sup>2</sup>
- 16 mm<sup>2</sup>
- 25 mm<sup>2</sup>

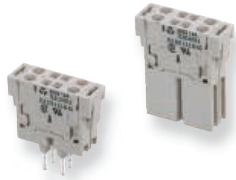


# Modular connector system

## Modular inserts **revos**FLEX



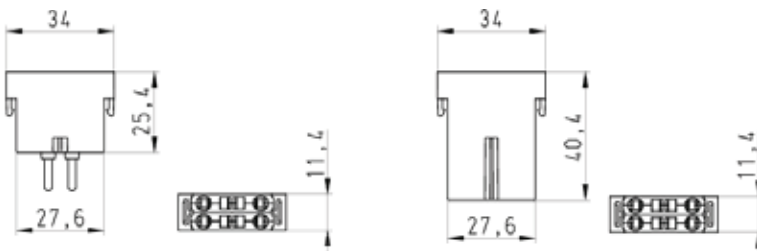
### Spring clamp module 4-pole



Description	Type	Part No.	P.U.
<b>Modular inserts <b>revos</b>FLEX</b>			
Male insert	<b>4-pole</b> FLE STF 4 2.5 40 AG	78.213.0453.0	10
Female insert	FLE BUS 4 2.5 40 AG	78.203.0453.0	10
<b>Technical data</b>			
Rated voltage	400 V		
Rated voltage according to UL/CSA	600 V		
Rated impulse voltage	6 kV		
Rated current	14 A		
Degree of pollution	3		
Insulation strip length	10 mm		
<b>Rated cross section</b>			
EN 60999	0.5 – 2.5 mm <sup>2</sup>		
UL	20 – 12 AWG		
CSA	20 – 12 AWG		
Mating cycles	200		
Contact resistance	≤ 5 mΩ		
Surface	Ag		
Mating cycles	100		
Insulating material	Polycarbonate, halogen-free		
Flammability	UL 94 V-0		
Temperature range	-40 – +120 °C		
Description	Type	Part No.	P.U.
<b>Accessories</b>			
Screwdriver blade	DIN 5264 A 0.6 x 3.5 mm	06.502.4000.0	5

## Dimensions

### Spring clamp module 4-pole



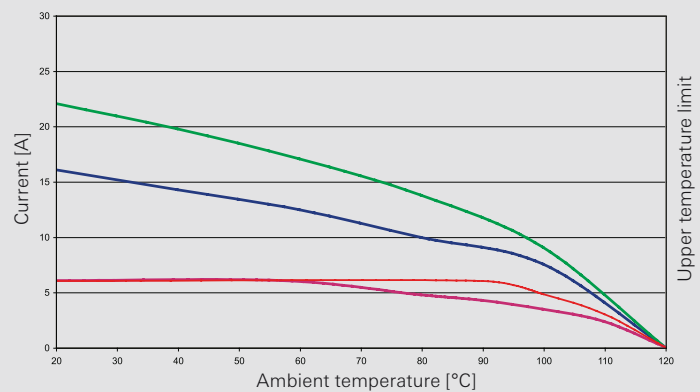
### Derating curve

according to IEC 60512 sec. 3

**revos**FLEX

Spring clamp module 78.203/213.0153.0  
400 V / 14 A / 2,5 mm<sup>2</sup> / 0,5 mm<sup>2</sup>

- 2.5 mm<sup>2</sup> highest number of pole (28-contacts / Size 24)
- 2.5 mm<sup>2</sup> highest number of pole (8-contacts / Size 6)
- 0.5 mm<sup>2</sup> highest number of pole (28-contacts / Size 24)
- 0.5 mm<sup>2</sup> highest number of pole (8-contacts / Size 6)



# Modular connector system

## Modular inserts *revos*<sup>FLEX</sup>

### USB module



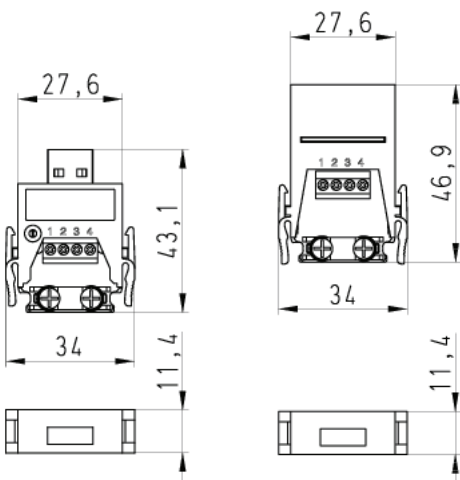
### Profibus module



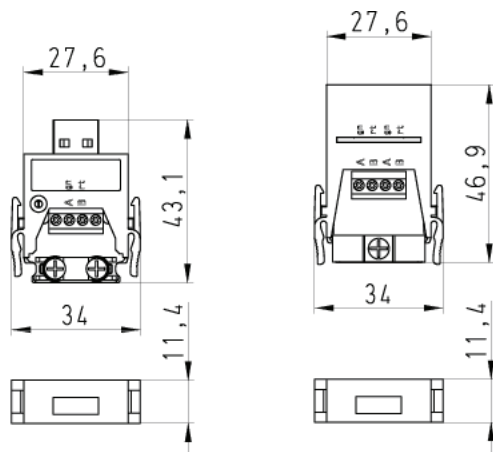
Description	Type	Part No.	P.U.
<b>Modular inserts <i>revos</i><sup>FLEX</sup></b>			
<b>USB module</b>			
Male insert	FLE STK 4S 1.5 03 AU	78.111.0453.0	5
Female insert	FLE BUK 4S 1.5 03 AU	78.101.0453.0	5
<b>Modular inserts <i>revos</i><sup>FLEX</sup></b>			
<b>Profibus module</b>			
Male insert	FLE STD 2S 1.5 03 AU	78.191.0453.0	5
Female insert	FLE BUD 2S 1.5 03 AU	78.181.0453.0	5
<b>Technical data</b>			
Rated voltage	30 V		
Rated voltage according to UL/CSA	-		
<b>Conductor cross section</b>			
USB module	0.8 – 1.5 mm <sup>2</sup> / 28 – 16 AWG		
Profibus module	according to PROFIBUS DP regulations		
Rated current	1 A		
<b>Number of poles</b>			
USB module	4+screen		
Profibus module	2+screen		
Connection torques	screen / PCB connector	0.5 Nm / 0.2 Nm	
<b>Data transmission rate</b>			
USB module	12 MBit/s		
Profibus module	1.5 MBit/s		
Insulating material	Polycarbonate		
Flammability class of insulating housing	UL 94 V-0		
Temperature range	-20 – +85 °C		

## Dimensions

### USB module



### Profibus module



# Modular connector system

## Modular inserts *revos*FLEX



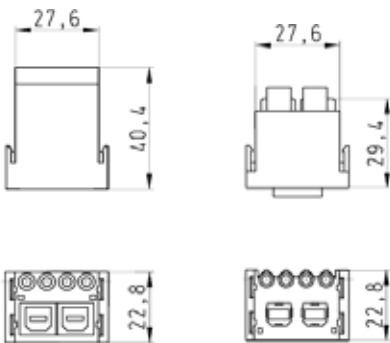
### RJ45 module



Description	Type	Part No.	P.U.
<b>Modular inserts <i>revos</i>FLEX</b>			
<b>RJ45 module</b>			
Male insert	FLE SRC 4 40	78.930.0453.0	5
Female insert	FLE BRC 4 40	78.920.0453.0	5
<b>Contacts</b>			
	mm <sup>2</sup> / AWG, turned Ø 1.6 mm		
Male insert	0.14 – 0.37 / 26 – 22	05.544.4129.8	100
Female insert	0.14 – 0.37 / 26 – 22	02.125.4129.8	100
Male insert	0.5 / 20	05.544.4229.8	100
Female insert	0.5 / 20	02.125.4229.8	100
Male insert	0.75 – 1.0 / 18	05.544.4329.8	100
Female insert	0.75 – 1.0 / 18	02.125.4329.8	100
Male insert	1.5 / 16	05.544.4429.8	100
Female insert	1.5 / 16	02.125.4429.8	100
Male insert	2.5 / 14	05.544.4529.8	100
Female insert	2.5 / 14	02.125.4529.8	100
Male insert, LWL POF	Ø 1.6 mm	05.544.8121.0	5
Female insert, LWL POF	Ø 1.6 mm	02.125.2421.0	5
<b>Technical data</b>			
Rated voltage	Data 30 V / power contacts 400 V		
Transmission rate	according to Category 5, ≤ 100 MBit/s		
Rated current	Data 1 A / power contacts 10 A		
Degree of pollution	3		
Insulating material	Polyamide 6.6		
Flammability	UL 94 V-0		
Temperature range	-20 – +80 °C		
Description	Type	Part No.	P.U.
<b>Accessories</b>			
Crimping tool		95.101.0800.0	1
Crimping die	"B"	05.502.2100.0	1
Contact positioner	"1"	05.502.3100.0	1
Extraction tool		05.502.0710.0	1
Extraction tool for modular inserts		05.502.1010.0	1
Set of tools for optical fiber POF contacts		95.101.2000.0	1

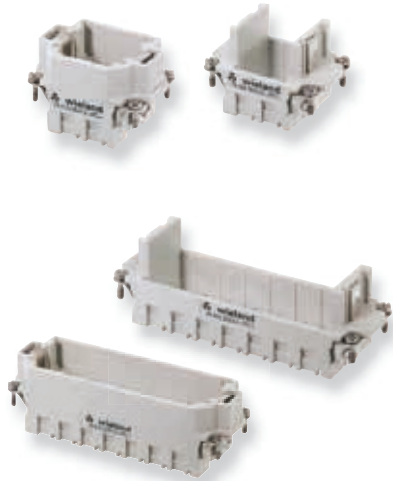
## Dimensions

### RJ45 module



# Modular connector system

## Module frame *revos*<sup>FLEX</sup>

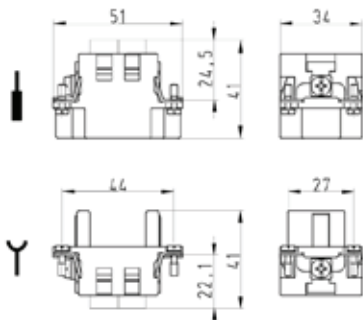


Figures:  
2-Slots and 7-Slots  
Male / Female

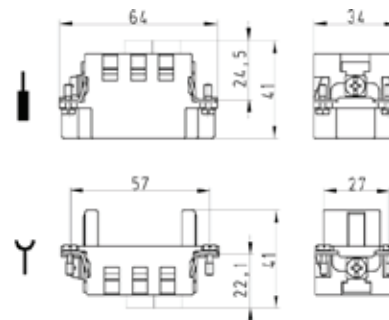
Description	Type	Part No.	P.U.
<b>Module frame <i>revos</i><sup>FLEX</sup> gray RAL 7032</b>	<b>2-Slots, Size 6</b>		
Male	FLE MRS 6	78.010.0653.0	10
Female	FLE MRB 6	78.000.0653.0	10
<b>Module frame <i>revos</i><sup>FLEX</sup> gray RAL 7032</b>	<b>3-Slots, Size 10</b>		
Male	FLE MRS 10	78.010.1053.0	10
Female	FLE MRB 10	78.000.1053.0	10
<b>Module frame <i>revos</i><sup>FLEX</sup> gray RAL 7032</b>	<b>5-Slots, Size 16</b>		
Male	FLE MRS 16	78.010.1653.0	10
Female	FLE MRB 16	78.000.1653.0	10
<b>Module frame <i>revos</i><sup>FLEX</sup> gray RAL 7032</b>	<b>7-Slots, Size 24</b>		
Male	FLE MRS 24	78.010.2453.0	10
Female	FLE MRB 24	78.000.2453.0	10
<b>Technical data</b>			
Insulating material	Polycarbonate, halogen-free		
Flammability class	UL 94 V-0		
Temperature range	-40 – +120 °C		
<b>Housing 500 V</b>			
Size	6/6H	Page 120–127	
Size	10/10H	Page 132–149	
Size	16/16H	Page 160–177	
Size	24/24H	Page 188–205	

## Dimensions

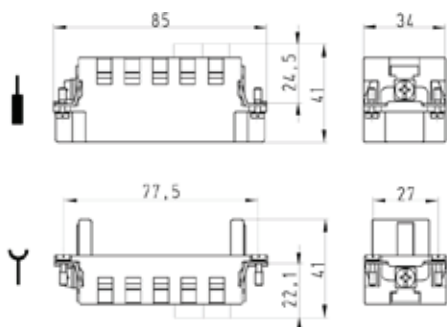
### 2-Slots



### 3-Slots



### 5-Slots



### 7-Slots

