

250 V Hoods, single locking lever

Size 10/15

250 V Hoods Size 10/15

Lateral cable entry



Top cable entry



Multipole connectors for cable-to-cable couplings

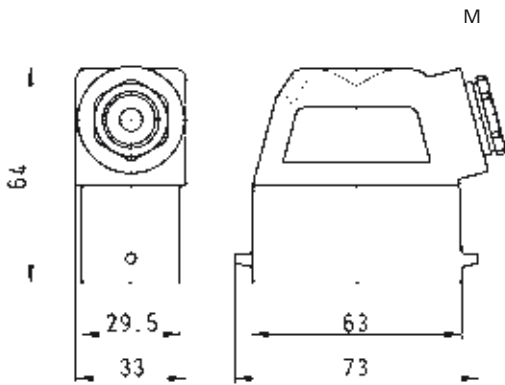


Description	Type	M	Part No.	P.U.
250 V Hoods, size 10/15				
Lateral cable entry M20				
with cable gland, IP54, $\rightarrow \varnothing \leftarrow$ 3 – 14.5 mm	HD GOT GG 15 M20 50 A0	20	76.350.1535.0	1
with intermediate support	HD GOT GG 15 M20 50 A2	20	76.350.1535.2	1
Lateral cable entry M25				
with cable gland, IP54, $\rightarrow \varnothing \leftarrow$ 7.5 – 19 mm	HD GOT GG 15 M25 50 A0	25	76.353.1535.0	1
with threaded collar	HD GOT GG 15 M25 50 A1	25	76.353.1535.1	1
with intermediate support	HD GOT GG 15 M25 50 A2	25	76.353.1535.2	1
Top cable entry M20				
with cable gland, IP54, $\rightarrow \varnothing \leftarrow$ 3 – 14.5 mm	HD GOT GI 15 M20 50 A0	20	76.352.1535.0	1
with threaded collar	HD GOT GI 15 M20 50 A1	20	76.352.1535.1	1
with intermediate support	HD GOT GI 15 M20 50 A2	20	76.352.1535.2	1
Top cable entry M25				
with cable gland, IP54, $\rightarrow \varnothing \leftarrow$ 7.5 – 19 mm	HD GOT GI 15 M25 50 A0	25	76.354.1535.0	1
with threaded collar	HD GOT GI 15 M25 50 A1	25	76.354.1535.1	1
with intermediate support	HD GOT GI 15 M25 50 A2	25	76.354.1535.2	1
Multipole connectors for cable-to-cable couplings M20				
with cable gland, IP54, $\rightarrow \varnothing \leftarrow$ 3 – 14.5 mm	HD GOT GI 15 M20 50 A0	20	76.352.1535.0	1
with cable gland, IP54, $\rightarrow \varnothing \leftarrow$ 3 – 14.5 mm	HD GOT GL 15 M20 50 A0	20	76.372.1535.0	1
Locking levers and gasket				
with threaded collar	HD GOT GI 15 M20 50 A1	20	76.352.1535.1	1
with threaded collar	HD GOT GL 15 M20 50 A1	20	76.372.1535.1	1
Locking levers and gasket				
Technical data				
Material	Die cast aluminum alloy			
Surface	silicon-free			
Locking levers	-			
Gasket	NBR			
Degree of protection				
with latched locking levers	IP54			
with appropriate cable glands	IP65			
Temperature range	-40 – +120 °C			
Description	Type	M	Part No.	P.U.
Accessories				
Cable gland IP68, plastic material, gray	Connection range 6 – 12 mm	20	Z5.507.1353.0	10
Cable gland IP68, nickel-plated brass	Connection range 8 – 13 mm	20	Z5.507.1321.0	10
Cable gland IP68, plastic material, gray	Connection range 7 – 16 mm	25	Z5.507.1553.0	10
Cable gland IP68, nickel-plated brass	Connection range 11 – 18 mm	25	Z5.507.1521.0	10
Contact inserts				
See the product matrix			Page 24–25	

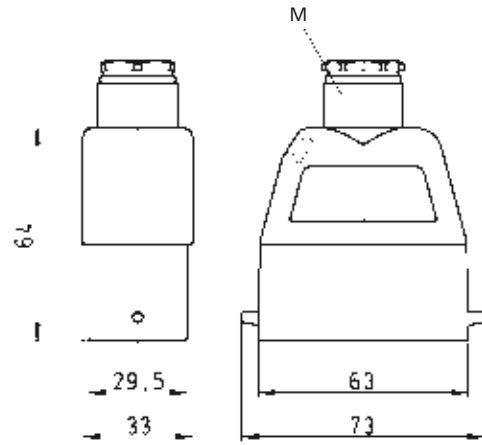
Dimensions

Hoods

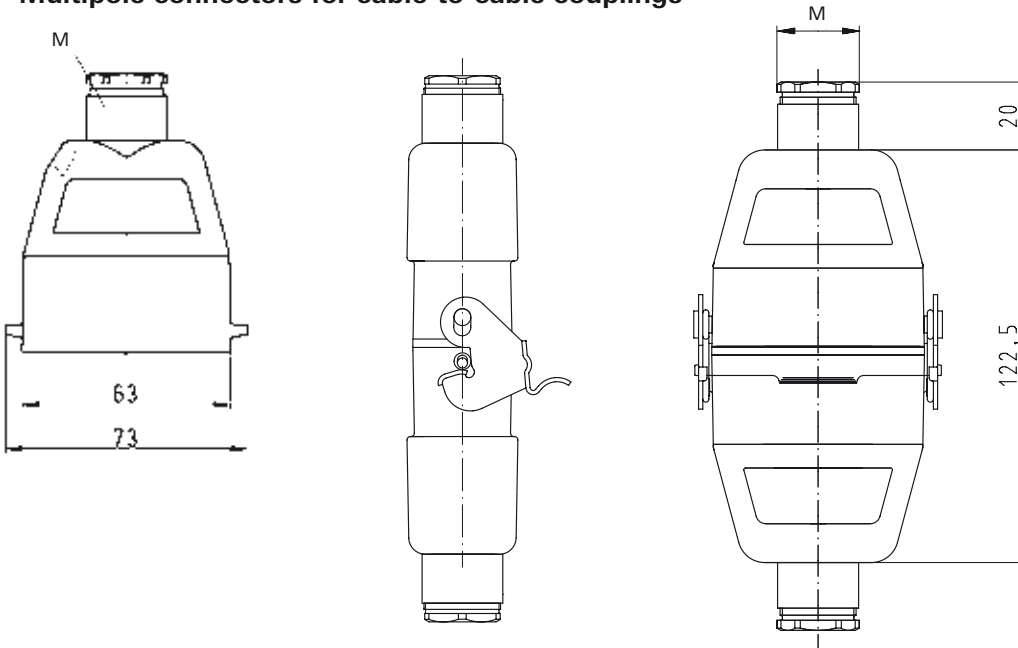
Lateral cable entry



Top cable entry



Multipole connectors for cable-to-cable couplings



250 V Bases, single locking lever Size 10/15

250 V Bases, Size 10/15

open
without cover
with cover



closed
1 cable gland
without cover
with cover



closed
1 cable gland, lateral
cable entry
without cover
with cover

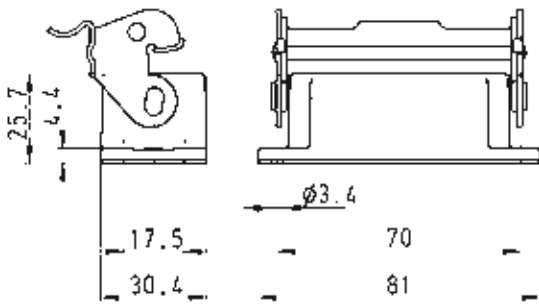


Description	Type	M	Part No.	P.U.
250 V Bases, size 10/15				
Open-bottom base				
without cover	HD GUT GK 15 50 A		76.320.1528.0	1
with metal cover	HD GUT MP 15 50 A		76.425.1528.0	1
Closed-bottom base				
2 cable glands, 2 x M20				
without cover				
with cable gland, IP54, $\rightarrow \text{Ø} \leftarrow 3 - 14.5 \text{ mm}$	HD GUT GL 15 M20 50 A0	20	76.330.1535.0	1
with threaded collar	HD GUT GL 15 M20 50 A1	20	76.330.1535.1	1
with metal cover				
with cable gland, IP54, $\rightarrow \text{Ø} \leftarrow 3 - 14.5 \text{ mm}$	HD GUT GR 15 M20 50 A0	20	76.440.1535.0	1
with threaded collar	HD GUT GR 15 M20 50 A1	20	76.440.1535.1	1
2 cable glands, 2 x M25				
without cover				
with cable gland, IP54, $\rightarrow \text{Ø} \leftarrow 7.5 - 19 \text{ mm}$	HD GUT GL 15 M25 50 A0	25	76.334.1535.0	1
with threaded collar	HD GUT GL 15 M25 50 A1	25	76.334.1535.1	1
with metal cover				
with cable gland, IP54, $\rightarrow \text{Ø} \leftarrow 7.5 - 19 \text{ mm}$	HD GUT GR 15 M25 50 A0	25	76.444.1535.0	1
with threaded collar	HD GUT GR 15 M25 50 A1	25	76.444.1535.1	1
1 cable gland, left, 1 x M20				
without cover				
with cable gland, IP54, $\rightarrow \text{Ø} \leftarrow 3 - 14.5 \text{ mm}$	HD GUT GM 15 M20 50 A0	20	76.331.1535.0	1
with threaded collar	HD GUT GM 15 M20 50 A1	20	76.331.1535.1	1
with metal cover				
with cable gland, IP54, $\rightarrow \text{Ø} \leftarrow 3 - 14.5 \text{ mm}$	HD GUT MS 15 M20 50 A0	20	76.441.1535.0	1
with threaded collar	HD GUT MS 15 M20 50 A1	20	76.441.1535.1	1
1 cable gland, right, 1 x M20				
without cover				
with cable gland, IP54, $\rightarrow \text{Ø} \leftarrow 3 - 14.5 \text{ mm}$	HD GUT GN 15 M20 50 A0	20	76.332.1535.0	1
with threaded collar	HD GUT GN 15 M20 50 A1	20	76.332.1535.1	1
with metal cover				
with cable gland, IP54, $\rightarrow \text{Ø} \leftarrow 3 - 14.5 \text{ mm}$	HD GUT MN 15 M20 50 A0	20	76.442.1535.0	1
with threaded collar	HD GUT MN 15 M20 50 A1	20	76.442.1535.1	1
1 cable gland seitlich, left, 1 x M25				
without cover				
with cable gland, IP54, $\rightarrow \text{Ø} \leftarrow 7.5 - 19 \text{ mm}$	HD GUT GM 15 M25 50 A0	25	76.335.1535.0	1
with threaded collar	HD GUT GM 15 M25 50 A1	25	76.335.1535.1	1
with metal cover				
with cable gland, IP54, $\rightarrow \text{Ø} \leftarrow 7.5 - 19 \text{ mm}$	HD GUT MS 15 M25 50 A0	25	76.445.1535.0	1
with threaded collar	HD GUT MS 15 M25 50 A1	25	76.445.1535.1	1
1 cable gland seitlich, right, 1 x M25				
without cover				
with cable gland, IP54, $\rightarrow \text{Ø} \leftarrow 7.5 - 19 \text{ mm}$	HD GUT GT 15 M25 50 A0	25	76.336.1535.0	1
with threaded collar	HD GUT GT 15 M25 50 A1	25	76.336.1535.1	1
with metal cover				
with cable gland, IP54, $\rightarrow \text{Ø} \leftarrow 7.5 - 19 \text{ mm}$	HD GUT MN 15 M25 50 A0	25	76.446.1535.0	1
with threaded collar	HD GUT MN 15 M25 50 A1	25	76.446.1535.1	1
Technical data				
Material	Die cast aluminum alloy			
Surface	silicon-free			
Locking levers	zinc-plated steel			
Gasket	-			
Degree of protection				
with latched locking levers	IP54			
with appropriate cable glands	IP65			
Temperature range	-40 – +120 °C			
Description	Type	M	Part No.	P.U.
Accessories				
Cable gland IP68, plastic material, gray	Connection range 6 – 12 mm	20	Z5.507.1353.0	10
Cable gland IP68, nickel-plated brass	Connection range 8 – 13 mm	20	Z5.507.1321.0	10
Cable gland IP68, plastic material, gray	Connection range 7 – 16 mm	25	Z5.507.1553.0	10
Cable gland IP68, nickel-plated brass	Connection range 11 – 18 mm	25	Z5.507.1521.0	10
Contact inserts				
See the product matrix			Page 24–25	

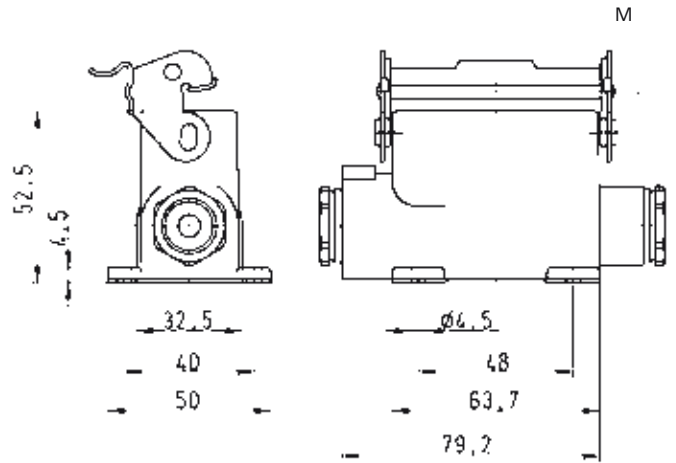
Dimensions

Bases

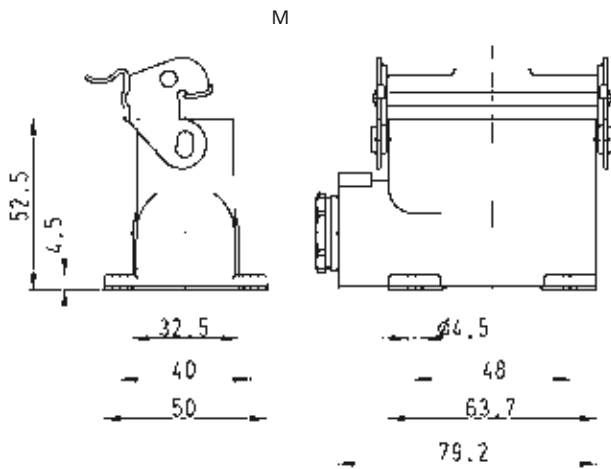
open



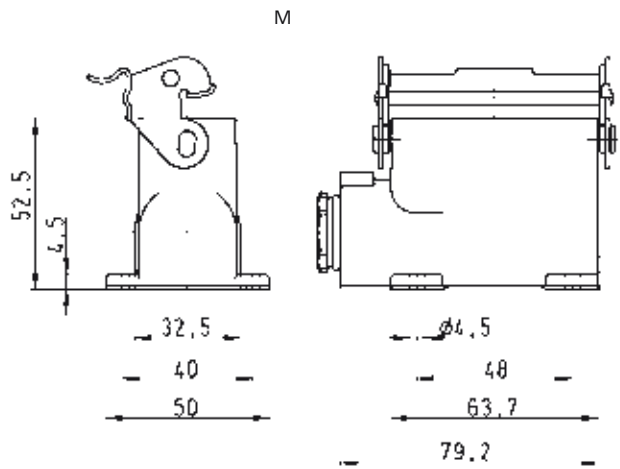
closed, 2 cable glands



closed, 1 cable gland



closed, 1 cable gland, lateral cable entry



250 V Hoods, single locking lever

Size 16/25

250 V Hoods Size 16/25

Lateral cable entry



Top cable entry



Multipole connectors for cable-to-cable couplings

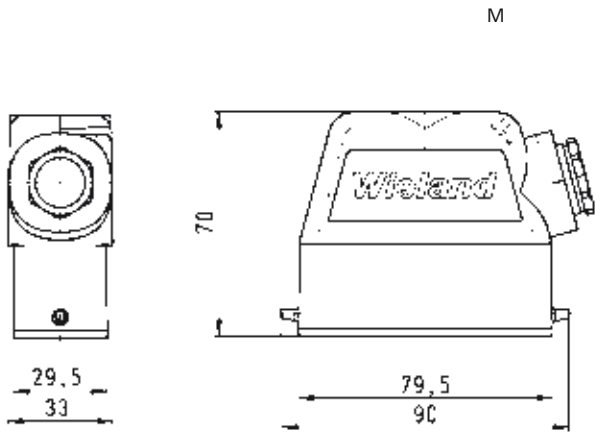


Description	Type	M	Part No.	P.U.
250 V Hoods, size 16/25	Aluminum housing			
Lateral cable entry M20				
with cable gland, IP54, $\rightarrow \varnothing \leftarrow$ 3 – 14.5 mm	HD GOT GG 25 M20 50 A0	20	76.350.2535.0	1
with intermediate support	HD GOT GG 25 M20 50 A2	20	76.350.2535.2	1
Lateral cable entry M25				
with cable gland, IP54, $\rightarrow \varnothing \leftarrow$ 7.5 – 19 mm	HD GOT GG 25 M25 50 A0	25	76.353.2535.0	1
with intermediate support	HD GOT GG 25 M25 50 A2	25	76.353.2535.2	1
Top cable entry M20				
with cable gland, IP54, $\rightarrow \varnothing \leftarrow$ 3 – 14.5 mm	HD GOT GI 25 M20 50 A0	20	76.352.2535.0	1
with threaded collar	HD GOT GI 25 M20 50 A1	20	76.352.2535.1	1
with intermediate support	HD GOT GI 25 M20 50 A2	20	76.352.2535.2	1
Top cable entry M25				
with cable gland, IP54, $\rightarrow \varnothing \leftarrow$ 7.5 – 19 mm	HD GOT GI 25 M25 50 A0	25	76.354.2535.0	1
with threaded collar	HD GOT GI 25 M25 50 A1	25	76.354.2535.1	1
with intermediate support	HD GOT GI 25 M25 50 A2	25	76.354.2535.2	1
Multipole connectors for cable-to-cable couplings M20				
with cable gland, IP54, $\rightarrow \varnothing \leftarrow$ 3 – 14.5 mm	HD GOT GI 25 M20 50 A0	20	76.352.2535.0	1
with cable gland, IP54, $\rightarrow \varnothing \leftarrow$ 3 – 14.5 mm Locking levers and gasket	HD GOT GL 25 M20 50 A0	20	76.372.2535.0	1
with threaded collar	HD GOT GI 25 M20 50 A1	20	76.352.2535.1	1
with threaded collar Locking levers and gasket	HD GOT GL 25 M20 50 A1	20	76.372.2535.1	1
Multipole connectors for cable-to-cable couplings M25				
with cable gland, IP54, $\rightarrow \varnothing \leftarrow$ 7.5 – 19 mm	HD GOT GI 25 M25 50 A0	25	76.354.2535.0	1
with cable gland, IP54, $\rightarrow \varnothing \leftarrow$ 7.5 – 19 mm Locking levers and gasket	HD GOT GL 25 M25 50 A0	25	76.374.2535.0	1
Technical data				
Material	Die cast aluminum alloy			
Surface	silicon-free			
Locking levers at Multipole connectors	Stahl			
Gasket	NBR			
Degree of protection				
with latched locking levers	IP54			
with appropriate cable glands	IP65			
Temperature range	-40 – +120 °C			
Description	Type	M	Part No.	P.U.
Accessories				
Cable gland IP68, plastic material, gray	Connection range 6 – 12 mm	20	Z5.507.1353.0	10
Cable gland IP68, nickel-plated brass	Connection range 8 – 13 mm	20	Z5.507.1321.0	10
Cable gland IP68, plastic material, gray	Connection range 7 – 16 mm	25	Z5.507.1553.0	10
Cable gland IP68, nickel-plated brass	Connection range 11 – 18 mm	25	Z5.507.1521.0	10
Contact inserts				
See the product matrix			Page 24–25	

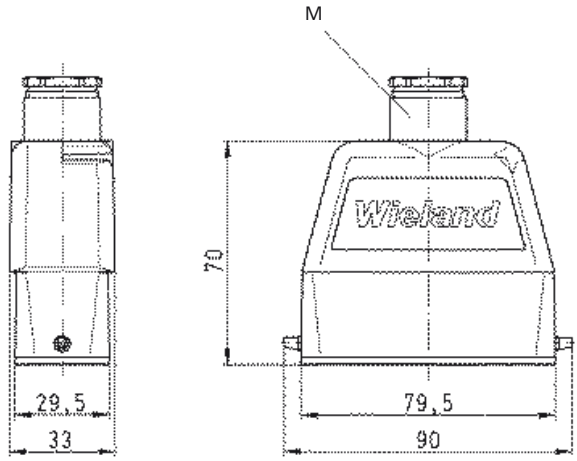
Dimensions

Hoods

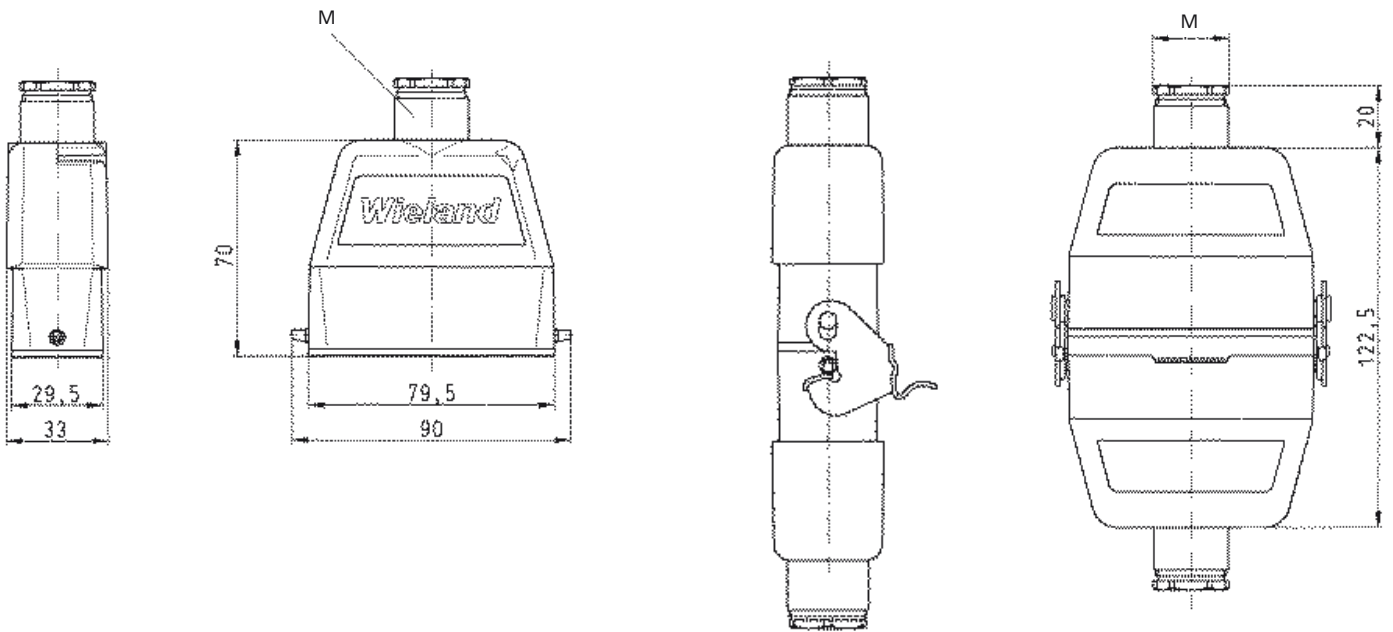
Lateral cable entry



Top cable entry



Multipole connectors for cable-to-cable couplings



250 V Bases, single locking lever Size 16/25

250 V Bases, Size 16/25

open
without cover
with cover



closed
1 cable gland
without cover
with cover

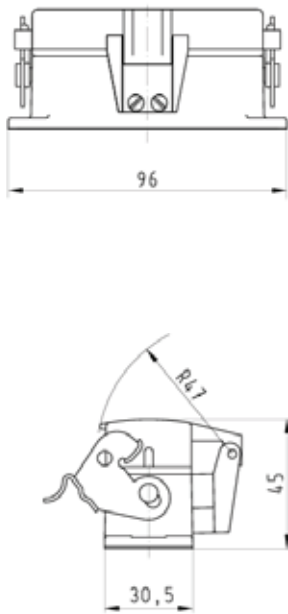


Description	Type	M	Part No.	P.U.
250 V Bases, size 16/25				
Open-bottom base				
without cover	HD GUT GK 25 50 A		76.320.2528.0	1
mit plasticdeckel	HD GUT GP 25 50 A		76.325.2528.0	1
with metal cover	HD GUT MP 25 50 A		76.425.2528.0	1
Closed-bottom base				
2 cable glands, 2 x M20				
without cover				
with cable gland, IP54, $\rightarrow \varnothing $ 3 – 14.5 mm	HD GUT GL 25 M20 50 A0	20	76.330.2535.0	1
with threaded collar	HD GUT GL 25 M20 50 A1	20	76.330.2535.1	1
with metal cover				
with cable gland, IP54, $\rightarrow \varnothing $ 3 – 14.5 mm	HD GUT MR 25 M20 50 A0	20	76.440.2535.0	1
with threaded collar	HD GUT MR 25 M20 50 A1	20	76.440.2535.1	1
2 cable glands, 2 x M25				
without cover				
with cable gland, IP54, $\rightarrow \varnothing $ 7.5 – 19 mm	HD GUT GL 25 M25 50 A0	25	76.334.2535.0	1
with threaded collar	HD GUT GL 25 M25 50 A1	25	76.334.2535.1	1
with metal cover				
with cable gland, IP54, $\rightarrow \varnothing $ 7.5 – 19 mm	HD GUT MR 25 M25 50 A0	25	76.444.2535.0	1
with threaded collar	HD GUT MR 25 M25 50 A1	25	76.444.2535.1	1
1 cable gland, left, 1 x M20				
without cover				
with cable gland, IP54, $\rightarrow \varnothing $ 3 – 14.5 mm	HD GUT GM 25 M20 50 A0	20	76.331.2535.0	1
with threaded collar	HD GUT GM 25 M20 50 A1	20	76.331.2535.1	1
with metal cover				
with cable gland, IP54, $\rightarrow \varnothing $ 3 – 14.5 mm	HD GUT MS 25 M20 50 A0	20	76.441.2535.0	1
with threaded collar	HD GUT MS 25 M20 50 A1	20	76.441.2535.1	1
1 cable gland, right, 1 x M20				
with metal cover				
with cable gland, IP54, $\rightarrow \varnothing $ 3 – 14.5 mm	HD GUT MN 25 M20 50 A0	20	76.442.2535.0	1
with threaded collar	HD GUT MN 25 M20 50 A1	20	76.442.2535.1	1
1 cable gland, left, 1 x M25				
without cover				
with cable gland, IP54, $\rightarrow \varnothing $ 7.5 – 19 mm	HD GUT GM 25 M25 50 A0	25	76.335.2535.0	1
with threaded collar	HD GUT GM 25 M25 50 A1	25	76.335.2535.1	1
with metal cover				
with cable gland, IP54, $\rightarrow \varnothing $ 7.5 – 19 mm	HD GUT MS 25 M25 50 A0	25	76.445.2535.0	1
with threaded collar	HD GUT MS 25 M25 50 A1	25	76.445.2535.1	1
1 cable gland, right, 1 x M25				
with metal cover				
with cable gland, IP54, $\rightarrow \varnothing $ 7.5 – 19 mm	HD GUT MN 25 M25 50 A0	25	76.446.2535.0	1
with threaded collar	HD GUT MN 25 M25 50 A1	25	76.446.2535.1	1
Technical data				
Material	Die cast aluminum alloy			
Surface	silicon-free			
Locking levers	zinc-plated steel			
Gasket	-			
Degree of protection				
with latched locking levers	IP54			
with appropriate cable glands	IP65			
Temperature range	-40 – +120 °C			
Description	Type	M	Part No.	P.U.
Accessories				
Cable gland IP68, plastic material, gray	Connection range 6 – 12 mm	20	Z5.507.1353.0	10
Cable gland IP68, nickel-plated brass	Connection range 8 – 13 mm	20	Z5.507.1321.0	10
Cable gland IP68, plastic material, gray	Connection range 7 – 16 mm	25	Z5.507.1553.0	10
Cable gland IP68, nickel-plated brass	Connection range 11 – 18 mm	25	Z5.507.1521.0	10
Contact inserts				
See the product matrix			Page 24–25	

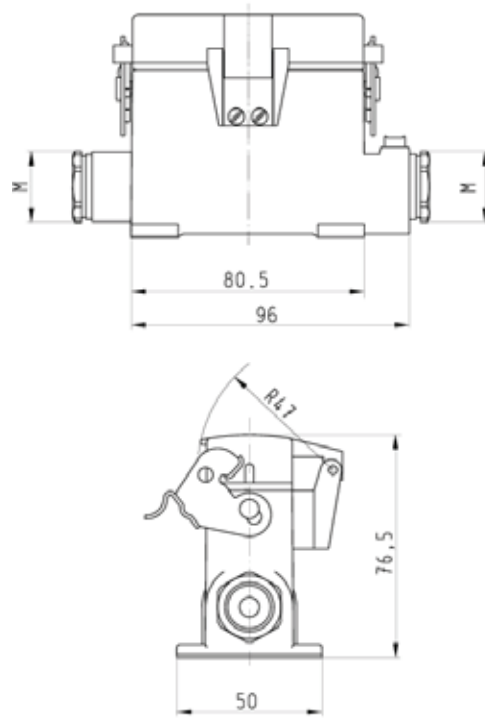
Dimensions

Bases

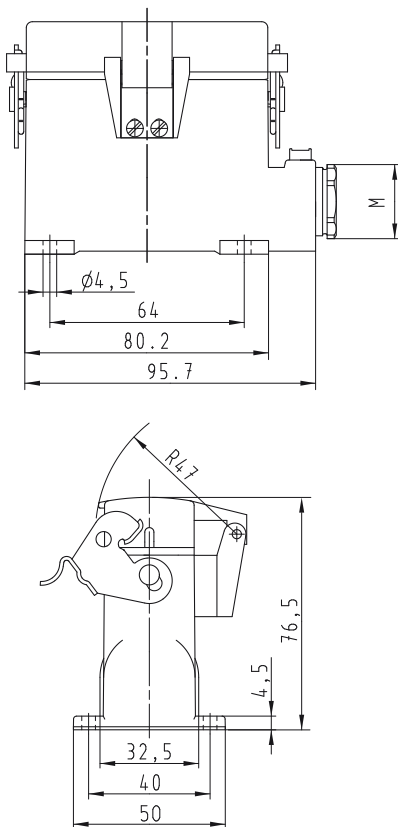
open with cover



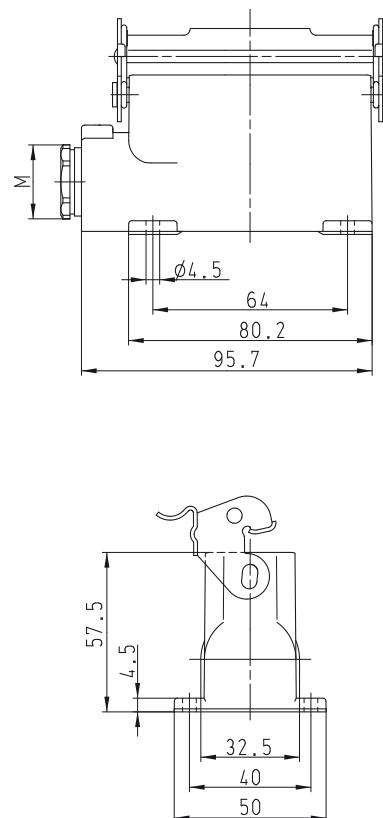
closed with cover, 2 cable glands



closed with cover, 1 cable gland



closed without cover, 1 cable gland



250 V Hoods, double locking lever

Size 32/50

250 V Hoods Size 32/50

Lateral cable entry



Top cable entry



Multipole connectors for cable-to-cable couplings

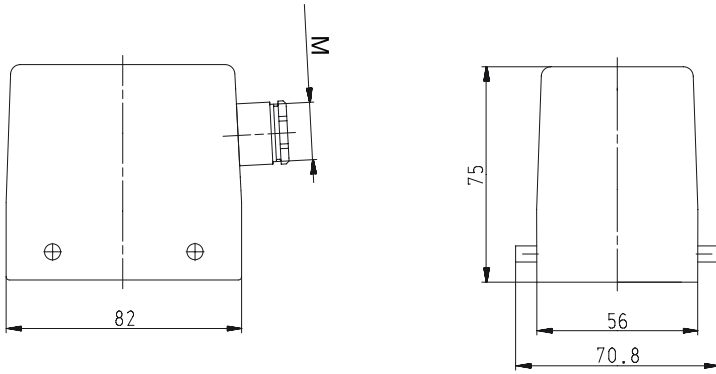


Description	Type	M	Part No.	P.U.
250 V Hoods, size 32/50	Aluminum housing			
Lateral cable entry M25				
with cable gland, IP54, $\rightarrow \text{Ø} \leftarrow$ 7.5 – 19 mm	HD GOT GA 32 M25 69 A0	25	73.350.3235.0	1
with threaded collar	HD GOT GA 32 M25 69 A1	25	73.350.3235.1	1
with intermediate support	HD GOT GA 32 M25 69 A2	25	73.350.3235.2	1
Lateral cable entry M32				
with cable gland, IP54, $\rightarrow \text{Ø} \leftarrow$ 15 – 26.5 mm	HD GOT GA 32 M32 69 A0	32	73.353.3235.0	1
with threaded collar	HD GOT GA 32 M32 69 A1	32	73.353.3235.1	1
with intermediate support	HD GOT GA 32 M32 69 A2	32	73.353.3235.2	1
Top cable entry M25				
with cable gland, IP54, $\rightarrow \text{Ø} \leftarrow$ 7.5 – 19 mm	HD GOT GC 32 M25 69 A0	25	73.352.3235.0	1
with threaded collar	HD GOT GC 32 M25 69 A1	25	73.352.3235.1	1
with intermediate support	HD GOT GC 32 M25 69 A2	25	73.352.3235.2	1
Top cable entry M32				
with cable gland, IP54, $\rightarrow \text{Ø} \leftarrow$ 15 – 26.5 mm	HD GOT GC 32 M32 69 A0	32	73.354.3235.0	1
with threaded collar	HD GOT GC 32 M32 69 A1	32	73.354.3235.1	1
with intermediate support	HD GOT GC 32 M32 69 A2	32	73.354.3235.2	1
Multipole connectors for cable-to-cable couplings M25				
with cable gland, IP54, $\rightarrow \text{Ø} \leftarrow$ 7.5 – 19 mm	HD GOT GK 32 M25 69 A0	25	73.372.3235.0	1
with threaded collar	HD GOT GK 32 M25 69 A1	25	73.372.3235.1	1
with intermediate support	HD GOT GK 32 M25 69 A2	25	73.372.3235.2	1
Multipole connectors for cable-to-cable couplings M32				
with cable gland, IP54, $\rightarrow \text{Ø} \leftarrow$ 15 – 26.5 mm	HD GOT GK 32 M32 69 A0	32	73.374.3235.0	1
with threaded collar	HD GOT GK 32 M32 69 A1	32	73.374.3235.1	1
with intermediate support	HD GOT GK 32 M32 69 A2	32	73.374.3235.2	1
Technical data				
Material	Die cast aluminum alloy			
Surface	silicon-free			
Locking levers	zinc-plated steel			
Gasket	NBR			
Degree of protection				
with latched locking levers	IP54			
with appropriate cable glands	IP65			
Temperature range	-40 – +120 °C			
Description	Type	M	Part No.	P.U.
Accessories				
Cable gland IP68, plastic material, gray	Connection range 7 – 16 mm	25	Z5.507.1553.0	10
Cable gland IP68, nickel-plated brass	Connection range 11 – 18 mm	25	Z5.507.1521.0	10
Cable gland IP68, plastic material, gray	Connection range 10 – 21 mm	32	Z5.507.1753.0	10
Cable gland IP68, nickel-plated brass	Connection range 15 – 21 mm	32	Z5.507.1721.0	10
Contact inserts				
See the product matrix			Page 24–25	

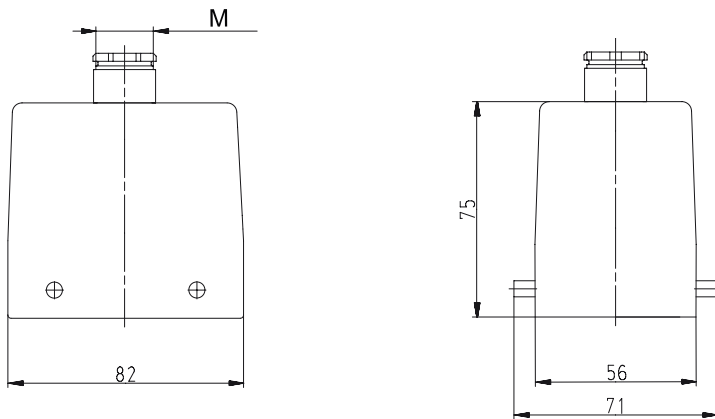
Dimensions

Hoods

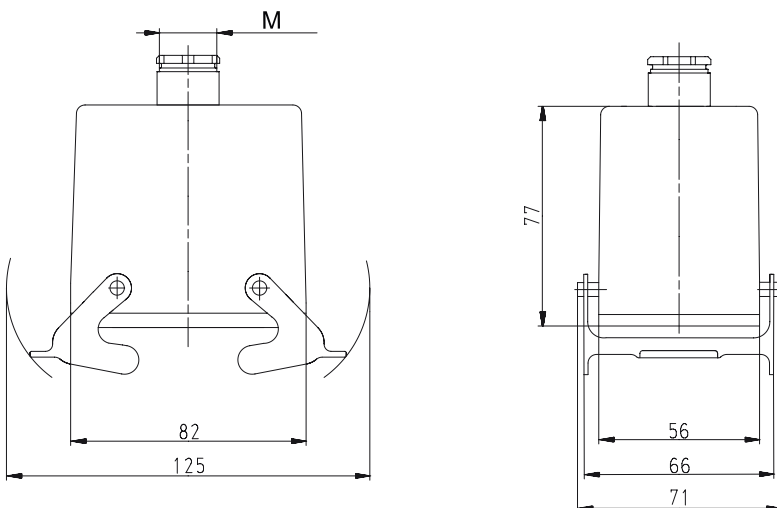
Lateral cable entry



Top cable entry



Multipole connectors for cable-to-cable couplings



250 V Hoods, double locking lever with Locking levers, Size 32/50

250 V Hoods Size 32/50

Lateral cable entry



Top cable entry

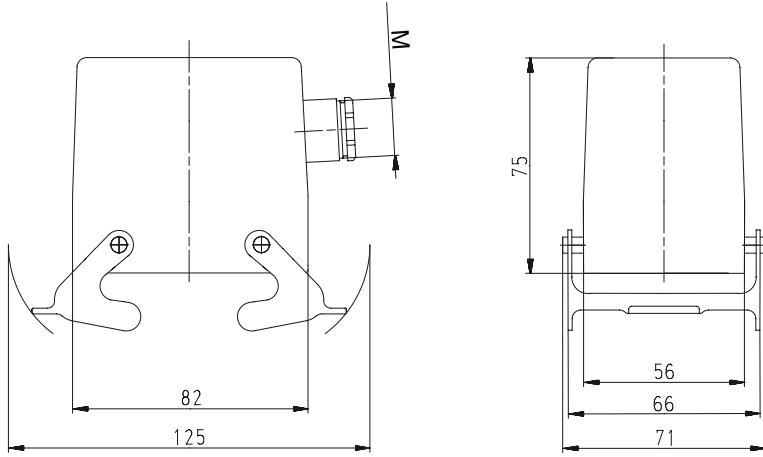


Description	Type	M	Part No.	P.U.
250 V Hoods, size 32/50	Aluminum housing			
Lateral cable entry M25				
with cable gland, IP54, $\rightarrow \text{Ø} $ 7.5 – 19 mm	HD GOT GD 32 M25 69 A0	25	73.355.3235.0	1
with threaded collar	HD GOT GD 32 M25 69 A1	25	73.355.3235.1	1
with intermediate support	HD GOT GD 32 M25 69 A2	25	73.355.3235.2	1
Lateral cable entry M32				
with cable gland, IP54, $\rightarrow \text{Ø} $ 15 – 26.5 mm	HD GOT GD 32 M32 69 A0	32	73.358.3235.0	1
with threaded collar	HD GOT GD 32 M32 69 A1	32	73.358.3235.1	1
with intermediate support	HD GOT GD 32 M32 69 A2	32	73.358.3235.2	1
Top cable entry M25				
with cable gland, IP54, $\rightarrow \text{Ø} $ 7.5 – 19 mm	HD GOT GF 32 M25 69 A0	25	73.357.3235.0	1
with threaded collar	HD GOT GF 32 M25 69 A1	25	73.357.3235.1	1
with intermediate support	HD GOT GF 32 M25 69 A2	25	73.357.3235.2	1
Top cable entry M32				
with cable gland, IP54, $\rightarrow \text{Ø} $ 15 – 26.5 mm	HD GOT GF 32 M32 69 A0	32	73.359.3235.0	1
with threaded collar	HD GOT GF 32 M32 69 A1	32	73.359.3235.1	1
with intermediate support	HD GOT GF 32 M32 69 A2	32	73.359.3235.2	1
Technical data				
Material metal/plastic	Die cast aluminum alloy			
Surface	silicon-free			
Locking levers	zinc-plated steel			
Gasket	NBR			
Degree of protection				
with latched locking levers	IP54			
with appropriate cable glands	IP65			
Temperature range	-40 – +120 °C			
Description	Type	M	Part No.	P.U.
Accessories				
Cable gland IP68, plastic material, gray	Connection range 7 – 16 mm	25	Z5.507.1553.0	10
Cable gland IP68, nickel-plated brass	Connection range 11 – 18 mm	25	Z5.507.1521.0	10
Cable gland IP68, plastic material, gray	Connection range 10 – 21 mm	32	Z5.507.1753.0	10
Cable gland IP68, nickel-plated brass	Connection range 15 – 21 mm	32	Z5.507.1721.0	10
Contact inserts				
See the product matrix			Page 24–25	

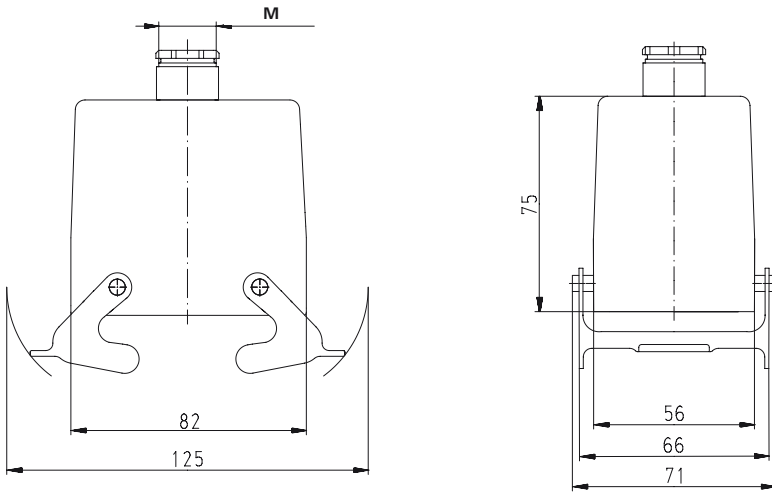
Dimensions

Hoods with Locking levers

Lateral cable entry



Top cable entry



250 V Bases, double locking lever

Size 32/50

250 V Bases, Size 32/50

open
without cover
with cover



closed
2 cable glands
without cover
with cover



closed
1 cable gland
without cover
with cover

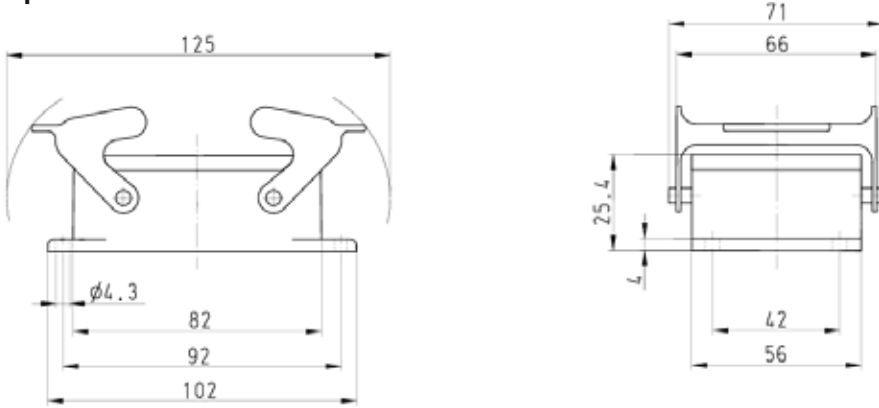


Description	Type	M	Part No.	P.U.
250 V Bases, size 32/50				
Open-bottom base				
without cover	HD GUT GA 32 69 A		73.320.3228.0	1
with metal cover	HD GUT GE 32 69 A		73.325.3228.0	1
Closed-bottom base				
2 cable glands, 2 x M25				
without cover				
with cable gland, IP54, $\rightarrow \text{Ø} \leftarrow$ 7.5 – 19 mm	HD GUT GB 32 M25 69 A0	25	73.330.3235.0	1
with threaded collar	HD GUT GB 32 M25 69 A1	25	73.330.3235.1	1
with metal cover				
with cable gland, IP54, $\rightarrow \text{Ø} \leftarrow$ 7.5 – 19 mm	HD GUT GF 32 M25 69 A0	25	73.340.3235.0	1
with threaded collar	HD GUT GF 32 M25 69 A1	25	73.340.3235.1	1
2 cable glands, 2 x M32				
without cover				
with cable gland, IP54, $\rightarrow \text{Ø} \leftarrow$ 15 – 26.5 mm	HD GUT GB 32 M32 69 A0	32	73.334.3235.0	1
with threaded collar	HD GUT GB 32 M32 69 A1	32	73.334.3235.1	1
with metal cover				
with cable gland, IP54, $\rightarrow \text{Ø} \leftarrow$ 15 – 26.5 mm	HD GUT GF 32 M32 69 A0	32	73.344.3235.0	1
with threaded collar	HD GUT GF 32 M32 69 A1	32	73.344.3235.1	1
1 cable gland, left, 1 x M25				
without cover				
with cable gland, IP54, $\rightarrow \text{Ø} \leftarrow$ 7.5 – 19 mm	HD GUT GC 32 M25 69 A0	25	73.331.3235.0	1
with threaded collar	HD GUT GC 32 M25 69 A1	25	73.331.3235.1	1
with metal cover				
with cable gland, IP54, $\rightarrow \text{Ø} \leftarrow$ 7.5 – 19 mm	HD GUT GH 32 M25 69 A0	25	73.342.3235.0	1
with threaded collar	HD GUT GH 32 M25 69 A1	25	73.342.3235.1	1
1 cable gland, left, 1 x M32				
without cover				
with cable gland, IP54, $\rightarrow \text{Ø} \leftarrow$ 15 – 26.5 mm	HD GUT GC 32 M32 69 A0	32	73.335.3235.0	1
with threaded collar	HD GUT GC 32 M32 69 A1	32	73.335.3235.1	1
with metal cover				
with cable gland, IP54, $\rightarrow \text{Ø} \leftarrow$ 15 – 26.5 mm	HD GUT GH 32 M32 69 A0	32	73.346.3235.0	1
with threaded collar	HD GUT GH 32 M32 69 A1	32	73.346.3235.1	1
Technical data				
Material	Die cast aluminum alloy			
Surface	silicon-free			
Locking levers	zinc-plated steel			
Gasket	NBR			
Degree of protection				
with latched locking levers	IP54			
with appropriate cable glands	IP65			
Temperature range	-40 – +120 °C			
Description	Type	M	Part No.	P.U.
Accessories				
Cable gland IP68, plastic material, gray	Connection range 7 – 16 mm	25	Z5.507.1553.0	10
Cable gland IP68, nickel-plated brass	Connection range 11 – 18 mm	25	Z5.507.1521.0	10
Cable gland IP68, plastic material, gray	Connection range 10 – 21 mm	32	Z5.507.1753.0	10
Cable gland IP68, nickel-plated brass	Connection range 15 – 21 mm	32	Z5.507.1721.0	10
Contact inserts				
See the product matrix			Page 24–25	

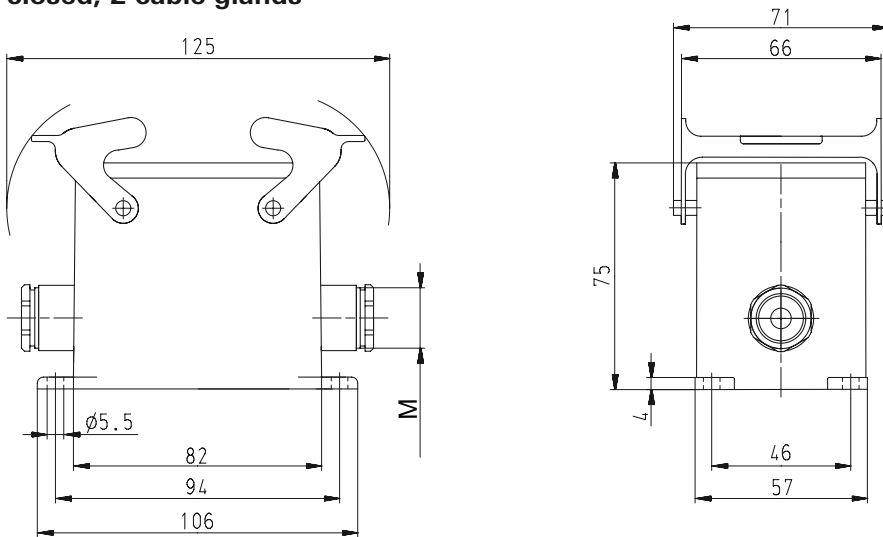
Dimensions

Bases, with and without Locking levers

open



closed, 2 cable glands



closed, 1 cable gland

