

## Hoods

Description	Type	M	Part No.	P.U.
<b>Hoods</b>				
<b>Metal housings for revos<sup>MINI</sup></b>				
<b>Lateral cable entry M20</b>				
with cable gland, IP54, $\rightarrow \varnothing 1 \leftarrow 3 - 14.5$ mm	MIN GOT GA 7 M20 25 Z0	20	76.350.0736.0	10
with threaded collar	MIN GOT GA 7 M20 25 Z1	20	76.350.0736.1	10
<b>Top cable entry M20</b>				
with cable gland, IP54, $\rightarrow \varnothing 1 \leftarrow 3 - 14.5$ mm	MIN GOT GB 7 M20 25 Z0	20	76.352.0736.0	10
with threaded collar	MIN GOT GB 7 M20 25 Z1	20	76.352.0736.1	10
<b>for cable-to-cable couplings M20</b>				
with cable gland, IP54, $\rightarrow \varnothing 1 \leftarrow 3 - 14.5$ mm	MIN GOT GC 7 M20 25 Z0	20	76.372.0736.0	10
with threaded collar	MIN GOT GC 7 M20 25 Z1	20	76.372.0736.1	10
<b>Hoods</b>				
<b>Plastic housings for revos<sup>MINI</sup></b>				
<b>Lateral cable entry M20</b>				
with threaded collar	MIN GOT GA 7 M20 25 P1	20	76.350.0760.1	10
with cable gland, IP68, $\rightarrow \varnothing 1 \leftarrow 6 - 12$ mm	MIN GOT GA 7 M20 25 P5	20	76.350.0760.5	10
<b>Top cable entry M20</b>				
with cable gland, IP54, $\rightarrow \varnothing 1 \leftarrow 3 - 14.5$ mm	MIN GOT GB 7 M20 25 P0	20	76.352.0760.0	10
with threaded collar	MIN GOT GB 7 M20 25 P1	20	76.352.0760.1	10
with cable gland, IP68	MIN GOT GB 7 M20 25 P5	20	76.352.0760.5	10
<b>for cable-to-cable couplings M20</b>				
with threaded collar	MIN GOT GC 7 M20 25 P1	20	76.372.0760.1	10
with cable gland, IP68, $\rightarrow \varnothing 1 \leftarrow 6 - 12$ mm	MIN GOT GC 7 M20 25 P5	20	76.372.0760.5	10
<b>Technical data</b>				
Material	metal		plastic	
	Die cast zinc alloy		Polyamide	
Surface	silicon-free			
Locking levers	zinc-plated steel			
Gasket	NBR			
<b>Degree of protection</b>				
with latched locking levers	IP54			
with appropriate cable glands	IP65			
Temperature range	-40 – +120 °C			
Description	Type		Part No.	P.U.
<b>Accessories</b>				
<b>Cover without gasket for male insert</b>				
Metal, nickel-plated	MIN AD DA 7 Z		07.417.6729.0	10
Plastic material, gray	MIN AD DA 7 P		07.417.6753.0	10
<b>Cover with gasket for female insert</b>				
Metal, nickel-plated	MIN AD DB 7 Z		07.417.6829.0	10
Plastic material, gray	MIN AD DB 7 P		07.417.6853.0	10
<b>Contact inserts</b>				
Page 28–31				

### Hoods

#### Metal housings for revos<sup>MINI</sup>



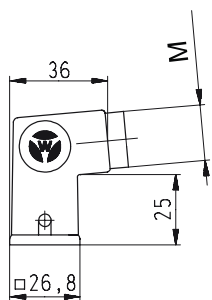
#### Plastic housings for revos<sup>MINI</sup>



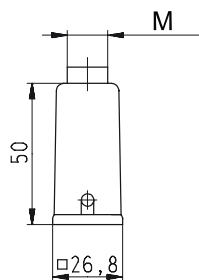
## Dimensions

### Hoods

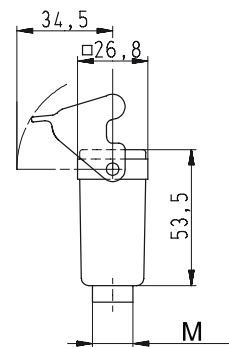
#### Lateral cable entry



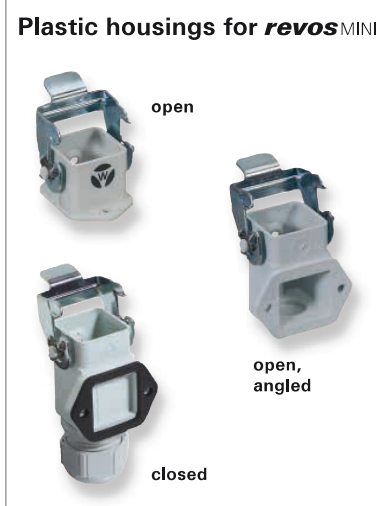
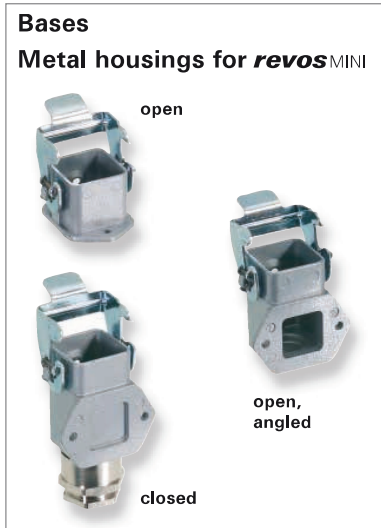
#### Top cable entry



#### for cable-to-cable couplings



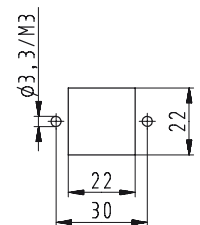
# Bases



Description	Type	M	Part No.	P.U.
<b>Bases</b>				
<b>open</b>	<b>Metal housings for revos<sup>MINI</sup></b>			
	MIN GUT GA 7 25 Z	-	76.320.0729.0	10
<b>open, angled</b>	MIN GUT GB 7 25 Z	-	76.321.0729.0	10
<b>closed M20</b>				
with cable gland, IP54, $\rightarrow \varnothing 1 \leftarrow$ 3 – 14.5 mm	MIN GUT GC 7 M20 25 Z0	20	76.322.0736.0	10
with threaded collar	MIN GUT GC 7 M20 25 Z1	20	76.322.0736.1	10
<b>Bases</b>				
<b>open</b>	<b>Plastic housings for revos<sup>MINI</sup></b>			
	MIN GUT GA 7 25 P	-	76.320.0753.0	10
<b>open, angled</b>	MIN GUT GB 7 25 P	-	76.321.0753.0	10
<b>closed M20</b>				
with cable gland, IP68, $\rightarrow \varnothing 1 \leftarrow$ 6 – 12 mm	MIN GUT GC 7 M20 25 P5	20	76.322.0760.5	10

Technical data		
Material	metal	plastic
	Die cast zinc alloy	Polyamide
Surface	silicon-free	
Locking levers	zinc-plated steel	
Gasket	NBR	
<b>Degree of protection</b>		
with latched locking levers	IP54	
with appropriate cable glands	IP65	
Temperature range	-40 – +120 °C	

Description	Type	Part No.	P.U.
<b>Accessories</b>			
<b>Cover without gasket for male insert</b>			
Metal, nickel-plated	MIN AD DA 7 Z	07.417.6729.0	10
Plastic material, gray	MIN AD DA 7 P	07.417.6753.0	10
<b>Cover with gasket for female insert</b>			
Metal, nickel-plated	MIN AD DB 7 Z	07.417.6829.0	10
Plastic material, gray	MIN AD DB 7 P	07.417.6853.0	10
<b>Contact inserts</b>		Page 28–31	



## Dimensions

### Bases

