

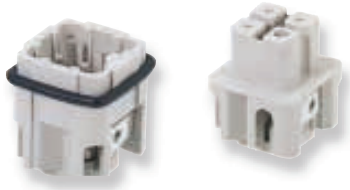
Contact inserts



Contact inserts *revos* MINI



3-pole + ground



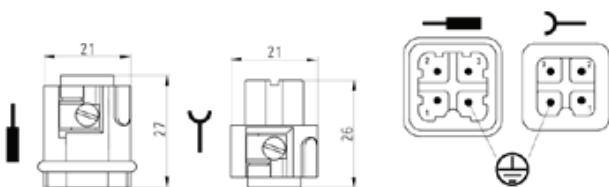
4-pole + ground



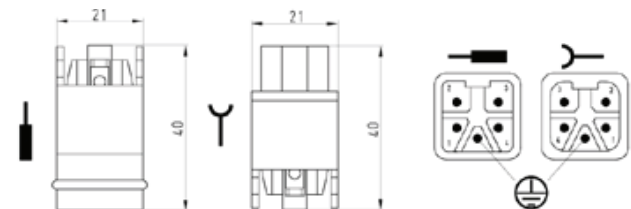
Description	Type	Part No.	P.U.
Contact inserts <i>revos</i> MINI			
3-pole + ground			
Male insert	MIN STS 3 2.5 40	73.310.0353.0	10
Female insert	MIN BUS 3 2.5 40	73.300.0353.0	10
Contact inserts <i>revos</i> MINI			
4-pole + ground			
Male insert	MIN STS 4 2.5 40 AG	73.310.0453.0	10
Female insert	MIN BUS 4 2.5 40 AG	73.300.0453.0	10
Technical data		3-pole + ground	4-pole + ground
Rated voltage			
Installed in a plastic housing	400 V		
Installed in a metal housing	L-PE 250 V / L-L 400 V	400 V	
Rated voltage according to UL/CSA	600 V		
Rated impulse voltage			
Plastic housing	4 kV		
Metal housing	4 kV		
Rated current	10 A		
Degree of pollution	3		
Rated cross section			
EN 60999	0.5 – 2.5 mm ²		
UL	18 – 16 AWG	22 – 12 AWG	
CSA	22 – 12 AWG		
Contacts			
Material	Copper alloy		
Surface	Sn	Ag	
Insulation strip length	4 mm		
Contact resistance	≤ 2 mΩ	≤ 1.5 mΩ	
Mating cycles	50	200	
Screws head design / recomm. torque			
Mounting screws	M3 / 0.5 – 0.7 Nm		
Clamping screws	M3 / 0.5 – 0.7 Nm		
Ground conductor screws	M3 / 0.5 – 0.7 Nm		
Temperature range	-40 – +120 °C		
Housing <i>revos</i> MINI			Page 118–119

Dimensions

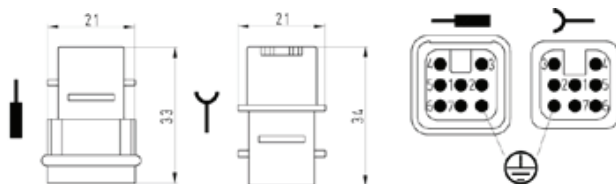
3-pole + ground



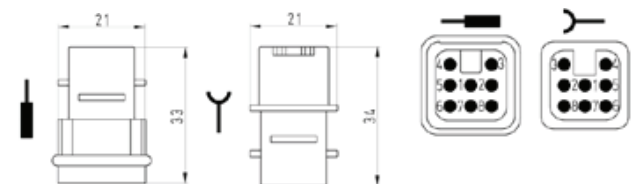
4-pole + ground

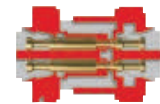


7-pole + ground



8-pole





Contact inserts

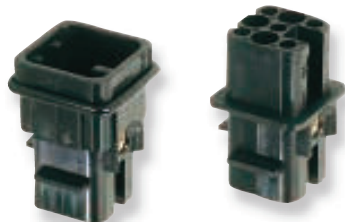
Contact inserts *revos* MINI



7-pole + ground



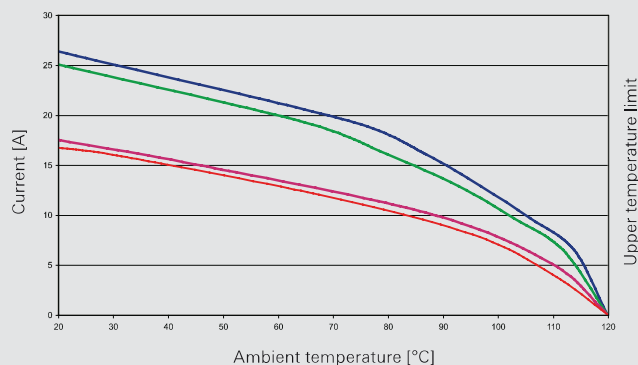
8-pole

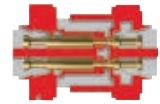


Description	Type	Part No.	P.U.
Contact inserts <i>revos</i> MINI			
7-pole + ground			
Male insert without crimp contacts	MIN STC 7 25	73.710.0753.0	10
Female insert without crimp contacts	MIN BUC 7 25	73.700.0753.0	10
Contact inserts <i>revos</i> MINI			
8-pole			
Male insert without crimp contacts	MIN STC 8 05	73.710.0853.0	10
Female insert without crimp contacts	MIN BUC 8 05	73.700.0853.0	10
Contacts for crimp version			
	mm ² / AWG		
Male reel contacts, Sn	0.2 – 0.56 / 24-20	05.544.0900.0	5000
Female reel contacts, Sn	0.2 – 0.56 / 24-20	02.124.0900.0	5000
Male reel contacts, Sn	0.75 – 1.5 / 18-16	05.544.1000.0	5000
Female reel contacts, Sn	0.75 – 1.5 / 18-16	02.124.1000.0	5000
Male single contacts, Sn	0.2 – 0.56 / 24-20	05.544.0929.0	200
Female single contacts, Sn	0.2 – 0.56 / 24-20	02.124.0929.0	200
Male single contacts, Sn	0.75 – 1.5 / 18-16	05.544.1029.0	200
Female single contacts, Sn	0.75 – 1.5 / 18-16	02.124.1029.0	200
Male reel contacts, Au	0.5 – 1.5 / 20-16	05.544.1400.0	5000
Female reel contacts, Au	0.5 – 1.5 / 20-16	02.124.1400.0	5000
Male single contacts, Au	0.5 – 1.5 / 20-16	05.544.1429.0	200
Female single contacts, Au	0.5 – 1.5 / 20-16	02.124.1429.0	200
Technical data			
Rated voltage		7-pole + ground	8-pole
Installed in a plastic housing	250 V		50 V
Installed in a metal housing	50 V		50 V
Rated voltage according to UL/CSA	600 V		42 V
Rated impulse voltage			
Plastic housing	4 kV		0.8 kV
Metal housing	0.8 kV		
Rated current	10 A		
Degree of pollution	3		
Rated cross section			
EN 60999	0.2 – 1.5 mm ²		
UL	18 – 16 AWG		
CSA	24 – 16 AWG		
Contacts			
Material	Copper alloy		
Surface	Au or SN		
Insulation strip length	4 mm		
Contact resistance	4 mΩ		
Mating cycles	Sn 50 / Au 500		
Screws head design / recomm. torque			
Mounting screws	M3 / 0.5 – 0.7 Nm		
Clamping screws	-		
Ground conductor screws	-		
Temperature range	-40 – +120 °C		
Description	Type	Part No.	P.U.
Accessories			
Crimping tool		95.101.0800.0	1
Crimping die	"E"	05.502.2400.0	1
Contact positioner	"2"	05.502.3200.0	1
Extraction tool		05.502.0000.0	1
Housing <i>revos</i> MINI		Page 118–119	

Derating curve
according to IEC 60512 sec. 3
revos MINI
10 A / 2.5 mm² / 1.5 mm²

- 3-pole
- 4-pole
- 7-pole
- 8-pole





Contact inserts

Contact inserts *revos* MINI



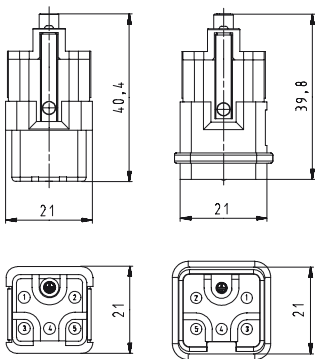
5-pole + ground



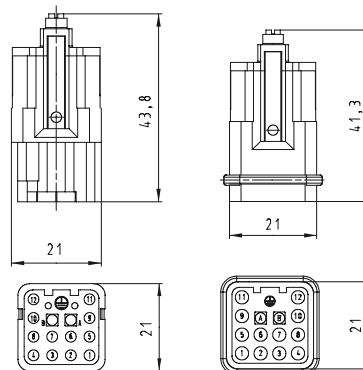
Description	Type	Part No.	P.U.
Contact inserts <i>revos</i> MINI			
Male insert without crimp contacts	5-pole + ground MIN STC 5 25 AG	73.710.0553.0	10
Female insert without crimp contacts	MIN BUC 5 25 AG	73.700.0553.0	10
Contacts for crimp version mm ² / AWG, turned \varnothing 2.5 mm			
Male insert	0,5 / 20	05.543.70xx.0	200
Female insert	0,5 / 20	02.123.70xx.0	200
Male insert	0,75 - 1 / 18	05.543.71xx.0	200
Female insert	0,75 - 1 / 18	02.123.71xx.0	200
Male insert	1,5 / 16	05.543.72xx.0	200
Female insert	1,5 / 16	02.123.72xx.0	200
Male insert	2,5 / 14	05.543.73xx.0	200
Female insert	2,5 / 14	02.123.73xx.0	200
Male insert	4 / 12	05.543.74xx.0	200
Female insert	4 / 12	02.123.74xx.0	200
Surface	silver-plated xx = 02 / gold-plated xx = 01		
Technical data			
Rated voltage			
Installed in a plastic housing	L-PE 250 V / L-L 400 V		
Installed in a metal housing	L-PE 250 V / L-L 400 V		
Rated voltage according to UL/CSA	600 V		
Rated impulse voltage			
Plastic housing	4 kV		
Metal housing	4 kV		
Rated current	16 A		
Degree of pollution	3		
Rated cross section			
EN 60999	0,5 - 4 mm ² , ground: 2,5 mm ²		
UL	20 - 12 AWG		
CSA	20 - 12 AWG		
Contacts			
Material	Copper alloy		
Surface	Au or Ag		
Mating cycles	200		
Screws head design / recomm. torque			
Mounting screws	M3 / 0,5 - 0,7 Nm		
Clamping screws	-		
Ground conductor screws	M3 / 0,5 - 0,7 Nm		
Temperature range	-40 - +120 °C		
Description	Type	Part No.	P.U.
Accessories			
Crimping tool		95.101.0800.0	1
Crimping die	"B"	05.502.2100.0	1
Contact positioner	"3"	05.502.3300.0	1
Extraction tool		05.502.3500.0	1
Housing <i>revos</i> MINI		Page 118-119	

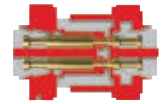
Dimensions

5-pole + ground



12-pole + ground





Contact inserts

Contact inserts *revos* MINI



12-pole + ground



Description	Type	Part No.	P.U.
Contact inserts <i>revos</i> MINI			
Male insert without crimp contacts	12-pole + ground MIN STC 12 40 AG	73.710.1253.0	10
Female insert without crimp contacts	MIN BUC 12 40 AG	73.700.1253.0	10
Contacts for crimp version mm ² / AWG, turned ø 1.6 mm			
Male insert	0.14 – 0.37 / 26 – 22	05.544.4129.x	100
Female insert	0.14 – 0.37 / 26 – 22	02.125.4129.x	100
Male insert	0.5 / 20	05.544.4229.x	100
Female insert	0.5 / 20	02.125.4229.x	100
Male insert	0.75 – 1.0 / 18	05.544.4329.x	100
Female insert	0.75 – 1.0 / 18	02.125.4329.x	100
Male insert	1.5 / 16	05.544.4429.x	100
Female insert	1.5 / 16	02.125.4429.x	100
Male insert	2.5 / 14	05.544.4529.x	100
Female insert	2.5 / 14	02.125.4529.x	100
Surface	silver-plated x = 8 / gold-plated x = 7		
LWL POF Contacts Ø 96			
Male insert		02.125.2421.0	5
Female insert		05.544.8121.0	5
Technical data			
Rated voltage			
Installed in a plastic housing	L-PE 400 V / L-L 690 V		
Installed in a metal housing	L-PE 400 V / L-L 690 V		
Rated voltage according to UL/CSA	600 V		
Rated impulse voltage			
Plastic housing	6 kV		
Metal housing	6 kV		
Rated current	10 A		
Degree of pollution	3		
Rated cross section			
EN 60999	0.14 – 2.5 mm ² , ground: 2.5 mm ²		
UL	26 – 14 AWG		
CSA	26 – 14 AWG		
Contacts			
Material	Copper alloy		
Surface	Au or Ag		
Mating cycles	200		
Screws head design / recomm. torque			
Mounting screws	M3 / 0,5 – 0,7 Nm		
Clamping screws	-		
Ground conductor screws	M3 / 0,5 – 0,7 Nm		
Temperature range	-40 – +120 °C		
Description	Type	Part No.	P.U.
Accessories			
Crimping tool		95.101.0800.0	1
Crimping die	"B"	05.502.2100.0	1
Contact positioner	"1"	05.502.3100.0	1
Extraction tool		05.502.0710.0	1
Set of tools for optical fiber POF contacts		95.101.2000.0	1
Coding piece	MIN KOD	05.568.0353.0	20
Star jumper	MIN BR ST 12 BU	Z7.280.4327.0	5
Housing <i>revos</i> MINI		Page 118–119	

Derating curve
according to IEC 60512 sec. 3
revos MINI
wire size 1.5 mm²

- 5-pole
- 12-pole

