

Mounting frames for *revos* contact inserts



The mounting frames of the **revos** BASIC family are ideal for use in low-voltage switching systems. They are mounted directly to the 35x15 DIN rail according to DIN EN 50022 inside the control cabinet. Use of the DIN rail mounting frame on a 7.5 mm high DIN-rail 35 x 7.5 in accordance with DIN EN 50022 is only possible if the installation space behind it is free.

The system has the following advantages:

- Reduction of material and mounting costs
- Simple and trouble-free installation
- Wire harness assemblies possible
- Easy troubleshooting with hinged top that enables access to the back of the connector.
- Re-wiring is possible without disconnecting.

The robust contact inserts of the **revos** family in use worldwide are used for this purpose. The following contact inserts are available:

- **revos** BASIC
Size 6, 10, 16, 24
- **revos** POWER
Size 16, 24
- **revos** HD
40- and 64-pole
- **revos** FLEX
Size 6, 10, 16, 24
- **revos** BASIC EE
Size 6, 10, 16, 24
- **revos** DD
Size 6, 10, 16, 24

Mounting frames without contact inserts

Size 6



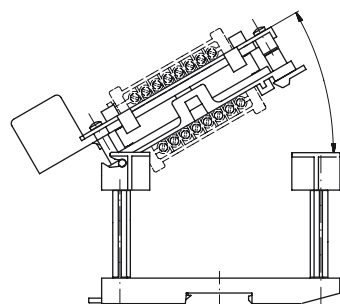
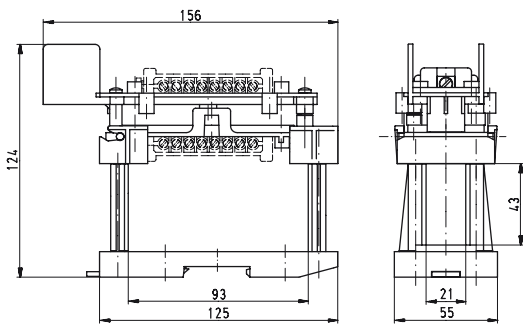
Description	Type	Part No.	P.U.
Mounting frame			
Size 6		Z5.574.0653.0	1
Size 10		Z5.574.1053.0	1
Size 16		Z5.574.1653.0	1
Size 24		Z5.574.2453.0	1
Size 2 x 6		Z5.574.1253.0	1
Technical data			
Installation	on TS 35x15 mounting rail		
Description	Type	Part No.	P.U.
Accessories			
Mounting frame with base plate and installation bolts for open-bottom bases Size 6/10/16		Z5.574.0053.0	1
Mounting frame with base plate and installation bolts for open-bottom bases Size 24		Z5.574.0153.0	1



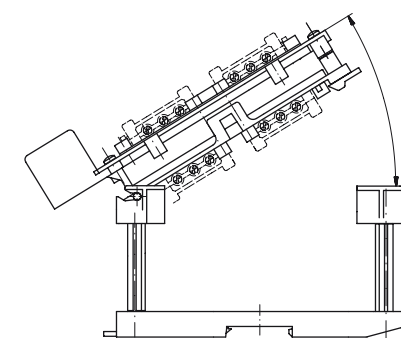
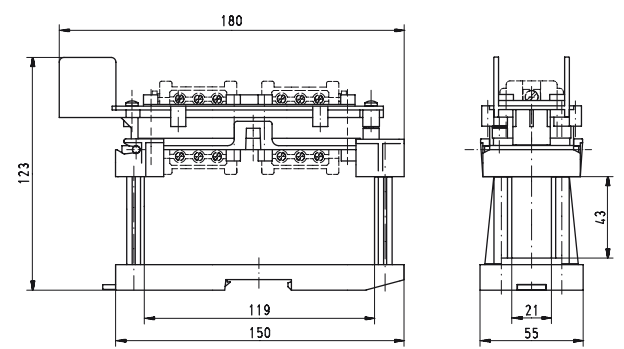
Dimensions

Mounting frame

Size 6



Size 2 x 6



revos cover plates

Cover plates



Description	Type	Part No.	P.U.
Cover plates			
Size 6	Cover plate 6	07.416.6853.0	10
Size 10	Cover plate 10	07.416.6953.0	10
Size 16	Cover plate 16	07.416.7053.0	10
Size 24	Cover plate 24	07.416.7153.0	10

Technical data	
Material	Polyamide
Color	RAL 7032
Degree of protection	IP65
Flammability	UL94-V0

revos Cover plates are used to cover the cut-outs in partitions of control cabinets.



revos reducer plate

Reducer plate



Description	Type	Part No.	P.U.
Reducer plate			
GB 24/GB 6	Reduction plate 24 to 6	07.416.6353.0	10
GB 24/GB 10	Reduction plate 24 to 10	07.416.6453.0	10
GB 24/GB 16	Reduction plate 24 to 16	07.416.6553.0	10

Technical data

Material	Polyamide
Color	RAL 7032
Degree of protection	IP65
Flammability	UL94-V0

revos reducer plate adapt the cut-outs of size 24 to sizes 6, 10 or 16.



Coding of *revos* multipole connectors

Each family of contact inserts has its unique design. Mismating of the different families' contact inserts is therefore impossible due to the design. However, if several connectors of the same size and family are mounted directly adjacent to one another, mismating may occur during start-up of the machine or system.

Coding bolts of version A

Suitable for the following contact inserts / multipole adapters:

- **revos** BASIC
- **revos** POWER
- **revos** HD
- **revos** FLEX
- **revos** Ex

that are mounted to the housing at the **front**.

Suitable for:

- Screw termination inserts with part numbers:
70.2XX.XXXX.X
70.3XX.XXXX.X
70.4XX.XXXX.X
72.2XX.XXXX.X
72.3XX.XXXX.X
- Crimp termination inserts with part numbers:
70.7XX.XXXX.X
72.7XX.XXXX.X
73.7XX.XXXX.X
- Spring clamp termination inserts with part numbers:
70.5XX.XXXX.X
- Terminal block adapter inserts (mountable from the front) with part numbers:
70.7XX.XXXX.X
72.7XX.XXXX.X
73.7XX.XXXX.X

Coding options also exist for combinations of screw and crimp inserts and terminal block adapters.

In order to avoid mismating we developed coding bolts, coding pins and female coding pieces that are to be assembled instead of the regular mounting screws of the contact inserts. Six different codings can be achieved when coding bolts are used.

Coding bolts of version B

Suitable for the following contact inserts / multipole adapters:

- **revos** BASIC
- **revos** POWER
- **revos** HD

that are mounted to the housing at the **rear**.

These are mainly multipole adapters that are mounted from the inside of the control cabinet.

Suitable for:

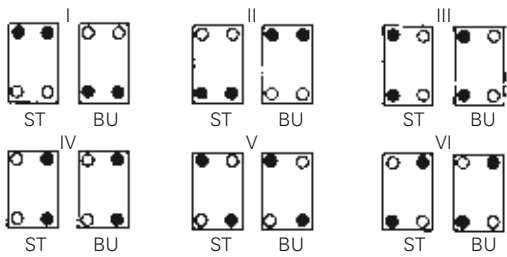
- Combination of screw, crimp, spring-type inserts and clamp adapters in connection with terminal block adapters (mountable from the back of the housing) with part numbers:
70.9XX.XXXX.X
72.9XX.XXXX.X
73.1XX.XXXX.X

Six coding options by means of locking pins

With the use of locking pins, there are a total of six combinations for 3, 6, 10, 16, 24-pin plug connectors

An additional six combinations are possible for the heavy duty connectors with two contact inserts (20, 26, 32 and 48-pin plug connectors).

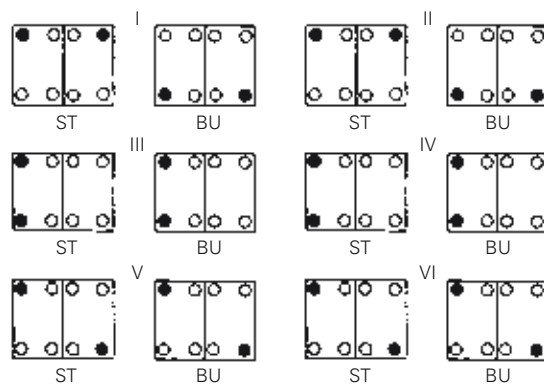
One contact insert





- Coding bolt
- Mounting screws

ST Male connector
BU Female connector

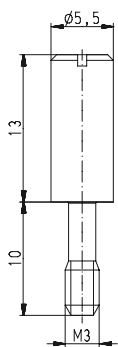
Two contact inserts



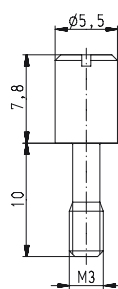
  A B	Description	Part No.	P.U.	
	Coding bolt			
	Version A	05.592.0621.0	100	
	Version B	05.513.4212.0	100	
Technical data				
Material	zinc-plated steel			
Color	shiny metal			

Dimensions

Version A



Version B



Coding options for *revos* multipole connectors

72 coding options by means of coding pin, coding key and coding socket

Part No. for Version A

Suitable for the following contact inserts/
multipole adapters:

revos BASIC, **revos** POWER, **revos** HD,
revos FLEX, **revos** Ex

that are mounted to the housing at the **front**.

Part No. for Version B

Suitable for the following contact inserts/
multipole adapters:

revos BASIC, **revos** POWER, **revos** HD

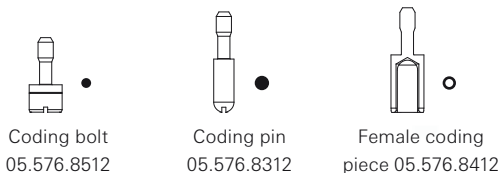
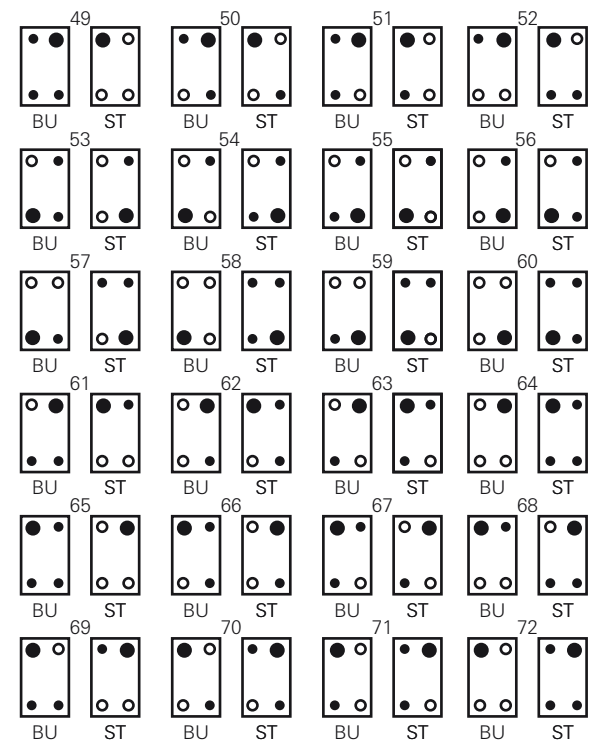
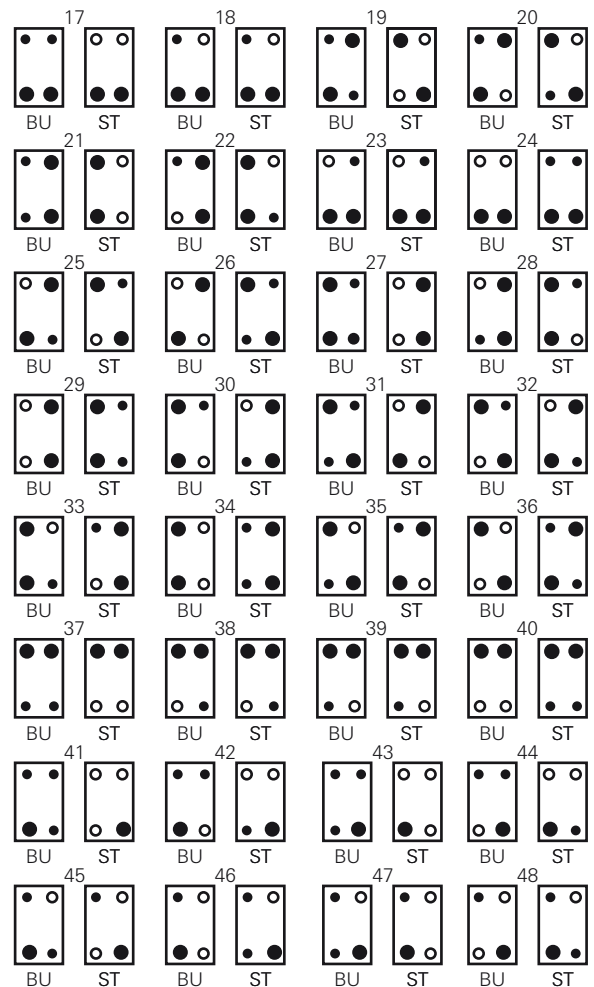
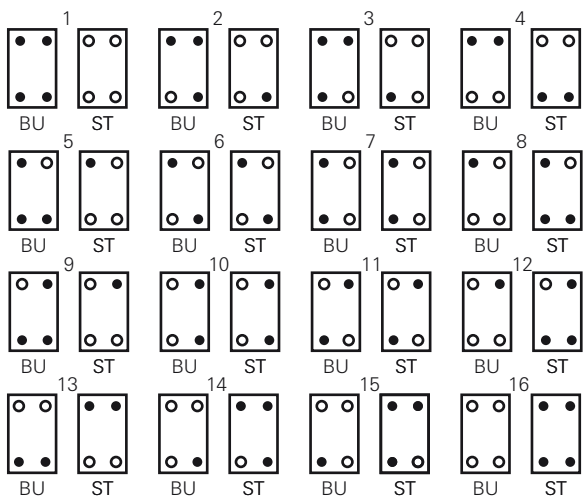
that are mounted to the housing at the **rear**.

The use of coding pins and female coding pieces enables 16 different coding options.

With an additional coding bolt up to 72 coding options are possible.

All mounting screws must be replaced by the coding components.

With 15- or 25-pin plug connectors of the series 73.7 ... 16 coding options result, because the coding pin cannot be used here.



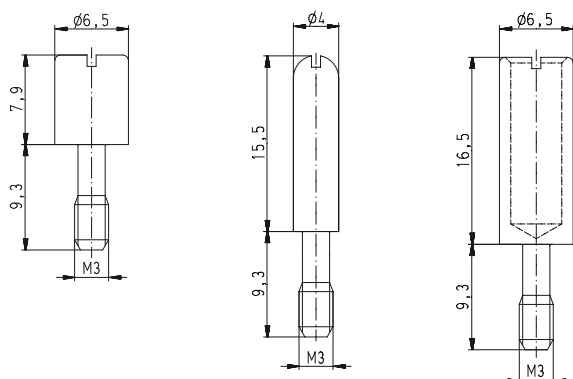
Coding bolt, Coding pin und Female coding piece



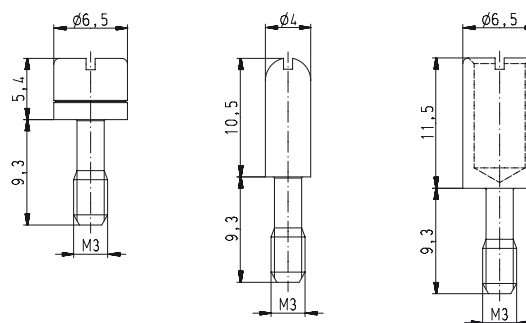
Description	Type	Part No.	P.U.
Version A			
Coding bolt		05.576.6912.0	50
Coding pin		05.576.6612.0	50
Female coding piece		05.576.6712.0	50
Version B			
Coding bolt		05.576.8512.0	50
Coding pin		05.576.8312.0	50
Female coding piece		05.576.8412.0	50
Technical data			
Material	zinc-plated steel		
Color	shiny metal		

Dimensions

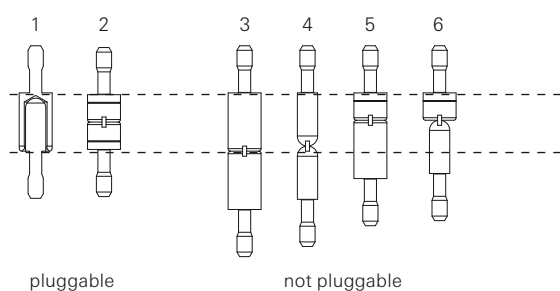
Version A



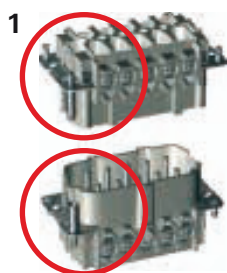
Version B



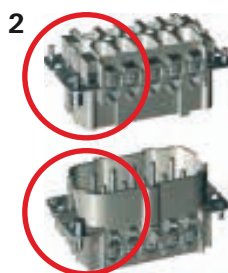
Coding plan:



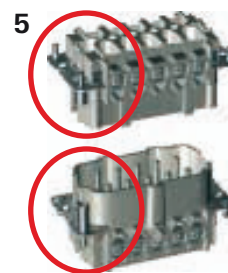
Example:



Coding between male and female connector matching





Coding between the coding bolts matching




Coding between the female connector and the coding bolt not matching

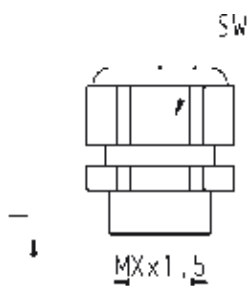
Metric cable glands

Cable glands IP68, plastic	Description		Type		Part No.	P.U.
		Cable glands plastic				
		Cable Ø [mm]	SW [mm]	l [mm]		
M20x1,5		6 – 12	24	9	Z5.507.1353.0	10
M25x1,5		7 – 16	28	11	Z5.507.1553.0	10
M32x1,5		10 – 21	36	11	Z5.507.1753.0	10
M40x1,5	16 – 28	46	11	Z5.507.1953.0	1	
Technical data						
Material		Polyamide				
Color		RAL 7035				
Degree of protection		IP68				
Flammability		UL94-V0				

Cable glands IP68, metal	Description		Type		Part No.	P.U.
		Cable glands metal				
		Cable Ø [mm]	SW [mm]	l [mm]		
M20x1,5		8 – 13	22	6	Z5.507.1321.0	10
M25x1,5		11 – 18	27	7	Z5.507.1521.0	10
M32x1,5		15 – 21	34	8	Z5.507.1721.0	10
M40x1,5	19 – 27	44	8	Z5.507.1921.0	1	
Technical data						
Material		nickel-plated brass				
Color		-				
Degree of protection		IP68				
Flammability		-				

Cable glands EMC IP68, metal	Description		Type		Part No.	P.U.
		Cable glands metal				
		Cable Ø [mm]	SW [mm]	l [mm]		
M20x1,5		8 – 13	22	6	Z5.507.4821.0	1
M25x1,5		11 – 18	30	7	Z5.507.5021.0	1
M32x1,5		15 – 21	34	8	Z5.507.5221.0	1
Technical data						
Material		nickel-plated brass				
Color		-				
Degree of protection		IP68				
Flammability		-				


Dimensions





Strain relief, IP54



Metric cable glands

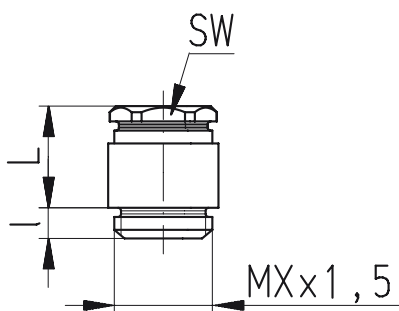
Cable glands, IP54, with strain relief	Description		Type		Part No.	P.U.
	Cable glands metal		Cable Ø [mm]	SW [mm]	l [mm]	
	M20x1.5	8.5 – 14	24	6	Z5.507.5821.0	1
	M25x1.5	12 – 20	34	7	Z5.507.6021.0	1
	M32x1.5	18 – 28	42	8	Z5.507.6221.0	1
	M40x1.5	24 – 34	52	8	on request	
Technical data						
Material		nickel-plated brass				
Color		-				
Degree of protection		IP54				
Flammability		-				

Bushing, IP54	Description		Type		Part No.	P.U.
	Bushing metal		Cable Ø [mm]	SW [mm]	l [mm]	
	M16x1.5	2 – 10.5	-	6	Z5.507.2121.0	1
	M20x1.5	3 – 14.5	-	6	Z5.507.2221.0	1
	M25x1.5	7.5 – 19	-	7	Z5.507.2321.0	1
	M32x1.5	15 – 26.5	-	8	Z5.507.2421.0	1
Technical data						
Material		nickel-plated brass				
Color		-				
Degree of protection		IP54				
Flammability		-				

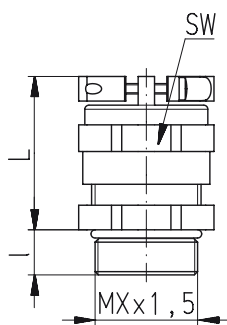
Strain relief, IP54	Description		Type		Part No.	P.U.
	Cable glands metal		Cable Ø [mm]	SW [mm]	l [mm]	
	M16x1.5	6 – 9	18	5	Z5.507.9521.0	10
	M20x1.5	9 – 13.5	22	6	Z5.507.9621.0	10
	M25x1.5	14 – 20	30	7	Z5.507.9721.0	10
	M32x1.5	19 – 29	39	8	Z5.507.9821.0	10
Technical data						
Material		nickel-plated brass				
Color		-				
Degree of protection		IP54				
Flammability		-				

Dimensions

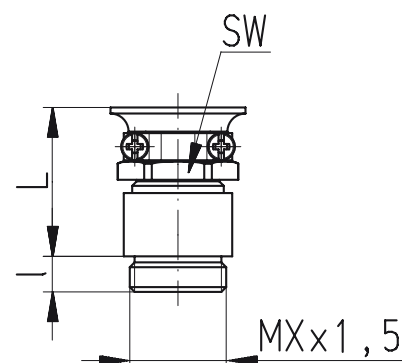
Cable glands, IP54, metal




Cable glands, IP54, with strain relief, metal





Strain relief, IP54, metal




Cable glands, Accessories

Reduction piece, nickel-plated brass	Description				Type	Part No.	P.U.
		Reduction piece					
External thread [AG]		Internal thread [IG]	D [mm]	l [mm]			
M20x1.5		M16x1.5	22	6	05.507.9021.0	1	
M25x1.5		M20x1.5	27	7	05.507.9121.0	1	
M32x1.5		M25x1.5	34	8	05.507.9221.0	1	
M40x1.5	M32x1.5	43	8	05.507.9321.0	1		
Technical data							
Material	nickel-plated brass						
Color	-						
Degree of protection	-						
Flammability	-						

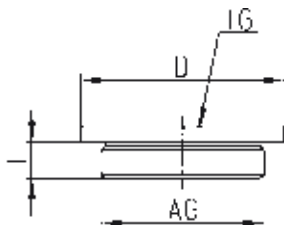
Expansion piece, nickel-plated brass	Description				Type	Part No.	P.U.
		Erweiterung					
External thread [AG]		Internal thread [IG]	D [mm]	l [mm]			
M16x1.5		M20x1.5	22	5	05.507.8621.0	1	
M20x1.5		M25x1.5	27	6	05.507.8721.0	1	
M25x1.5		M32x1.5	34	7	05.507.8821.0	1	
M32x1.5	M40x1.5	43	8	05.507.8921.0	1		
Technical data							
Material	nickel-plated brass						
Color	-						
Degree of protection	-						
Flammability	-						

Adapter for PG-metric conversion	Description				Type	Part No.	P.U.
		Adapter PG					
External thread [AG]		Internal thread [IG]	D [mm]	l [mm]			
PG 13.5		M20x1.5	26	6.5	05.507.7621.0	1	
PG 16		M20x1.5	24	6.5	05.507.7721.0	1	
PG 21	M25x1.5	30	7	05.507.7821.0	1		
Technical data							
Material	nickel-plated brass						
Color	-						
Degree of protection	-						
Flammability	-						

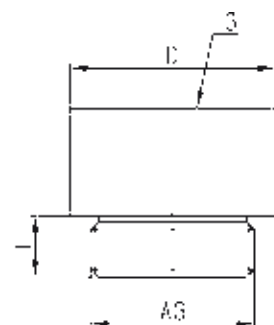
Adapter for metric-PG conversion	Description				Type	Part No.	P.U.
		Adapter metrisch					
External thread [AG]		Internal thread [IG]	D [mm]	l [mm]			
M20x1.5		PG 13.5	22	6	05.507.8121.0	1	
M20x1.5		PG 16	24	6	05.507.8221.0	1	
M25x1.5		PG 21	30	7	05.507.8321.0	1	
M32x1.5	PG 29	39	8	05.507.8421.0	1		
Technical data							
Material	nickel-plated brass						
Color	-						
Degree of protection	-						
Flammability	-						

Dimensions

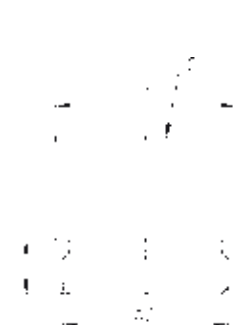
Reduction piece,
nickel-plated brass



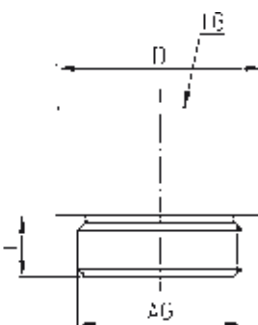
Expansion piece,
nickel-plated brass




Adapter for PG-
metric conversion




Adapter for metric-
PG conversion

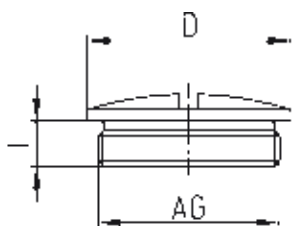


Cable glands, Accessories

Blind piece with gasket, brass	Description		Type	Part No.	P.U.
		Blind piece brass			
Thread [AG]		D [mm]	l [mm]		
M20x1.5		22	6.5	Z5.507.4021.0	1
M25x1.5		28	7	Z5.507.4121.0	1
M32x1.5		35	8	Z5.507.4221.0	1
M40x1.5		44	8.5	on request	
Technical data					
Material		nickel-plated brass			
Color		Metalic			
Degree of protection		IP68			
Flammability	-				

Blind piece with gasket, plastic	Description		Type	Part No.	P.U.
		Blind piece plastic			
Thread [AG]		D [mm]	l [mm]		
M20x1.5		24	6	Z5.507.4035.0	1
M25x1.5		30	7	Z5.507.4153.0	1
M32x1.5		38	8	Z5.507.4253.0	1
M40x1.5		48	9	Z5.507.4353.0	1
Technical data					
Material		Polyamide			
Color		gray, RAL 7035			
Degree of protection		IP68			
Flammability	UL94-V0				

Dimensions



Protective covers without locking levers for *revos* BASIC Housings

Protective covers without locking levers

Double locking lever

Size 10

without gasket with tether cord and loop



Double locking lever

Size 16

without gasket with tether cord



Double locking lever

Size 10

with gasket



Description	Type	Part No.	P.U.
revos protective cover			
for single locking lever, without gasket			
Size 6	BAS AD DI 06	07.409.7056.0	10
Size 10	BAS AD DI 10	07.428.5553.0	10
Size 16	BAS AD DI 16	07.428.5653.0	10
Size 24	BAS AD DI 24	07.428.5753.0	10
with tether cord + loop			
Size 6	BAS AD DI 06 FSR	Z7.416.1556.0	10
for single locking lever, with gasket			
Size 6	BAS AD DB 06	Z7.427.8053.0	10
with tether cord + loop			
Size 6	BAS AD DJ 06 FSR	Z7.429.0453.0	10
for double locking lever, without gasket			
Size 10	BAS AD DA 10	07.409.7156.0	10
Size 16	BAS AD DA 16	07.409.7256.0	10
Size 24	BAS AD DA 24	07.409.7356.0	10
with tether cord			
Size 10	BAS AD DA 10 FS	Z7.409.8756.0	10
Size 16	BAS AD DA 16 FS	Z7.409.8856.0	10
Size 24	BAS AD DA 24 FS	Z7.409.8956.0	10
with tether cord + loop			
Size 10	BAS AD DA 10 FSR	Z7.409.1656.0	10
Size 16	BAS AD DA 16 FSR	Z7.409.1756.0	10
Size 24	BAS AD DA 24 FSR	Z7.409.1856.0	10
for double locking lever, with gasket			
Size 10	BAS AD DB 10	Z7.427.8153.0	10
Size 16	BAS AD DB 16	Z7.427.8253.0	10
Size 24	BAS AD DB 24	Z7.427.8353.0	10
with tether cord			
Size 10	BAS AD DB 10 FS	Z7.429.0153.0	10
Size 16	BAS AD DB 16 FS	Z7.429.0253.0	10
Size 24	BAS AD DB 24 FS	Z7.429.0353.0	10
with tether cord + loop			
Size 10	BAS AD DB 10 FSR	Z7.429.0553.0	10
Size 16	BAS AD DB 16 FSR	Z7.429.0653.0	10
Size 24	BAS AD DB 24 FSR	Z7.429.0753.0	10

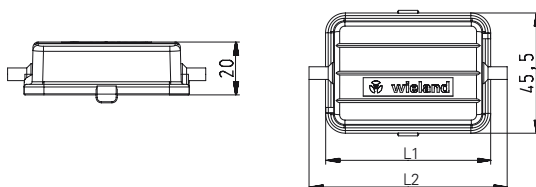
Technical data

Material/Gasket	Polyamide/NBR
Color	silver gray, RAL 7001
Degree of protection	IP65
Flammability	UL94-V0

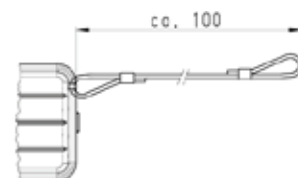
Dimensions

Single locking lever without clamp

Size	L1 [mm]	L2 [mm]
6	62.5	75
10	75.5	90
16	96	110.5
24	122.5	137

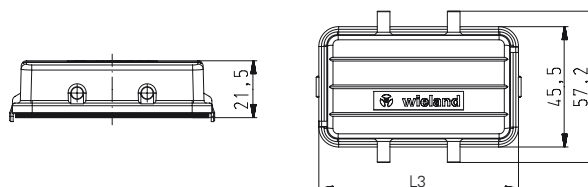


tether cord

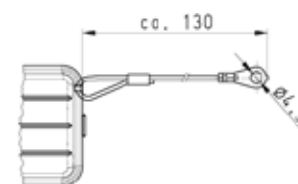


Double locking lever without clamp

Size	L3 [mm]
10	75.5
16	96
24	122.5



tether cord + loop



Protective covers with locking levers for *revos* BASIC Housings

Protective covers with locking levers

Double locking lever

Size 10

Plastic locking levers, with gasket



Double locking lever

Size 10

steel locking levers, with gasket



Double locking lever

Size 10

stainless steel locking levers, with gasket

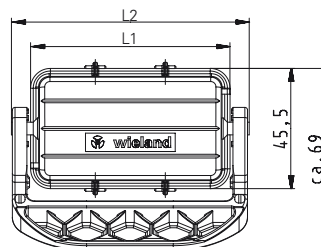
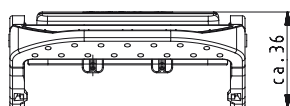


Description	Type	Part No.	P.U.
revos protective cover			
for single locking lever, with gasket			
plastic locking levers			
Size 6	BAS AD DH 06 PA	Z7.428.1153.0	10
Size 10	BAS AD DH 10 PA	Z7.428.5553.0	10
Size 16	BAS AD DH 16 PA	Z7.428.5653.0	10
Size 24	BAS AD DH 24 PA	Z7.428.5753.0	10
steel locking levers			
Size 6	BAS AD DH 06 ST	Z7.428.1110.0	10
stainless steel locking levers			
Size 6	BAS AD DG 06 VA	Z7.428.1119.0	10
for single locking lever, without gasket			
plastic locking levers			
Size 6	BAS AD DG 06 PA	Z7.428.1553.0	10
steel locking levers			
Size 6	BAS AD DG 06 ST	Z7.428.1510.0	10
stainless steel locking levers			
Size 6	BAS AD DG 06 VA	Z7.428.1519.0	10
for double locking lever, with gasket			
plastic locking levers			
Size 10	BAS AD DD 10 PA	Z7.428.1253.0	10
Size 16	BAS AD DD 16 PA	Z7.428.1353.0	10
Size 24	BAS AD DD 24 PA	Z7.428.1453.0	10
steel locking levers			
Size 10	BAS AD DD 10 ST	Z7.428.1210.0	10
Size 16	BAS AD DD 16 ST	Z7.428.1310.0	10
Size 24	BAS AD DD 24 ST	Z7.428.1410.0	10
stainless steel locking levers			
Size 10	BAS AD DD 10 VA	Z7.428.1219.0	10
Size 16	BAS AD DD 16 VA	Z7.428.1319.0	10
Size 24	BAS AD DD 24 VA	Z7.428.1419.0	10
for double locking lever, without gasket			
plastic locking levers			
Size 10	BAS AD DC 10 PA	Z7.428.1653.0	10
Size 16	BAS AD DC 16 PA	Z7.428.1753.0	10
Size 24	BAS AD DC 24 PA	Z7.428.1853.0	10
steel locking levers			
Size 10	BAS AD DC 10 ST	Z7.428.1610.0	10
Size 16	BAS AD DC 16 ST	Z7.428.1710.0	10
Size 24	BAS AD DC 24 ST	Z7.428.1810.0	10
stainless steel locking levers			
Size 10	BAS AD DC 10 VA	Z7.428.1619.0	10
Size 16	BAS AD DC 16 VA	Z7.428.1719.0	10
Size 24	BAS AD DC 24 VA	Z7.428.1819.0	10
Technical data			
Material/Gasket	Polyamide/NBR		
Color	silver gray, RAL 7001		
Degree of protection	IP65		
Flammability	UL94-V0		

Dimensions

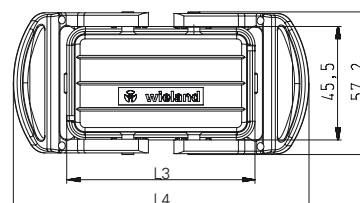
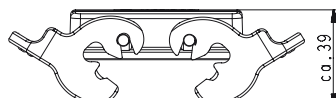
Single locking lever with clamp, plastic

Size	L1 [mm]	L2 [mm]
6	62.5	75
10	75.5	90
16	96	110.5
24	122.5	137



Double locking lever with clamp, plastic

Size	L3 [mm]	L4 [mm]
10	75.5	119
16	96	140
24	122.5	166



Protective cover for *revos* BASIC Housings Size 32

Protective covers without locking levers, without gasket



Protective covers with locking levers, with gasket

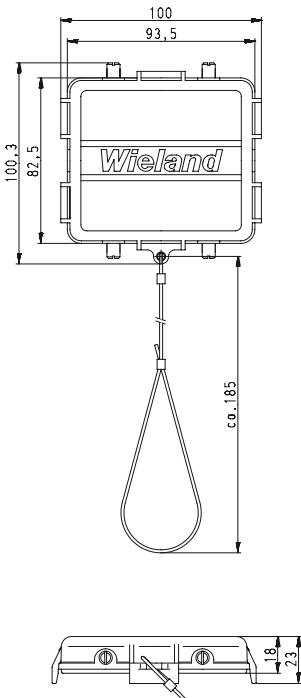


Description	Type	Part No.	P.U.
revos protective cover with tether cord + loop			
without locking levers, without gasket			
Size 32	BAS AD DA 32 FS ST	Z7.419.6228.0	10
with locking levers, with gasket			
Size 32	BAS AD DD 32 FS ST	Z7.419.6128.0	10

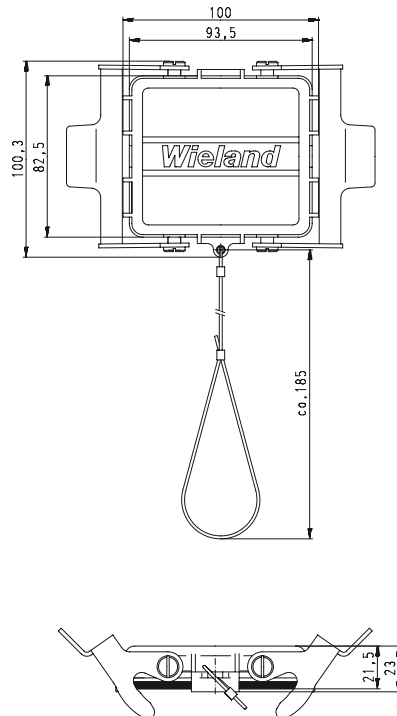
Technical data	
Material	Die cast aluminum
Surface	Silicon-free
Locking levers	Zinc-plated steel
Gasket	NBR
Degree of protection	IP65

Dimensions


Protective covers without locking levers



Protective cover with locking levers

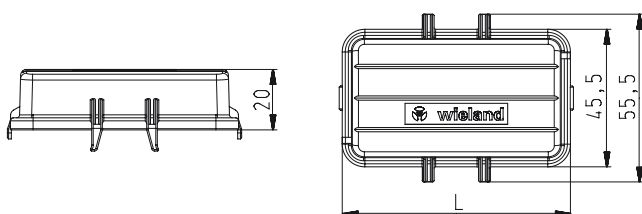


Protective cover for *revos* BASIC Housings Size 6–24



Protective cover latchable	Description	Type	Part No.	P.U.
	Protective cover rastbar			
	Size 6/6H	BAS AD DK 06	Z7.409.7056.0	10
	Size 10/10H	BAS AD DL 10	Z7.409.7156.0	10
	Size 16/16H	BAS AD DL 16	Z7.409.7256.0	10
	Size 24/24H	BAS AD DL 24	Z7.409.7356.0	10
Technical data				
	Material	Polyamide		
	Color	RAL 7001		
	Degree of protection	-		
	Flammability	-		

Dimensions

Protective cover latchable

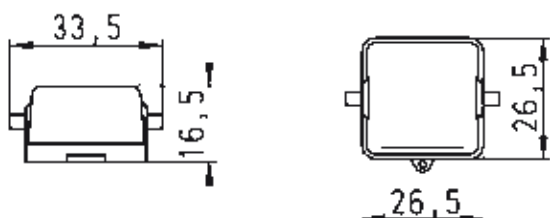


Protective cover for *revos* MINI Housings


Protective cover without gasket	Description	Type	Part No.	P.U.
	Protective cover for <i>revos</i> MINI Housings without gasket for male insert			
	plastic	MIN AD DA 7 P	07.417.6753.0	10
	Metal	MIN AD DA 7 Z	07.417.6729.0	10
with gasket for female insert				
	plastic	MIN AD DB 7 P	07.417.6853.0	10
	Metal	MIN AD DB 7 Z	07.417.6829.0	10
Technical data				
	Material	Die cast zinc alloy/Polyamide		
	Surface	Silicon-free		
	Locking levers	-		
	Gasket	NBR		
	Degree of protection	IP65		
Protective cover with gasket (on the inside)				


Dimensions


Protective cover





Tools and Accessoires

Crimping tool kit	Description	Type	Part No.	P.U.
				
Crimping tool for <i>revos</i> contacts				
Crimping tool without crimping die and positioner			95.101.0800.0	1
Accessoires for crimping tool				
Crimping die				
Crimping die "A"			05.502.2000.0	1
Crimping die "B"			05.502.2100.0	1
Crimping die "C"			05.502.2200.0	1
Crimping die "D"			05.502.2300.0	1
Crimping die "E"			05.502.2400.0	1
Contact positioner				
Contact positioner 1			05.502.3100.0	1
Contact positioner 2			05.502.3200.0	1
Contact positioner 3			05.502.3300.0	1
Contact positioner 4			05.502.3800.0	1
For assignment of contacts to crimping tool see page 295.				

Stripping tool	Description	Type	Part No.	P.U.
				
Tool				
Stripping tool		0.08 – 10mm ² / 28 – 7 AWG	95.350.0100.0	1

Screwdriver	Description	Type	Part No.	P.U.
				
Tool				
Screwdriver		Blade 0.6x3.5 form "B"	06.502.4000.0	5
For use with contact inserts and multipole adapters with spring clamp connection				

Jumper bar for <i>revos</i> ^{BASIC} multipole adapters	Description	Type	Part No.	P.U.
				
Jumper bar for <i>revos</i>^{BASIC} multipole adapters				
Insulated jumper bar				
Number of poles				
2-pole			Z7.256.0227.0	10
3-pole			Z7.256.0327.0	10
4-pole			Z7.256.0427.0	10
5-pole			Z7.256.0527.0	10
6-pole			Z7.256.0627.0	10
7-pole			Z7.256.0727.0	10
8-pole			Z7.256.0827.0	10
9-pole			Z7.256.0927.0	10
10-pole			Z7.256.1027.0	10
11-pole			Z7.256.1127.0	10
12-pole			Z7.256.1227.0	10
Technical data				
Material		Polyamide		
Rated voltage		500 V		
Rated current		16 A		

Jumper bar for <i>revos</i> ^{HD} multipole adapters	Description	Type	Part No.	P.U.
				
Jumper bar for <i>revos</i>^{HD} multipole adapters				
Insulated jumper bar				
Number of poles				
2-pole			Z7.258.1225.0	10
3-pole			Z7.258.1325.0	10
4-pole			Z7.258.1425.0	10
5-pole			Z7.258.1525.0	10
6-pole			Z7.258.1625.0	10
7-pole			Z7.258.1725.0	10
8-pole			Z7.258.1825.0	10
9-pole			Z7.258.1925.0	10
10-pole			Z7.258.2025.0	10
Technical data				
Material		Polyamide		
Rated voltage		250 V		
Rated current		10 A		

Marking tag carriers

Marking tag carriers for multipole adapters



Description	Type	Part No.	P.U.
Marking tag carriers, complete			
40-pole		Z4.242.3753.0	10
64-pole		Z4.242.4053.0	10
Marking tags			
Single tag, max. 3-digits			
unmarked marking field 8.3x4.5 mm	9705 A	04.242.0850.0	500
marked marking field 8.3x4.5 mm	9705 A B	04.842.0850.0	500
Single tag, max. 8-digits			
unmarked marking field 14x4.5 mm	9705 AL	04.242.1553.0	500
marked marking field 14x4.5 mm	9705 AL B	04.842.1553.0	500
Marking strip with 12 tags, 6.7 mm spacing			
unmarked marking field 8.3x6.45 mm	9705A/6.7/12	04.242.6753.0	25
marked Please indicate the required	9705A/6.7/12 B	04.842.6753.0	25
marked 1 – 9	9705A/6.7/12 B 1-9	99.000.0920.8	25
Marking strip with 12 tags, 6.7 mm spacing			
6-pole marked 1 – 6	9705A/6.7/2X 6 B 1-6	99.002.0920.8	25
10-pole marked 1 – 10	9705A/6.7/12 B 1-10	99.003.0920.8	25
16-pole marked 1 – 16	9705A/6.7/2X12 B 1-16	99.004.0920.8	25
24-pole marked 1 – 24	9705A/6.7/2X12 B 1-24	99.005.0920.8	25

45° Marking tag carrier



Description	Type	Part No.	P.U.
Marking tag carriers			
2x4-digits, 45°	9705 A/4 W	04.242.2853.0	200
Marking tags			
Single tag, max. 3-digits			
unmarked marking field 8.3x4.5 mm	9705 A	04.242.0850.0	500
marked marking field 8.3x4.5 mm	9705 A B	04.842.0850.0	500
Single tag, max. 8-digits			
unmarked marking field 14x4.5 mm	9705 AL	04.242.1553.0	500
marked marking field 14x4.5 mm	9705 AL B	04.842.1553.0	500
Marking strip with 12 tags, 6.7 mm spacing			
unmarked marking field 8.3x6.45 mm	9705A/6.7/12	04.242.6753.0	25
marked Please indicate the required	9705A/6.7/12 B	04.842.6753.0	25
marked 1 – 9	9705A/6.7/12 B 1-9	99.000.0920.8	25
Marking strip with 12 tags, 6.7 mm spacing			
6-pole marked 1 – 6	9705A/6.7/2X 6 B 1-6	99.002.0920.8	25
10-pole marked 1 – 10	9705A/6.7/12 B 1-10	99.003.0920.8	25
16-pole marked 1 – 16	9705A/6.7/2X12 B 1-16	99.004.0920.8	25
24-pole marked 1 – 24	9705A/6.7/2X12 B 1-24	99.005.0920.8	25

90° Marking tag carrier



Description	Type	Part No.	P.U.
Marking tag carriers			
6-digits, 90°	9705 A/6.7/6-90GRAD	04.242.3053.0	200
complete for			
6-pole multipole adapters	9705 A/6.7/9-90GRAD 3	04.242.3353.0	50
10-pole multipole adapters	9705 A/6.7/6-90GRAD 5	04.242.3453.0	50
16-pole multipole adapters	9705 A/6.7/6-90GRAD 8	04.242.3553.0	25
24-pole multipole adapters	9705 A/6.7/6-90GRAD12	04.242.3653.0	25
Marking tags			
Single tag, max. 3-digits			
unmarked marking field 8.3x4.5 mm	9705 A	04.242.0850.0	500
marked marking field 8.3x4.5 mm	9705 A B	04.842.0850.0	500
Single tag, max. 8-digits			
unmarked marking field 14x4.5 mm	9705 AL	04.242.1553.0	500
marked marking field 14x4.5 mm	9705 AL B	04.842.1553.0	500
Marking strip with 12 tags, 6.7 mm spacing			
unmarked marking field 8.3x6.45 mm	9705A/6.7/12	04.242.6753.0	25
marked Please indicate the required	9705A/6.7/12 B	04.842.6753.0	25



Marking tags

Tear-off marking strip



Description	Contents	Type	Part No.	P.U.
Marking tags-Ast				
unmarked		9704 A	04.241.1150.0	25
marked with the same number				
	10x "1"	9704 A/1 B	04.841.1150.0	25
	10x "2"	9704 A/2 B	04.841.1250.0	25
	10x "3"	9704 A/3 B	04.841.1350.0	25
	10x "4"	9704 A/4 B	04.841.1450.0	25
	10x "5"	9704 A/5 B	04.841.1550.0	25
	10x "6"	9704 A/6 B	04.841.1650.0	25
	10x "7"	9704 A/7 B	04.841.1750.0	25
	10x "8"	9704 A/8 B	04.841.1850.0	25
	10x "9"	9704 A/9 B	04.841.1950.0	25
	10x "0"	9704 A/0 B	04.841.2050.0	25
marked with consecutive numbers	1 2 3 4 5 6 7 8 9 0	9704 A/1-0 B	04.841.2150.0	25
marked with the same uppercase letters				
	10x "A"	9704 A/AG B	04.841.2250.0	25
	10x "B"	9704 A/BG B	04.841.2350.0	25
	10x "C"	9704 A/CG B	04.841.2450.0	25
	10x "D"	9704 A/DG B	04.841.2550.0	25
	10x "E"	9704 A/EG B	04.841.2650.0	25
	10x "F"	9704 A/FG B	04.841.2750.0	25
	10x "G"	9704 A/GG B	04.841.2850.0	25
	10x "H"	9704 A/HG B	04.841.2950.0	25
	10x "I"	9704 A/IG B	04.841.3050.0	25
	10x "J"	9704 A/JG B	04.841.3150.0	25
	10x "K"	9704 A/KG B	04.841.3250.0	25
	10x "L"	9704 A/LG B	04.841.3350.0	25
	10x "M"	9704 A/MG B	04.841.3450.0	25
	10x "N"	9704 A/NG B	04.841.3550.0	25
	10x "O"	9704 A/OG B	04.841.3650.0	25
	10x "P"	9704 A/PG B	04.841.3750.0	25
	10x "Q"	9704 A/QG B	04.841.3850.0	25
	10x "R"	9704 A/RG B	04.841.3950.0	25
	10x "S"	9704 A/SG B	04.841.4050.0	25
	10x "T"	9704 A/TG B	04.841.4150.0	25
	10x "U"	9704 A/UG B	04.841.4250.0	25
	10x "V"	9704 A/VG B	04.841.4350.0	25
	10x "W"	9704 A/WG B	04.841.4450.0	25
	10x "X"	9704 A/XG B	04.841.4550.0	25
	10x "Y"	9704 A/YG B	04.841.4650.0	25
	10x "Z"	9704 A/ZG B	04.841.4750.0	25



Marking tags

Tear-off marking strip



Description	Contents	Type	Part No.	P.U.
marked with the same lowercase letters				
	10x "a"	9704 A/AK B	04.841.4850.0	25
	10x "b"	9704 A/BK B	04.841.4950.0	25
	10x "c"	9704 A/CK B	04.841.5050.0	25
	10x "d"	9704 A/DK B	04.841.5150.0	25
	10x "e"	9704 A/EK B	04.841.5250.0	25
	10x "f"	9704 A/FK B	04.841.5350.0	25
	10x "g"	9704 A/GK B	04.841.5450.0	25
	10x "h"	9704 A/HK B	04.841.5550.0	25
	10x "i"	9704 A/IK B	04.841.5650.0	25
	10x "j"	9704 A/JK B	04.841.5750.0	25
	10x "k"	9704 A/KK B	04.841.5850.0	25
	10x "l"	9704 A/LK B	04.841.5950.0	25
	10x "m"	9704 A/MK B	04.841.6050.0	25
	10x "n"	9704 A/NK B	04.841.6150.0	25
	10x "o"	9704 A/OK B	04.841.6250.0	25
	10x "p"	9704 A/PK B	04.841.6350.0	25
	10x "q"	9704 A/QK B	04.841.6450.0	25
	10x "r"	9704 A/RK B	04.841.6550.0	25
	10x "s"	9704 A/SK B	04.841.6650.0	25
	10x "t"	9704 A/TK B	04.841.6750.0	25
	10x "u"	9704 A/UK B	04.841.6850.0	25
	10x "v"	9704 A/VK B	04.841.6950.0	25
	10x "w"	9704 A/WK B	04.841.7050.0	25
	10x "x"	9704 A/XK B	04.841.7150.0	25
	10x "y"	9704 A/YK B	04.841.7250.0	25
	10x "z"	9704 A/ZK B	04.841.7350.0	25
marked with the same symbols				
	10x "+"	9704 A/+ B	04.841.7450.0	25
	10x "-"	9704 A/- B	04.841.7550.0	25
	10x "/"	9704 A// B	04.841.7650.0	25
	10x "."	9704 A/. B	04.841.7750.0	25
Large packs				
Same numbers = 10 x 25 strips = 2500 tags	1 1 1 ... 0 0 0	111..BIS 000..	04.841.9050.0	1
Uppercase letters = 26 x 25 strips = 6500 tags	A A A ... Z Z Z	A BIS Z GB	04.841.9150.0	1
Lowercase letters = 26 x 25 strips = 6500 tags	a a a ... z z z	A BIS Z KB	04.841.9250.0	1



Crimping tool

Description	Type	Part No.	P.U.
Tool			
Crimping tool in the case		95.101.0800.0	
Crimping die	"A"	05.502.2000.0	1
Crimping die	"B"	05.502.2100.0	1
Crimping die	"C"	05.502.2200.0	1
Crimping die	"D"	05.502.2300.0	1
Crimping die	"E"	05.502.2400.0	1
Crimping die	"F"	05.502.2600.0	1
Contact positioner	1	05.502.3100.0	1
Contact positioner	2	05.502.3200.0	1
Contact positioner	3	05.502.3300.0	1
Contact positioner	4	05.502.3800.0	1



Crimping die "A"



Crimping die "B"



Crimping die "C"



Crimping die "D"



Crimping die "E"



Crimping die "F"



Contact positioner 1



Contact positioner 2



Contact positioner 3



Contact positioner 4

